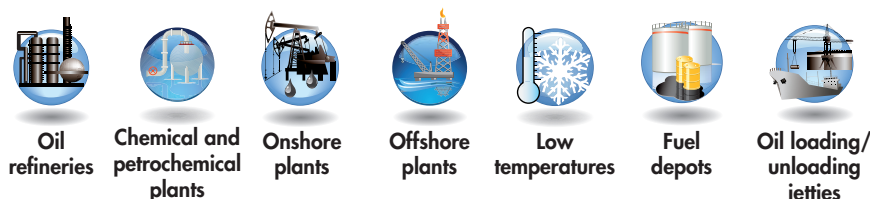




EV series lighting fixtures have been specially designed for use in the petrochemical and oil refining industries as they combine beauty and functionality along with high performance and simplicity in complete compliance with the technological requirements of the "Ex sector". The low copper content aluminium alloy, shockproof borosilicate glass and electropolished stainless steel components make these lighting fixtures ideal for use in environments with corrosive atmospheric agents, salts and industrial pollution. Mechanical characteristics such as ceramic lamp holders with high heat resistance and insulating properties and acid-proof neoprene gaskets guarantee a long working life with little maintenance. Scheduled maintenance work involves simply cleaning the glass that, thanks to its IP66 protection, can be safely cleaned with a wet cloth. As specified in the appropriate installation standard (EN/IEC 60079-14), the entry to the fixture must be only through an Ex "barrier" cable gland (sealed) or, in the case of a conduit system, with an EYS, EZS sealing fittings.

## Application sectors



## CERTIFICATION DATA

<b>Classification:</b>	Group II	Category 2GD		
<b>Installation:</b>	Zone 1 - Zone 2 (Gas)	Zone 21 - Zone 22 (Dust)		
<b>Marking:</b>	CE 0722 Ex II 2GD Ex d IIC T.. Gb - Ex tb IIIC T.. °C Db IP66			
<b>Certification:</b>	ATEX	CESI 12 ATEX 006		
	IEC Ex	CES 07.0004	All IEC Ex and TR CU certification contact <a href="mailto:comm@antideflagrante.com">comm@antideflagrante.com</a>	
	TR CU	AVAILABLE		
<b>Standards:</b>	CENELEC EN 60079-0: 2012, EN 60079-1: 2007, EN 60079-31: 2009 and EUROPEAN DIRECTIVE 2014/34/UE IEC 60079-0: 2011, IEC 60079-1: 2007, IEC 60079-31: 2008 European Directive 2006/95 Low voltage European Directive 2004/108 Electromagnetic compatibility European Directive 2003/108 WEEE Waste electrical and electronic equipment European Directive 2011/64 RoHS			
<b>Class temperature:</b>	See the selection table			
<b>Ambient temperature:</b>	Standard -20°C +60°C	Special -50°C +60°C not possible for model EV...100		
<b>Degree of protection:</b>	IP66			



## EV series Lighting fixtures for traditional and LED lamps



ORIGINAL PRODUCT

### MECHANICAL FEATURES

<b>Body:</b>	Low copper content aluminium alloy
<b>Globe:</b>	Shock and temperature resistant borosilicate glass with aluminium shade ring
<b>Gaskets:</b>	Silicone acid/hydrocarbon resistant
<b>Guard:</b>	Electro-polished stainless steel. Can also be supplied on request without a guard as the lighting fixture has passed the glass breakage test (4 Joule EN60079-0 / IEC60079-0)
<b>Mounting:</b>	See "EV series dimensional drawings"
<b>Bolts and screws:</b>	Stainless steel
<b>Entries:</b>	3/4" NPT threads
<b>Coating:</b>	Polyester coating Ral 7035 (Light grey)
<b>Corrosion Resistance:</b>	The STANDARD of the aluminium alloy used by manufacturer has passed the tests required by standards EN60068-2-30 (hot/humid cycles) and EN60068-2-11 (salt mist tests)

### ELECTRICAL FEATURES

<b>Lamp holder:</b>	E27 or E40 ceramic
<b>Rated voltage:</b>	230 V AC
<b>Rated frequency:</b>	50/60 Hz
<b>Connection:</b>	Direct connection to lamp holder L, N. Section 4mm <sup>2</sup>

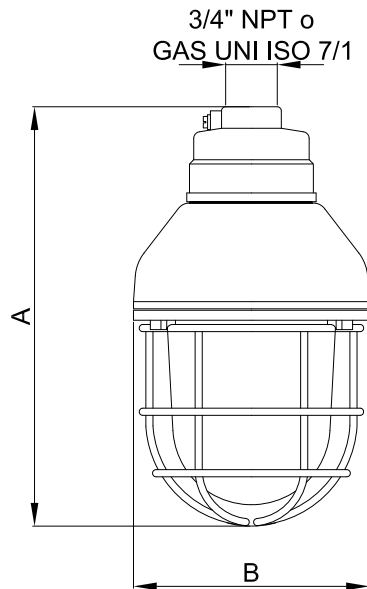
### ACCESSORIES AVAILABLE / SPECIAL REQUESTS

LED lamps  
 External reflector  
 Cable gland: sealed type for armoured cable or for non-armoured cable Warning  
 signs: G-0513  
 GAS UNI ISO 7/1 thread  
 Different rated voltages



Code	Dimensions mm		Lamp type	Lamp holder	Watt	Class Ta=+60°C	Max surface temperature °C	Weight kg	 mm
	A	B							
EVA-5050	261	150	AL	E 27	70	T4	123	2,0	160x150x330
EVA-5050	261	150	AL	E 27	105	T3	154	2,0	160x150x330
EVA-5050	261	150	AL	E 27	140	T3	154	2,0	160x150x330
EVA-5050	261	150	ELS	E 27	15	T6	84	2,0	160x150x330
EVA-5050	261	150	LED	E 27	8	T6	74	2,0	160x150x330
EVA-5060	323	170	EL	E 27	23	T5	86	2,7	190x170x390
EVA-5060	323	170	ELS	E 27	23	T5	86	2,7	190x170x390
EVA-5060	323	170	LED	E 27	12	T6	74	2,7	190x170x390
EVA-5070	354	200	MIX	E 27	100	T3	152	3,7	210x200x430
EVA-5070	354	200	MIX	E 27	160	T3	152	3,7	210x200x430
EVA-5070	354	200	EL	E 27	33	T6	83	3,7	210x200x430
EVA-5080	430	220	MIX	E 40	250	T3	166	6,0	230x220x510
EVA-5080	430	220	ELS	E 27	42	T5	89	6,0	230x220x510
EVA-50100	489	280	ELS	E 40	75	T5	88	8,7	280x280x850
EVA-50100	489	280	ELS	E 40	105	T5	91	8,7	280x280x850
EVA-50100	489	280	MIX	E 40	500	T3	185	8,7	280x280x850

## EVA Pendant mounting



### Key

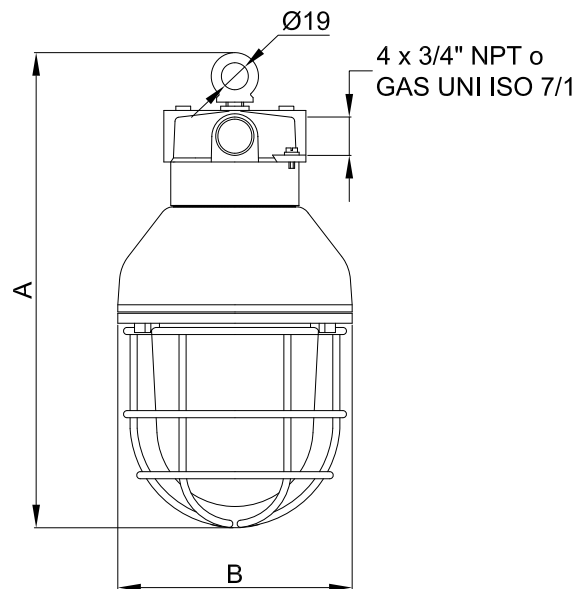
- EL = Linear tubes (FBT)
- AL = Halogen (HSGSA)
- MIX = Mixed light (QB)
- ELS = Spiral tubes (FB)
- LED = With LED (DB)

Dimensions in mm



Code	Dimension mm		Lamp type	Lamp holder	Watt	Class Ta=+60°C	Max surface temperature °C	Weight kg	 mm
	A	B							
EVGC-5050	296	150	AL	E 27	70	T4	123	2,1	160x150x330
EVGC-5050	296	150	AL	E 27	105	T3	154	2,1	160x150x330
EVGC-5050	296	150	AL	E 27	140	T3	154	2,1	160x150x330
EVGC-5050	296	150	ELS	E 27	15	T6	84	2,1	160x150x330
EVGC-5050	296	150	LED	E 27	8	T6	74	2,1	160x150x330
EVGC-5060	358	170	EL	E 27	23	T5	86	2,8	190x170x390
EVGC-5060	358	170	ELS	E 27	23	T5	86	2,8	190x170x390
EVGC-5060	358	170	LED	E 27	12	T6	74	2,8	190x170x390
EVGC-5070	389	200	MIX	E 27	100	T3	152	3,9	210x200x430
EVGC-5070	389	200	MIX	E 27	160	T3	152	3,9	210x200x430
EVGC-5070	389	200	EL	E 27	33	T6	83	3,9	210x200x430
EVGC-5080	465	220	MIX	E 40	250	T3	166	6,2	230x220x510
EVGC-5080	465	220	ELS	E 27	42	T5	89	6,2	230x220x510
EVGC-50100	524	280	ELS	E 40	75	T5	88	9,2	280x280x850
EVGC-50100	524	280	ELS	E 40	105	T5	91	9,2	280x280x850
EVGC-50100	524	280	MIX	E 40	500	T3	185	9,2	280x280x850

### EVGC Pendant mounting with eyebolt




#### Key

EL = Linear tubes (FBT)  
 AL = Halogen (HSGSA)  
 MIX = Mixed light (QB)  
 ELS = Spiral tubes (FB)  
 LED = With LED (DB)

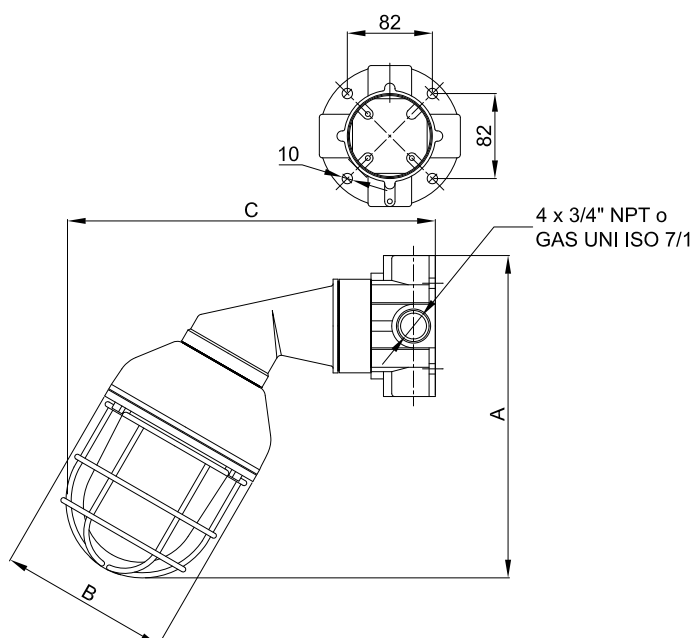
Dimensions in mm

[comm@antideflagrantgce.com](mailto:comm@antideflagrantgce.com)



Coce	Dimensioi mm			Lamp type	Lamp holder	Watt	Class Ta=+60°C	Max surface temperature °C	Weight kg	 mm
	A	B	C							
EVIX-5050	285	150	310	AL	E 27	70	T4	123	2,9	190x170x390
EVIX-5050	285	150	310	AL	E 27	105	T3	154	2,9	190x170x390
EVIX-5050	285	150	310	AL	E 27	140	T3	154	2,9	190x170x390
EVIX-5050	285	150	310	ELS	E 27	15	T6	84	2,9	190x170x390
EVIX-5050	285	150	310	LED	E 27	8	T6	74	2,9	190x170x390
EVIX-5060	339	170	344	EL	E 27	23	T5	86	3,7	260x210x490
EVIX-5060	339	170	344	ELS	E 27	23	T5	86	3,7	260x210x490
EVIX-5060	339	170	344	LED	E 27	12	T6	74	3,7	260x210x490
EVIX-5070	368	200	365	MIX	E 27	100	T3	152	4,7	260x210x490
EVIX-5070	368	200	365	MIX	E 27	160	T3	152	4,7	260x210x490
EVIX-5070	368	200	365	EL	E 27	33	T6	83	4,7	260x210x490
EVIX-5080	435	220	409	MIX	E 40	250	T3	166	7,5	240x240x700
EVIX-5080	435	220	409	ELS	E 27	42	T5	89	7,5	240x240x700
EVIX-50100	488	280	448	ELS	E 40	75	T5	88	8,7	280x280x850
EVIX-50100	488	280	448	ELS	E 40	105	T5	91	8,7	280x280x850
EVIX-50100	488	280	448	MIX	E 40	500	T3	185	8,7	280x280x850

## EVIX Wall mounting with 30° bracket



### Key

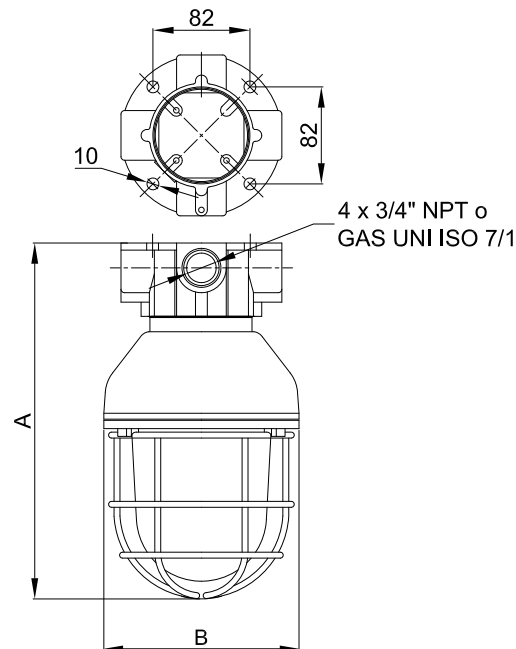
- EL = Linear tubes (FBT)
- AL = Halogen (HSGSA)
- MIX = Mixed light (QB)
- ELS = Spiral tubes (FB)
- LED = With LED (DB)

Dimensions in mm



Code	Dimension mm		Lamp type	Lamp holder	Watt	Class Ta=+60°C	Max surface temperature °C	Weight kg	 mm
	A	B							
EVX-5050	260	150	AL	E 27	70	T4	123	2,4	160x150x330
EVX-5050	260	150	AL	E 27	105	T3	154	2,4	160x150x330
EVX-5050	260	150	AL	E 27	140	T3	154	2,4	160x150x330
EVX-5050	260	150	ELS	E 27	15	T6	84	2,4	160x150x330
EVX-5050	260	150	LED	E 27	8	T6	74	2,4	160x150x330
EVX-5060	322	170	EL	E 27	23	T5	86	3,2	190x170x390
EVX-5060	322	170	ELS	E 27	23	T5	86	3,2	190x170x390
EVX-5060	322	170	LED	E 27	12	T6	74	3,2	190x170x390
EVX-5070	353	200	MIX	E 27	100	T3	152	4,2	210x200x430
EVX-5070	353	200	MIX	E 27	160	T3	152	4,2	210x200x430
EVX-5070	353	200	EL	E 27	33	T6	83	4,2	210x200x430
EVX-5080	429	220	MIX	E 40	250	T3	166	6,6	230x220x510
EVX-5080	429	220	ELS	E 27	42	T5	89	6,6	230x220x510
EVX-50100	488	280	ELS	E 40	75	T5	88	9,6	280x280x850
EVX-50100	488	280	ELS	E 40	105	T5	91	9,6	280x280x850
EVX-50100	488	280	MIX	E 40	500	T3	185	9,6	280x280x850

## EVX Ceiling mounting



## Key

EL = Linear tubes (FBT)  
 AL = Halogen (HSGSA)  
 MIX = Mixed light (QB)  
 ELS = Spiral tubes (FB)  
 LED = With LED (DB)

Dimensions in mm

## DON'T FORGET TO ORDER THE ACCESSORIES

e.g. Type of lighting fixture  
EVA-5060


Lamp  
LAMP-PL23

Dome reflector  
G60-427D

+ other... see key





ILLUSTRATION	DESCRIPTION	MODEL	FEATURES	CODE	KEY
	LED lamp	E27	8 W (DB8W)	LAMPLED8W	 
		E27	12 W (DB12W)	LAMPLED12W	
	Warning signs on request on the frame	50	Materials: Translucent film on plexiglass and aluminium frame	G-0513	 
		60		G-0513/1	
	Emergency Exit	G-0513 G-0513/1	Materials: Translucent film	U-420/P	 
	Emergency Exit on the right			U-420/P1	
	Emergency Exit on the left			U-420/P2	
	Emergency Exit upward			U-420/P3	
	Emergency Exit downward			U-420/P4	

[comm@antideflagrante.com](mailto:comm@antideflagrante.com)



ILLUSTRATION	DESCRIPTION	MODEL	FEATURES	CODE	KEY
	Cable gland		For models and codes, visit <a href="http://www.antideflagrante.com">www.antideflagrante.com</a>		 
	Reflector	50	White painted aluminium Stainless steel	G50-427 G50-427IN	 
		60	White painted aluminium Stainless steel	G60-427 G60-427IN	
		70	White painted aluminium Stainless steel	G70-427 G70-427IN	
		80	White painted aluminium Stainless steel	G80-427 G80-427IN	
		100	White painted aluminium Stainless steel	G100-427 G100-427IN	
	Dome reflector	50	Contact our Sales Office for availability		 
		60	White painted aluminium	G60-427D	
		70	Contact our Sales Office for availability		
		80	White painted aluminium	G80-427D	
		100	White painted aluminium	G100-427D	
	30° inclined dome reflector	50	Contact our Sales Office for availability		 
		60	White painted aluminium	G60-427DI	
		70	White painted aluminium	G70-427DI	
		80	White painted aluminium	G80-427DI	
		100	Contact our Sales Office for availability		
	Ceramic lamp holder	E27	250V 4A	PORT E-27	
		E40	750V 16A	PORT E-40	
	Protective guard	50	Material: Electro-polished stainless steel	G50-0417	
		60		G60-0417	
		70		G70-0417	
		80		G80-0417	
		100		G100-0417	

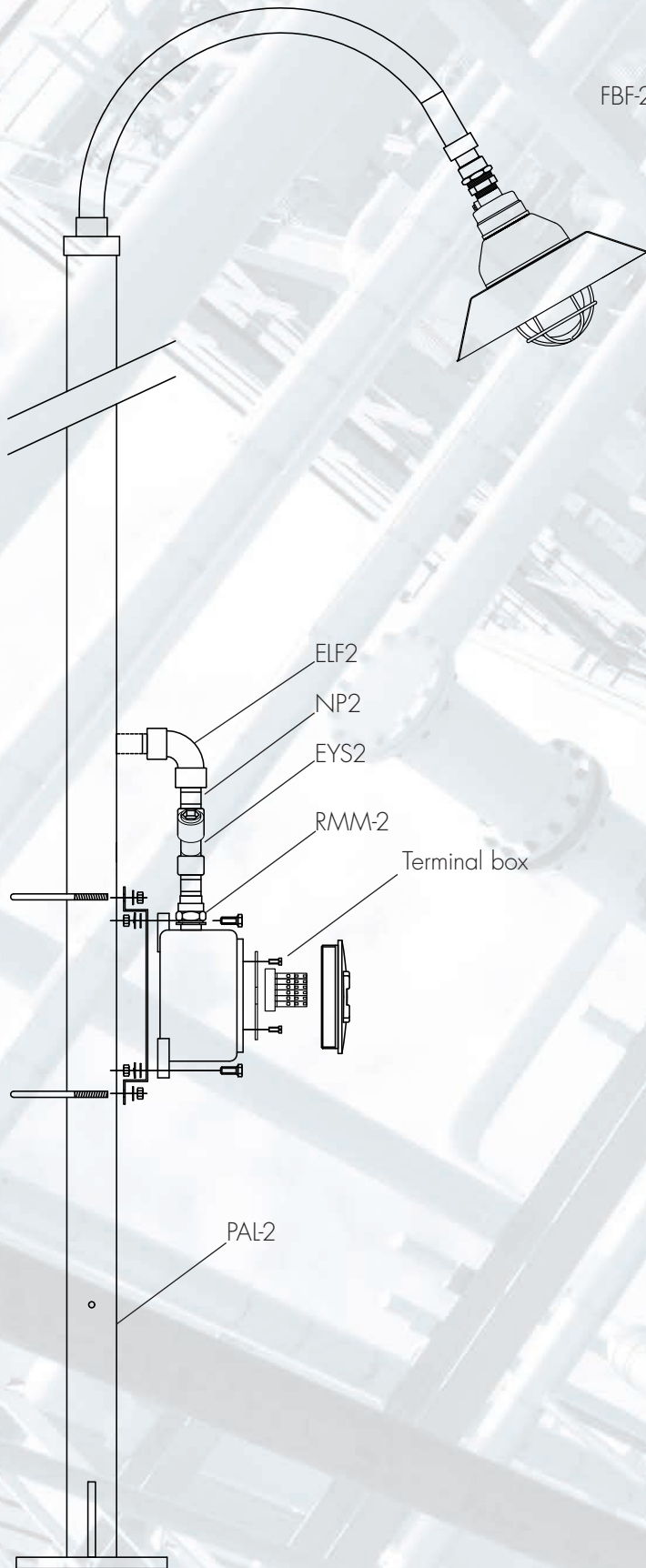




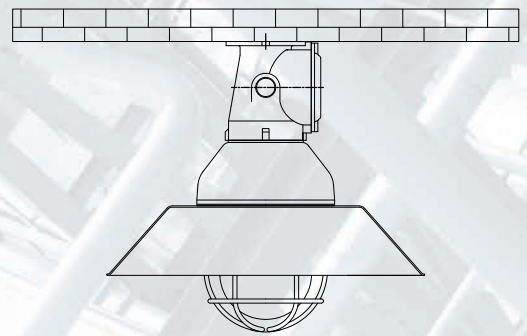
ILLUSTRATION	DESCRIPTION	MODEL	FEATURES	CODE	KEY
	O-ring	Globo 50	Material: silicone	OR-4512SH70S	
		Globo 60		K15-131S	
		Globo 70		K33-131S	
		Globo 80		K34-131S	
		Globo 100		K27-131S	
	Globe with shade ring	50	Borosilicate glass globe Threaded alu- minium shade ring	G50-0440CM	
		60		G60-0440CM	
		70		G70-0440CM	
		80		G80-0440CM	
		100		G100-0440CM	
	Pendant eyebolt		Material: Galvanised steel	G0F-8	
	Pendant mounting EVA	50	1 x 3/4" Entry	G-0213	
		60			
		70			
		80			
		100			
	Pendant mounting with eyebolt EVGC	50	4 x 3/4" Entries	G-0216	
		60			
		70			
		80			
		100			
	Ceiling mounting EVX	50	4 x 3/4" Entries	G-0214	
		60			
		70			
		80			
		100			
	Wall mounting with bracket EV IX	50	4 x 3/4" Entries	G-0215	
		60			
		70			
		80			
		100			



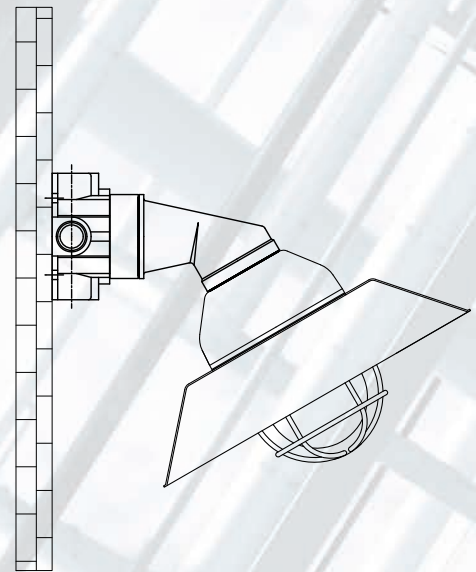
Example of pole mounting

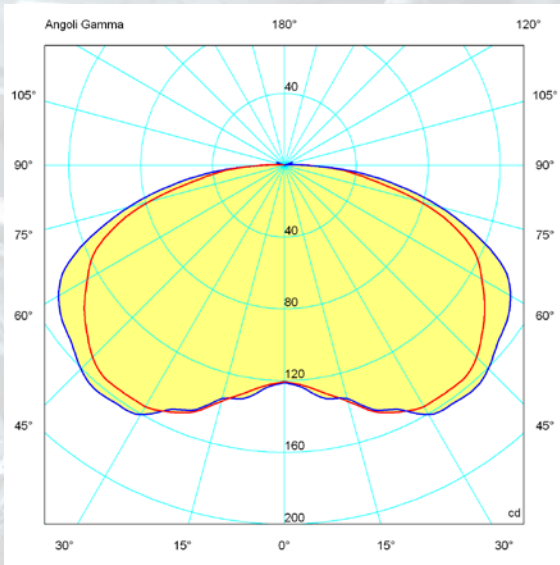


Example of ceiling mounting

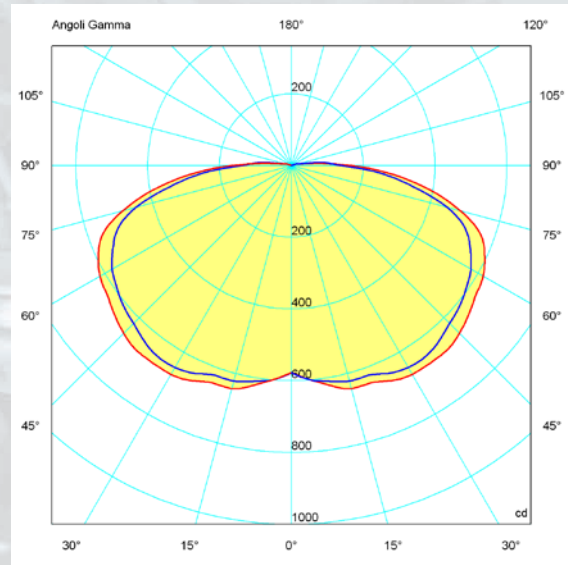


Example of wall mounting

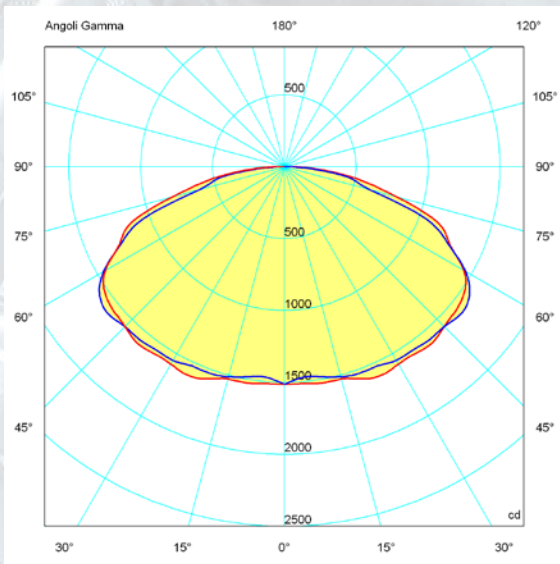




**EVE..5060 23W EL**



**EVE..5060 23W EL**



**EVE..5060 23W EL**

— = plane 90270  
 — = plane 0180