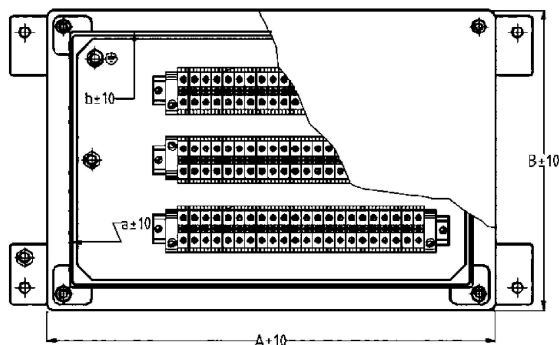
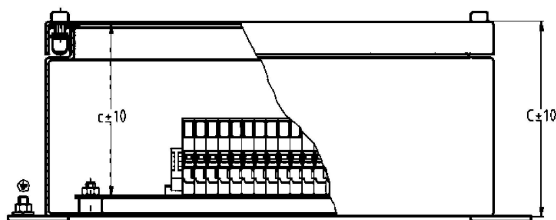
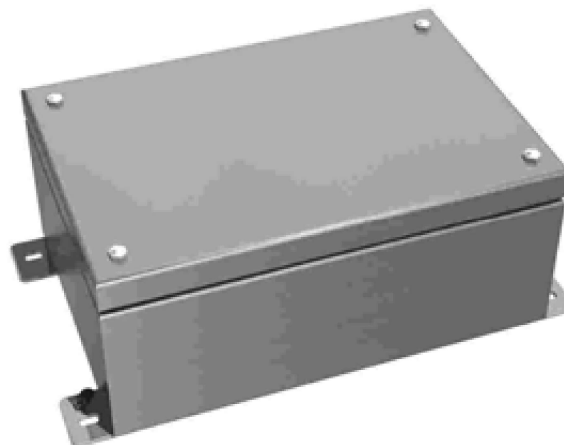
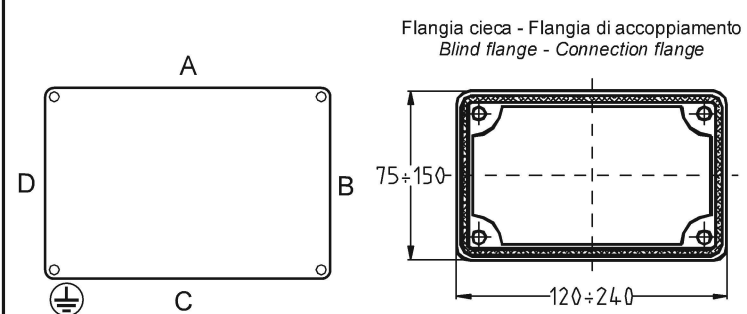


ESECUZIONE: EEx e II II2GD IP65  
 EEx E [ia] IIC II2(1)GD IP65  
 EEx d [ia] IIC II1GD IP65  
 CERTIFICATO: KEMA 01ATEX2243  
 zona 1 - zona 2 - zona 21 - zona 22 - zona 0 - zona 20  
 Caratteristiche : Custodia con guarnizione in EPDM  
 e viti in acciaio inox  
 Materiali : Acciaio inox spessore 10/10  
 T amb. standard -40°C +40°C - T6 (T 80°C)  
 -40°C +60°C - T5 (T 95°C)  
 T amb. special -50°C +80°C - T4 (T 130°C)  
 guarnizione in silicone

EXECUTION: EEx e II II2GD IP65  
 EEx E [ia] IIC II2(1)GD IP65  
 EEx d [ia] IIC II1GD IP65  
 CERTIFICATE: KEMA 01ATEX2243  
 zone 1 - zone 2 - zone 21 - zone 22 - zone 0 - zone 20  
 Features : Enclosure with EPDM gasket and  
 stainless steel fastening screw  
 Materials : Stainless steel tickness 10/10  
 T amb. standard -40°C +40°C - T6 (T 80°C)  
 -40°C +60°C - T5 (T 95°C)  
 T amb. special -50°C +80°C - T4 (T 130°C)  
 silicon gasket



| DENOM.<br>DESIG. | DIMENSIONI ESTERNE<br>EXTERNAL DIMENSIONS |     |     | DIMENSIONI INTERNE<br>INTERNAL DIMENSIONS |     |     |
|------------------|---|-----|-----|---|-----|-----|
|                  | sigla                                     | A   | B   | C   | a   | b   |
| GWY 99           | 90  | 90  | 90  | 56  | 56  | 75  |
| GWY 149          | 140                                       | 90  | 90  | 106                                       | 56  | 75  |
| GWY 209          | 200                                       | 90  | 90  | 166                                       | 56  | 75  |
| GWY 269          | 260                                       | 90  | 90  | 226                                       | 56  | 75  |
| GWY 1616         | 160                                       | 160 | 110 | 126                                       | 126 | 95  |
| GWY 2020         | 200                                       | 200 | 110 | 166                                       | 166 | 95  |
| GWY 2520         | 250                                       | 200 | 130 | 216                                       | 166 | 115 |
| GWY 2525         | 250                                       | 250 | 130 | 216                                       | 216 | 115 |
| GWY 3020         | 300                                       | 200 | 130 | 266                                       | 166 | 115 |
| GWY 4030         | 400                                       | 300 | 150 | 366                                       | 266 | 135 |



|   |   |   |
|---|---|---|
| Tensione nominale massima<br><i>Maximum rated voltage</i> | Corrente nominale massima<br><i>Maximum rated current</i> | Sezione nominale massima<br><i>Maximum terminal cross section</i> |
| max 800 [ V ]   | max 500 [ A ]   | max 300 [ mm <sup>2</sup> ]                                       |

DENOM. / DESIG.      Sezione morsetto mm<sup>2</sup> ( altre configurazioni a richiesta )  
 Terminal cross section mm<sup>2</sup> ( other configuration on request )

|            | 2  |     | 4  |     | 6  |    | 10 |    | 16 |    | 35 |  | 50 |  | 70 |  |
|------------|----|-----|----|-----|----|----|----|----|----|----|----|--|----|--|----|--|
|            |    |     |    |     |    |    |    |    |    |    |    |  |    |  |    |  |
| sigla-item |    |     |    |     |    |    |    |    |    |    |    |  |    |  |    |  |
| GWY 99     | 7  |     | 6  |     | 5  |    | 4  |    | 3  |    |    |  |    |  |    |  |
| GWY 149    | 17 |     | 14 |     | 11 |    | 9  |    | 7  |    |    |  |    |  |    |  |
| GWY 209    | 27 |     | 23 |     | 19 |    | 15 |    | 12 |    |    |  |    |  |    |  |
| GWY 269    | 38 |     | 32 |     | 26 |    | 21 |    | 17 |    |    |  |    |  |    |  |
| GWY 1616   | 20 |     | 17 |     | 14 |    | 11 |    | 9  |    |    |  |    |  |    |  |
| GWY 2020   | 27 | 54  | 23 | 46  | 19 | 38 | 15 | 30 | 12 | 24 | 9  |  |    |  |    |  |
| GWY 2520   | 37 | 74  | 31 | 62  | 25 | 50 | 20 | 40 | 16 | 32 | 12 |  |    |  |    |  |
| GWY 2525   | 37 | 74  | 31 | 62  | 25 | 50 | 20 | 40 | 16 | 32 | 12 |  |    |  |    |  |
| GWY 3020   | 46 | 92  | 39 | 78  | 31 | 62 | 25 | 50 | 21 | 42 | 15 |  |    |  |    |  |
| GWY 4030   | 64 | 128 | 54 | 108 | 44 | 88 | 35 | 70 | 29 | 58 | 22 |  | 19 |  | 17 |  |