

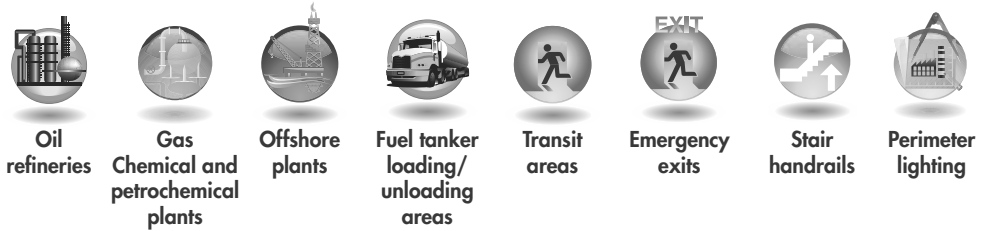


CCA-03EX Lighting fixtures for safety warnings

The LED lighting fixtures for safety warnings CCA-03EX series is designed for installation in areas with risk of explosion where lighting may be stopped due to abnormal, unusual or accidental situations.

The CCA-03EX lighting fixture can be installed in indoor and outdoor environments and it can operate both in normal and emergency service, with a maximum duration of about 2 hours. In case of interruption of the supply voltage, electronics automatically turn on the lighting fixture. The optimal placement of the terminal strip allows a simple wiring, with the possibility of installing more equipment thanks to two threaded hubs studied for the through-wiring. CCA-03EX lighting fixture has a compact size and features two directional LED spotlights. The use of LED COB (Chip on Board) as light source, housed in a junction box with IP66 protection, allows high performance in terms of lumens, low maintenance costs and long life. The presence of reflectors specifically designed for this type of source allows to increase the lighting performance and to direct the light in a well-precise areas thanks to the directionality of the system. Battery replacement after a fault in the emergency circuit or due to battery exhaustion, is indicated by the red LED turning off. In case of emergency, the red LED turns off by activating the LED COB power supply through the battery.

Application sectors:



CERTIFICATION DATA

Classification:	Group II	Category 2GD		
Installation: EN 60079.14	zone 1 - zone 2 (Gas)	zone 21 - zone 22 (Dust)		
Marking:	CE 0722 Ex II 2GD Ex d IIC T6 Gb - Ex tb IIIC T85°C Db IP66			
Certification:	ATEX CML 15 ATEX 1007			
	IEC Ex CML 15.0002	All IEC Ex, TR CU and INMETRO certification data contact comm@antideflagrante.com		
	TR CU AVAILABLE			
	INMETRO DNV 16.0173 X			
Standards:	CENELEC EN 60079-0: 2012, EN 60079-1: 2007, EN 60079-31: 2014 and EUROPEAN DIRECTIVE 2014/34/UE IEC 60079-0: 2011, IEC 60079-1: 2014-06, IEC 60079-31: 2013			
Class temperature:	85°C (T6)			
Ambient temperature:	Standard -20°C +55°C			
Degree of protection:	IP66			



CCA-03EX Lighting fixtures for safety warnings

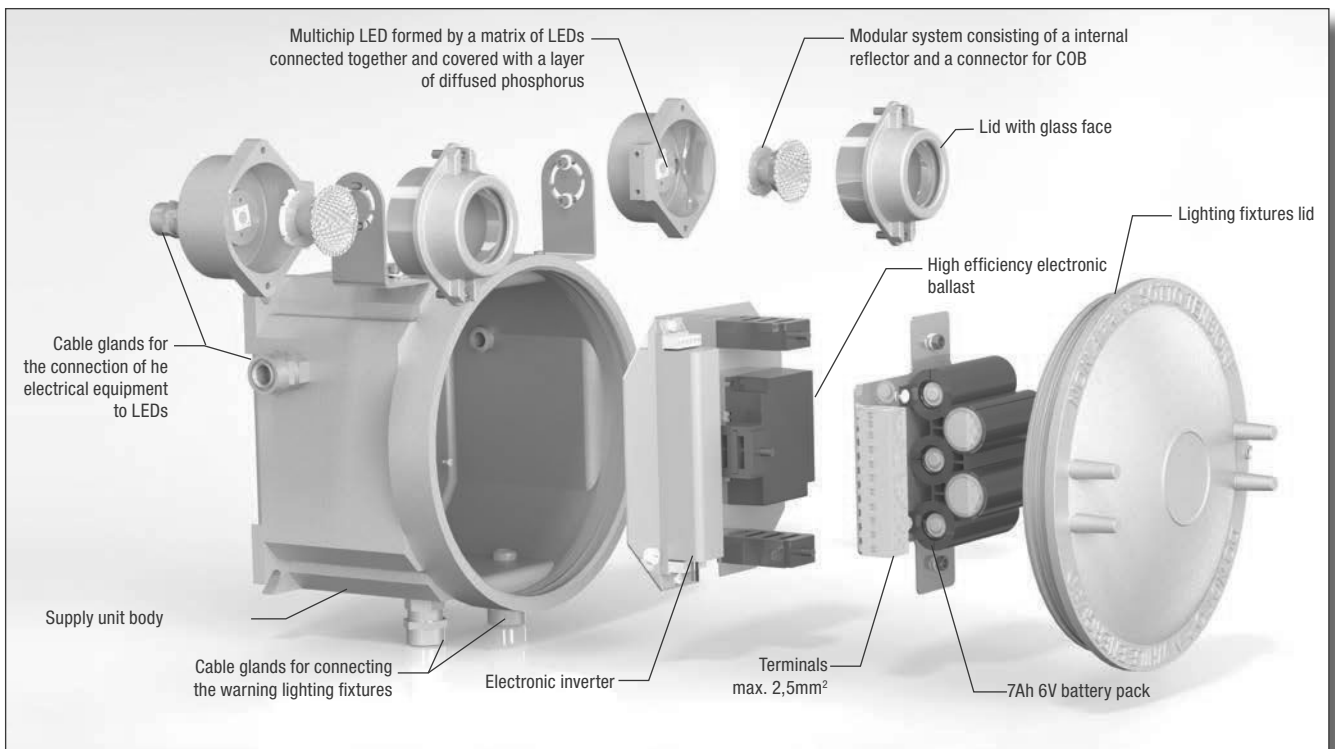


MECHANICAL FEATURES

ORIGINAL PRODUCT

Body and lid:	Low copper content aluminium alloy
Internal frames:	Stainless steel
External adjustable brackets:	Stainless steel
Glass face:	Shock and temperature resistant tempered glass
Gaskets:	Acid and hydrocarbon resistant silicone
Bolts and screws:	Stainless steel
Assembly:	See "Dimensional drawing CCA-03EX"
Entries:	2 x 1/2" NPT entries. Fixture kit with n.1 plug and n.2 barrier cable gland Polyester coating Ral 7035 (Light grey)
Coating:	The STANDARD of the aluminium alloy used by manufacturer has passed the tests required by standards EN60068-2-30 (hot/humid cycles) and EN60068-2-11 (salt mist tests)
Corrosion Resistance :	

EXPLODED DIAGRAM OF CCA-03EX LIGHTING FIXTURES FOR SAFETY WARNINGS





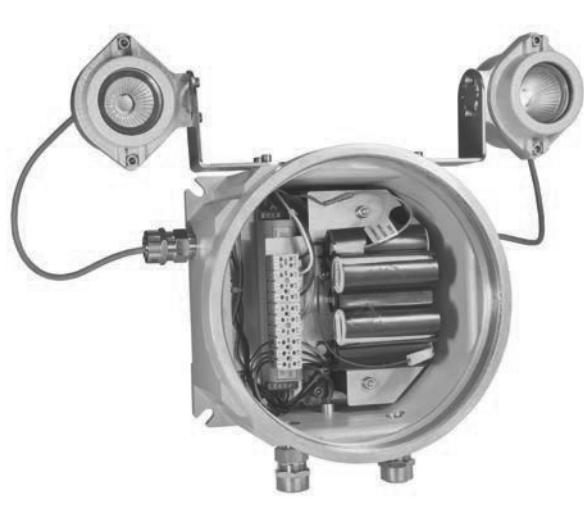
CCA-03EX Lighting fixtures for safety warnings

Electrical features	CCA-03EX
Power supply:	110-240 Vac ±10%
Rated frequency:	50-60 Hz ±5%
Power consumption:	20 W
Connection:	Direct connection to terminal board L, N, PE. Section 2,5 mm ² , suitable for loop-in/loop-out
Power factor:	>0,90
Rated current:	100 mA
EMC (electromagnetic compatibility):	EN 55015, EN 61000-3-2, EN 61000-4-..., EN 61547
THD (total harmonic distortion):	<20% 100-277 Vac
Over-voltage protection:	2 kV
Driver performances:	Over-Voltage protection, Over-Current protection, Short-Circuit protection
Battery:	7 Ah, 6 V. Discharge time 2 hours
Photometric features	
LED Multichip:	Cree CXA
Viewing angle:	30°
Colour temperature:	3500 K
CRI:	80
Instant Restrike:	YES
Lumen:	595 lm (x2)
Maximum light intensity:	1968 cd (x2)
Overall efficiency:	59,5 lm/W



DETAIL OF LED SPOTLIGHTS

LED spotlights adjustable both horizontally and vertically to allow the directionality of light.



INSIDE VIEW

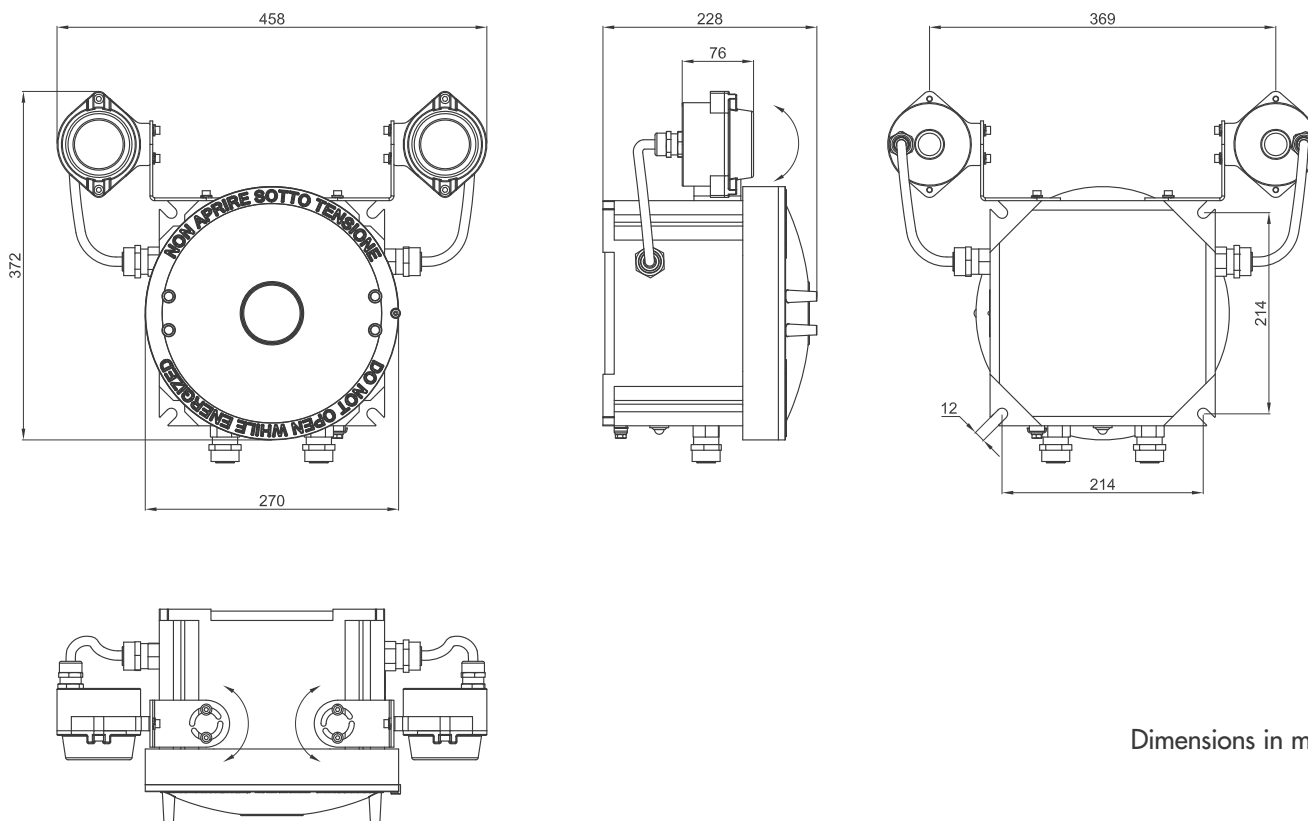
Internal electrical part completely wired with silicone rubber cables with protective glass braid for high temperatures.



CCA-03EX Lighting fixtures for safety warnings

Code	Type Lamp	Watt	Class	Max surface temperature °C	Weight kg	mm
CCA-03EX	LED	20 W	T6	85	14	

DIMENSIONAL DRAWING







Dimensions in mm

ILLUSTRATION	DESCRIPTION	FEATURES	CODE	KEY
	Driver	110-240 Vac	LEDDCCA-03EX	
	Electronic inverter	90/264 V	INVDCCA-03EX	
	Battery pack	7 Ah 6V NiCd	G-0309	

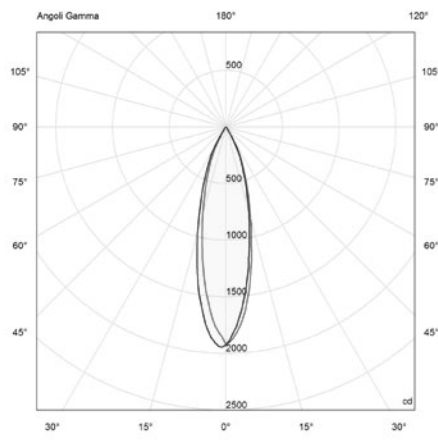


CCA-03EX Lighting fixtures for safety warnings

ILLUSTRATION	DESCRIPTION	FEATURES	CODE	KEY
	Lid with glass face	Material: aluminium lid tempered glass	M-0390	
	Gasket between body and cover	Material: silicone	K27-131S	



Example of lighting design made using CCA-03EX lighting fixtures for safety warnings



CCA-03EX Luminous flux: 600 lm



— = plane 90270
 - - - = plane 0180