

Cable gland series NEV for armoured cables from 3/8" to 4"

NEV series cable glands are suitable for use in areas with the risk of explosion, allowing the direct insertion of non-armoured cables in explosion proof enclosures. They are supplied with a sealing ring which is stretched over the cable at the inlet to guarantee 'Ex d' execution, and a second compression ring which is stretched over the cable armour at the outlet to guarantee an IP 66/68 protection rating. The result is a cable gland which provides maximum performance in terms of reliability and safety over time, is compatible with a wide range of the main, commercially available cables, and complies with the most recent applicable regulations. Their structure makes them suitable for environments which are particularly difficult, such as marine environments, or where there are subjected to the mechanical stresses and impacts which often occur in heavy industry, where safety is the utmost priority.



Classification: 2014/34/EU	Group II	Category 2GD/3G
Installation: EN 60079.14	zone 1 - zone 2 (Gas)	zone 21 - zone 22 (Dust)
Marking:	CE 0722 (Ex) II 2 GD - Ex db IIC Gb - Ex eb IIC Gb II 2 D - Ex tb IIIC Db II 3G Ex nR IIC Gc - IP66/68	
Certification:	ATEX (category 2):	IMQ 17 ATEX 016X
	ATEX (category 3):	IMQ 17 ATEX 017X
	IEC Ex	IECEx IMQ 17.0010X
	TR CU	AVAILABLE contact comm@antideflagranti.ge.com
Standards:	CENELEC EN 60079-0: 2012+A11:2013, EN 60079-1: 2016, EN 60079-7: 2015, EN 60079-15: 2012, EN 60079-31: 2015 and EUROPEAN DIRECTIVE 2014/34/EU IEC60079-0: 2011 IEC60079-1: 2014 IEC60079-7: 2015 IEC60079-15: 2015 IEC60079-31: 2013 RoHS Directive 2002/95/EC	
Operating temperature:	-60 °C +130 °C	
Protection rating:	IP66/68 (30 metres - 12 hours)	
Design	BS 6121: Part 1:1989, IEC 62444, EN 62444	

Interactive Point



See Video with assembly instructions for NEV.. (light armoured)



See Video with assembly instructions for NEV.. (heavy armoured)

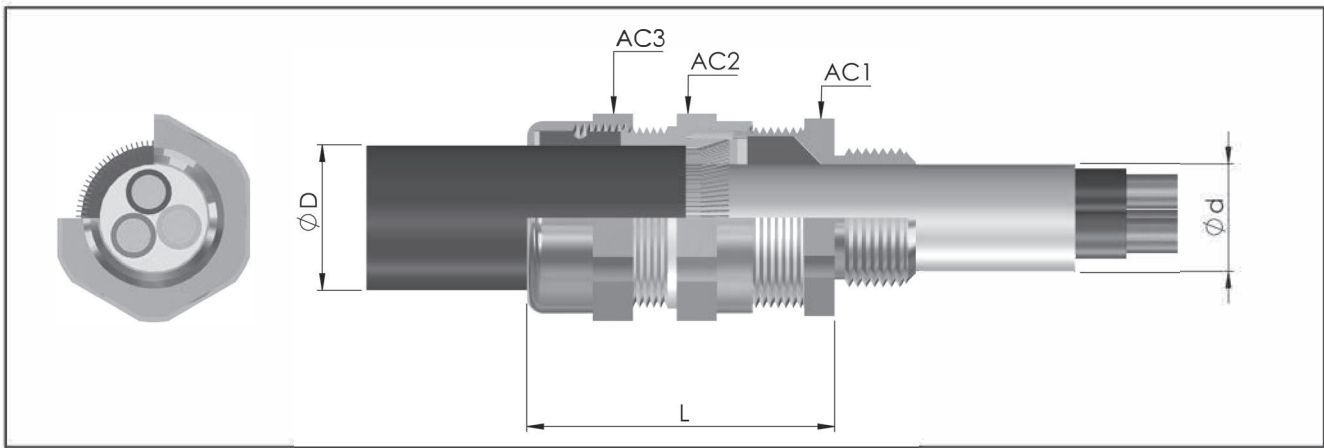
ACCESSORIES UPON REQUEST

Locknuts	ISO thread	Nickel-plated brass	Galvanized steel	Stainless steel	Sealing ring for flat/healing cables	Black IPV protector	CG	Code
	M16x1,5	DL01B	DL01G	DL01S			NEV01NB	PGA1F
	M20x1,5	DL11B	DL11G	DL11S			NEV1SNB	PGA1N
	M25x1,5	DL21B	DL21G	DL21S			NEV1NB	PGA1
	M32x1,5	DL31B	DL31G	DL31S			NEV2NB	PGA2N
	M40x1,5	DL41B	DL41G	DL41S			NEV3NB	PGA4
	M50x1,5	DL51B	DL51G	DL51S			NEV4NB	PGA5
	M63x1,5	DL61B	DL61G	DL61S			NEV5SNB	PGA5
	M75x1,5	DL71B	DL71G	DL71S			NEV5NB	PGA5N
	M90x1,5	DL81B	DL81G	DL81S			NEV6SNB	PGA6
	M100x1,5	DL101B	DL101G	DL101S			NEV6NB	PGA7
M115x1,5	DL1151B	DL1151G	DL1151S	NEV7SNB	GTR7 Heat shrink cable			
				NEV7NB				
				NEV8NB				
				NEV9NB				
				NEV10NB				
Nickel-plated brass earthing rings	ISO thread	Nickel-plated brass	Stainless steel	Serrated stainless steel lock washers	Code	Adapters and reducers of the RE... series		
	M16x1,5	A0131B	A0131S		RDI01S/A4			
	M20x1,5	A13111B	A13111S		RDI1S/A4			
	M25x1,5	A23121B	A23121S		RDI2S/A4			
	M32x1,5	A33131B	A33131S		RDI3S/A4			
	M40x1,5	A43141B	A43141S		RDI4S/A4			
	M50x1,5	A53151B	A53151S		RDI5S/A4			
	M63x1,5	A63161B	A63161S		RDI6S/A4			
	M75x1,5	A731B	A731S					
	M90x1,5	A831B	A831S					
	M100x1,5	A1031101B	A1031101S					
M115x1,5	A1031B	A1031S						

* For different threads, contact the sales department.

comm@antideflagranti.ge.com

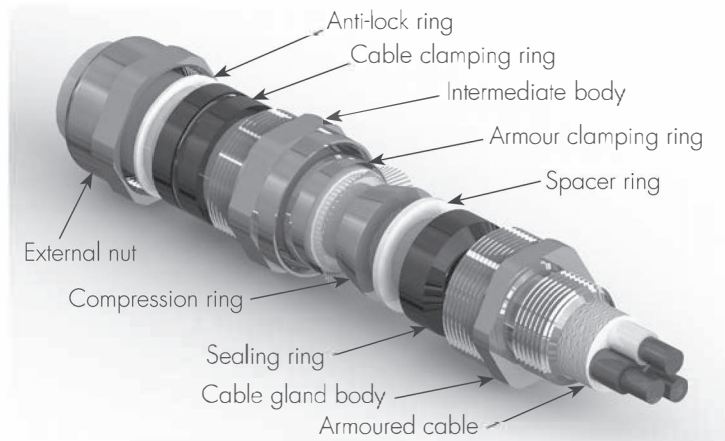
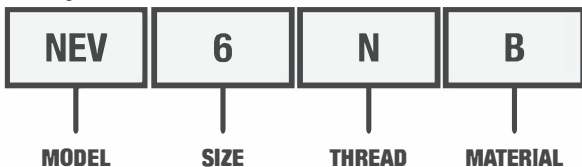




CABLE GLAND SELECTION TABLE

Code Nickel-plated brass	Thread	Code Nickel-plated brass	Thread	Dimensions in mm				Range		Armour thickness	Weight Kg
				AC1	AC2	AC3	L	Ød min-max Internal cable sheath	ØD min-max Outer sheath of the cable		
NEV01NB	3/8" NPT	NEV16IB	M16x1,5	24	24	24	59	3.5 - 8.6	6 - 13.2	0.2 - 1.3	0,145
NEV1SNB	1/2" NPT	NEV20SIB	M20x1,5	24	26	26	59	6.3 - 11.6	9.5 - 16	0.2 - 1.3	0,157
NEV1NB	1/2" NPT	NEV20IB	M20x1,5	30	32	32	61	6.5 - 14	12.5 - 21	0.2 - 1.4	0,215
NEV2NB	3/4" NPT	NEV25IB	M25x1,5	36	38	38	61	11 - 20	20 - 27.5	0.2 - 1.6	0,261
NEV3NB	1" NPT	NEV32IB	M32x1,5	45	47	47	72	17 - 27	23.5 - 34	0.2 - 2.0	0,433
NEV4NB	1 ¼" NPT	NEV40IB	M40x1,5	50	52	52	73	22 - 32	26 - 40	0.2 - 2.2	0,514
NEV5SNB	1 ½" NPT	NEV50SIB	M50x1,5	55	57	57	80	29.5 - 38	35 - 46.5	0.2 - 2.5	0,610
NEV5NB	2" NPT	NEV50IB	M50x1,5	60	62	62	81	35.5 - 44	38 - 53	0.2 - 2.5	0,562
NEV6SNB	2" NPT	NEV63SIB	M63x1,5	68	75	77	91	40 - 50	45.5 - 59.5	0.2 - 2.5	1,151
NEV6NB	2 ½" NPT	NEV63IB	M63x1,5	73	80	82	93	47 - 56	54.5 - 66	0.2 - 2.5	1,100
NEV7SNB	2 ½" NPT	NEV75SIB	M75x1,5	80	85	90	97	53 - 62	57 - 72	0.2 - 2.8	1,308
NEV7NB	3" NPT	NEV75IB	M75x1,5	85	95	100	99	59 - 68	66.5 - 78.5	0.2 - 2.8	1,538
NEV8NB	3" NPT	NEV90IB	M90x1,5	100	105	110	104	66 - 79	76.5 - 90	0.2 - 2.8	2,000
NEV9NB	3 ½" NPT	NEV100IB	M100x1,5	115	120	120	111	76 - 91	86 - 101	0.2 - 3.3	2,381
NEV10NB	4" NPT	NEV115IB	M115x1,5	120	125	130	112	86 - 98	100 - 110	0.2 - 3.5	2,783

Sample order code



TECHNICAL NOTES:

- Silicone o-rings are supplied for cylindrical threads (ISO metric) for the pre-assembled IP seal on the cable gland
- The ISO7/1 thread version is available upon request (sample code NEV1B)
- Also available in stainless steel (sample code NEV1S)
- Other materials on request
- For "Ex i" intrinsic safety version, RAL 5015 blue nut (sample code NEV1SIA)
- Internal ring for armoured cables with larger cross-section