

PAPD Cable glands for armoured, lead sheathed cables

Explosion Proof Electrical Equipment



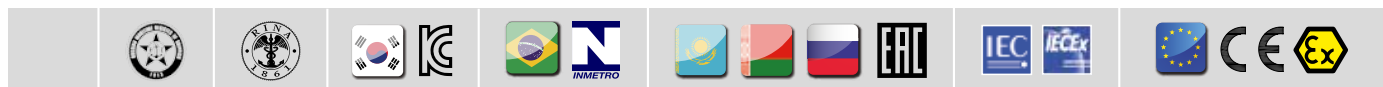
Ex Cable Glands

Installation: hazardous areas - Zone 1 / 2 (Gases) - Zone 21 / 22 (Dusts)

Classification: Group II - Category 2G 2D



PAPD



REFERENCE STANDARDS

Directive 94/9/EC (until April 19th, 2016) and Directive 2014/34/EU (from April 20th, 2016)

EXECUTION	Ⓢ II 2 G Ex d / Exe / Exia IIC Gb Ⓢ II 2 D Ex tb IIIC Db
RULES OF COMPLIANCE	EN/IEC 60079-0; EN/IEC 60079-1; EN/IEC 60079-7; EN/IEC 60079-31
EC Type-Examination Certificate	INERIS 09 ATEX 0028X
PROTECTION DEGREE	IP66 or IP66/68
AMBIENT TEMPERATURE	-40°C ÷ +90°C (Rubber rings EPDM-60) -60°C ÷ +180°C (Rubber rings SILICON)
OTHER AVAILABLE CERTIFICATES	IECEx: IECEx INE 11.0017X INMETRO: CEPEL 12.2177X EAC: TC RU C-IT.Г508.B 01624 (-75°C ÷ +180°C) RINA: ELE18111CS_016 RUSSIAN MARINE CERTIFICATE (RMRS): 13.03518.315 Kc (Korean certification):14-KB4B0-0455X

Mechanical characteristics

Body / cap	OT-58 marine brass (ON) - AISI-316L stainless steel (IX)
Finishes	full nickel plating treatment (brass material only)
Rubber rings	EPDM rubber- 50-60 shore hardness - Silicon rubber - 60 shore hardness
O-ring	silicon rubber - 60 shore hardness
Skid washer	nylon 6.0
Chamber for sealing	OT-58 marine brass ("R" version only)

Applications

- For steel wire armoured cables (swa) for steel tape armoured cables and for lead inner sheath cables
- Double Compression Type For Indoor And Outdoor Use
- Provided armour clamping using clamping arrangements suitable for all armour wire/braid types
- Internal lead device for electrical bond of cable lead inner sheath
- Double compression - under armour and overall of armour cable (inner and outer sealing)
- Sealing with proper resin into "chamber of sealing" (on barrier type version "r" only)

On Request Accessories:

- Locknuts, Gaskets, PVC Shrouds, Earthing Tags, Sealing (See DL-NW-PTD-ET bulletin)

comm@antideflagrante.com

PAPD Cable gland selection table

Ex Cable Glands

PAPD

CODE (1)	SIZE	ENTRY THREAD SIZE					DIA. UNDER ARMOUR		OUTER SHEATH DIA.		HEXAGON	MATERIAL		
		METRIC	(2)	NPT	(2)	UNI ISO 228	(2)	min [mm]	max [mm]	min [mm]	max [mm]	[mm]	(3)	
PAPD# PAPD-R#	01	ISO-M20	M	1/2"NPT	N	1/2"	G	3,5	6,0	10,0	15,0	32,0	NICKEL PL.BRASS	ON
								6,0	8,5				STAINLESS STEEL	IX
								8,5	11,0	14,0	19,0			
PAPD# PAPD-R#	02	ISO-M25	M	3/4"NPT	N	3/4"	G	8,5	11,0	15,0	20,0	36,0	NICKEL PL.BRASS	ON
								11,0	13,5				19,0	24,0
								13,5	16					
PAPD# PAPD-R#	03	ISO-M32	M	1"NPT	N	1"	G	13,0	16,0	20,0	26,0	45,0	NICKEL PL.BRASS	ON
								16,0	19,0				25,0	31,0
								19,0	22,0					
PAPD# PAPD-R#	04	ISO-M40	M	1 1/4"NPT	N	1 1/4"	G	19,0	22,0	26,0	32,0	53,0	NICKEL PL.BRASS	ON
								22,0	25,0				31,0	37,0
								25,0	28,0	34,0	40,0			
PAPD# PAPD-R#	05	ISO-M50	M	1 1/2"NPT	N	1 1/2"	G	22,0	25,0	30,0	37,0	61,0	NICKEL PL.BRASS	ON
								25,0	28,0				36,0	43,0
								28,0	31,0	40,0	47,0			
PAPD# PAPD-R#	06	ISO-M63	M	2"NPT	N	2"	G	34,0	37,0	42,0	48,0	71,0	NICKEL PL.BRASS	ON
								37,0	40,0				47,0	53,0
								40,0	43,0	50,0	56,0			
PAPD# PAPD-R#	07	ISO-M75	M	2 1/2"NPT	N	2 1/2"	G	40,0	43,0	52,0	58,0	84,0	NICKEL PL.BRASS	ON
								43,0	46,0				58,0	64,0
								46,0	49,0	52,0	58,0		61,0	67,0
PAPD# PAPD-R#	08	ISO-M90	M	3"NPT	N	3"	G	52,0	55,0	65,0	72,0	101,0	NICKEL PL.BRASS	ON
								56,0	59,0				71,0	78,0
								57,0	60,0	74,0	81,0			
PAPD# PAPD-R#	09	ISO-M100	M	4"NPT	N	4"	G	63,0	66,0	81,0	88,0	126,0	NICKEL PL.BRASS	ON
								66,0	72,0				88,0	96,0
								72,0	78,0	96,0	104,0			

CABLE GLAND ORDERING EXAMPLES

PAPD#	01	M	ON	= PAPD#01MON (NON-BARRIER CABLE GLAND NICKEL PLATED BRASS ISO-M20 THR.)
PAPD#	03	N	IX	= PAPD#03NIX (NON-BARRIER CABLE GLAND STAINLESS STEEL 1"NPT THR.)

LEGEND

(1)	CABLE GLAND TYPE/MODEL	PAPD# = NON-BARRIER CABLE GLAND - PAPD-R# = BARRIER CABLE GLAND
(2)	THREADING	M = ISO METRIC pitch 1,5mm - N = NPT (ANSI/ASME B1.20.1) - G = UNI ISO-228
(3)	CABLE GLAND MATERIAL	ON = NICKEL PLATED MARINE BRASS - IX = STAINLESS STEEL AISI-316L

PAPD DIMENSIONAL

1	BODY
2-3-4	INNER SEALING RING FOR ARMoured CABLE
5	ARMOUR CLAMPING CONE
6	ARMOUR CLAMPING RING FOR ARMoured CABLE
7	GLAND BARREL
8-9	OUTER SEALING RING
10	ANTI RUBBING WASHER
11	GLAND NUT
12	O-RING (ONLY FOR METRICAL)
13	*CHAMBER FOR SEALING ("R" VERSION ONLY)
14	LEAD WASHER

* Chamber will be filled with sealing when cable gland is completely assembled.

REMARK:

Due to the development of the national and international specifications and of the technology, the above technical characteristics showed on this bulletin can be considered as binding on our confirmation only.

comm@antideflagrante.com



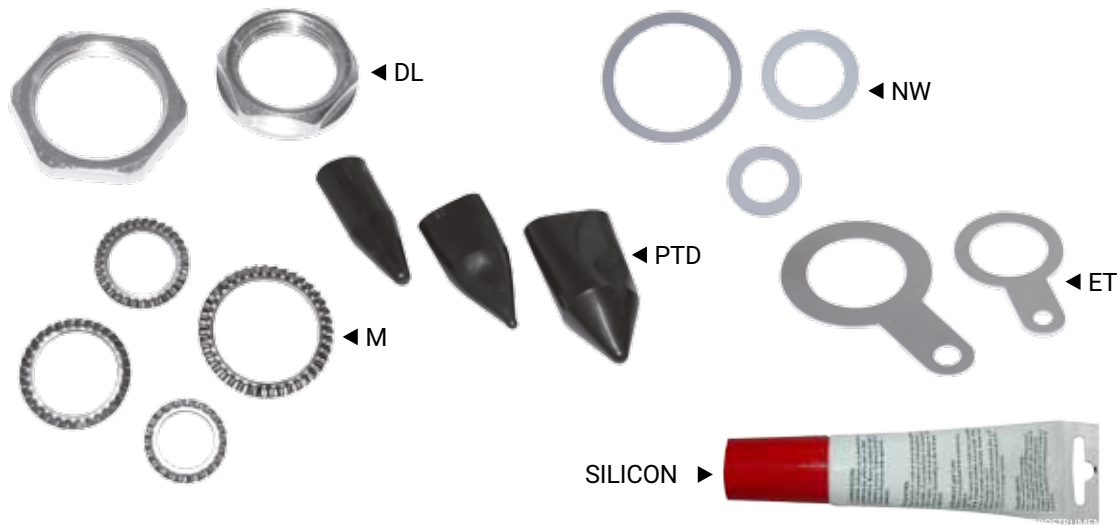


DL-NW-PTD-ET

Cable glands accessories

Installation: hazardous areas - Zone 1 / 2 (Gases) - Zone 21 / 22 (Dusts)

Classification: Group II - Category 2G 2D



Mechanical characteristics

LOCKNUTS

Material	nichel plated brass
Finishes	full nickel plating treatment (brass material only)

SHORUDS

Material	PVC
----------	-----

GASKETS

Material	nylon 6.0
----------	-----------

EARTH TAGS

Material	stainless steel
----------	-----------------

Applications

Locknuts	Are preferred items used in securing cable glands to the gland plate especially to plastic junction boxes
Shoruds	For all tipe of glands application where additional protection is required
Silicone sealant	Is provided for submission of barrier cable glands type-R
Gaskets	Are used to maintain the ip rating across the interface between the equipment and relevant cable gland
Earth tags	Are used to ensure earth continuity and grounding of cable armour

DL-NW-PTD-ET

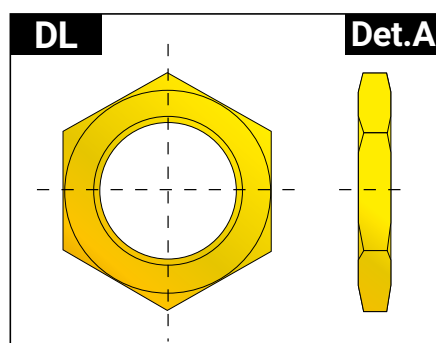
Cable glands accessories



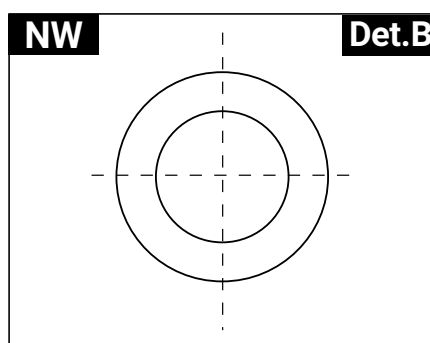
Technical Features

DL-NW-PTD-ET

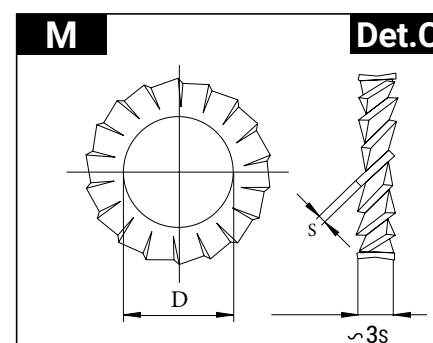
LOCKNUTS			
DETAIL A	THREADS / SIZE		
TYPE	NPT	UNI-228	ISO
DL0	3/8"	3/8"	M16
DL1	1/2"	1/2"	M20
DL2	3/4"	3/4"	M25
DL3	1"	1"	M32
DL4	1-1/4"	1-1/4"	M40
DL5	1-1/2"	1-1/2"	M50
DL6	2"	2"	M63
DL7	2-1/2"	2-1/2"	M75
DL8	3"	3"	M90
DL9	4"	4"	M100



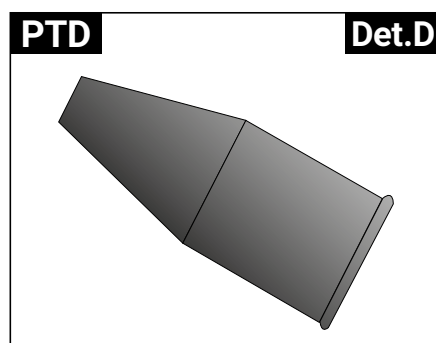
GASKETS			
DETAIL B	THREADS / SIZE		
TYPE	NPT	UNI-228	ISO
NW0	3/8"	3/8"	M16
NW1	1/2"	1/2"	M20
NW2	3/4"	3/4"	M25
NW3	1"	1"	M32
NW4	1-1/4"	1-1/4"	M40
NW5	1-1/2"	1-1/2"	M50
NW6	2"	2"	M63
NW7	2-1/2"	2-1/2"	M75
NW8	3"	3"	M90
NW9	4"	4"	M100



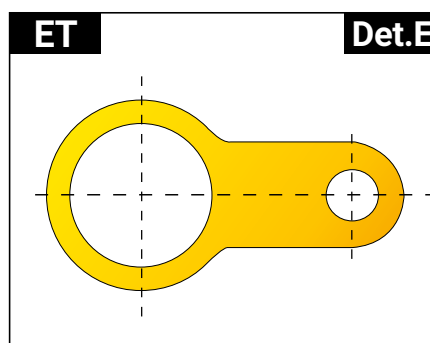
WASHERS		
TYPE	ØD [mm]	DETAIL
M20	20	C
M25	25	C
M32	32	C
M40	40	C
M50	50	C
M63	63	C



SHROUDS			
DETAIL D	THREADS / SIZE		
TYPE	NPT	UNI-228	ISO
PTD0	3/8"	3/8"	M16
PTD1	1/2"	1/2"	M20
PTD2	3/4"	3/4"	M25
PTD3	1"	1"	M32
PTD4	1-1/4"	1-1/4"	M40
PTD5	1-1/2"	1-1/2"	M50
PTD6	2"	2"	M63
PTD7	2-1/2"	2-1/2"	M75
PTD8	3"	3"	M90
PTD9	4"	4"	M100



EARTHS TAGS			
DETAIL E	THREADS / SIZEE		
TYPE	NPT	UNI-228	ISO
ET0	3/8"	3/8"	M16
ET1	1/2"	1/2"	M20
ET2	3/4"	3/4"	M25
ET3	1"	1"	M32
ET4	1-1/4"	1-1/4"	M40
ET5	1-1/2"	1-1/2"	M50
ET6	2"	2"	M63
ET7	2-1/2"	2-1/2"	M75
ET8	3"	3"	M90
ET9	4"	4"	M100



SILICON SEALANT	
CABLE GLANDS SIZE	Q.TY SEALING [ml]
0	2
1	3
2	6
3	15
4	20
5	30
6	50
7	100
8	150
9	160



REMARK:

Due to the development of the national and international specifications and of the technology, the above technical characteristics showed on this bulletin can be considered as binding on our confirmation only.

comm@antideflagrante.com

