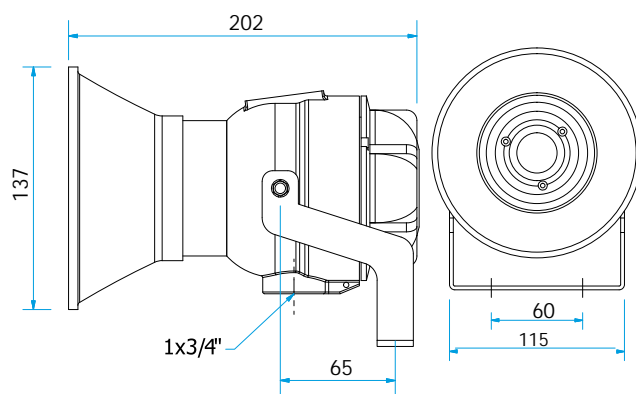


Segnalatori acustici *AUDIBLE WARNING DEVICES* **AW-ETH12MD**

AW-ETH12MD I segnalatori acustici AW-ETH12MD, sono utilizzati in ambienti a basso rumore di fondo, ove sia presente una potenziale atmosfera esplosiva. Sono dotati di circuito a 32 toni selezionabili mediante deep-switch. Il trasduttore acustico ha una impedenza di 8Ω e una frequenza di 2KHz. Il diffusore è in ABS cromato antistatico. La versione standard è in lega di alluminio a basso tenore di rame. La staffa di supporto è AISI 316L. A richiesta AW-ETH12MD: Ghisa EN-GJL-200 AISI 316L

AW-ETH12MD The AW-ETH12MD series of audible warning devices are for use in low background noise environments, where there is a potential explosive atmosphere. They are equipped with an electronic circuit with 32 selectable tones by a deep-switch. The acoustic trasducer has impedance of 8Ω and frequency of 2KHz. The speaker horn is in anti-static high impact chrome ABS. Standard version is marine grade copper free LM6 aluminum. The mounting bracket is in St.St. 316L. AW-ETH12MD on request: Cast iron EN-GJL-200 Stainless Steel 316L



ITEM CODE	POWER SUPPLY V	WORKING CURRENT A	FREQUENCY Hz	POWER CONSUMPTION W	ACOUSTIC FREQUENCY Hz	SOUND OUTPUT dB@1m	WEIGHT KG
AW-ETH12MD-01-AL-15-T	12/24V AC DC	0,10-0,12	50/60	7	340/2000	109	1,25
AW-ETH12MD-01-AL-30-T	48V AC	0,06	50/60	7	340/2000	107	1,4
AW-ETH12MD-01-AL-31-T	48V DC	0,06	--	7	340/2000	107	1,25
AW-ETH12MD-01-AL-50-T	110V AC	0,02	50/60	7	340/2000	109	1,4
AW-ETH12MD-01-AL-51-T	110V DC	0,02	--	7	340/2000	109	1,4
AW-ETH12MD-01-AL-60-T	230V AC	0,012	50/60	7	340/2000	109	1,4

CODICE D'ORDINE :CORPO IN ACCIAIO INOX AW-ETH12MD-01-CI-...T
CORPO IN GHISA AW-ETH12MD-01-SS-...T
ITEM CODE BODY IN STAINLESS STEEL AW-ETH12MD-01-CI-...T
BODY IN CAST IRON AW-ETH12MD-01-SS-...T


accessori su richiesta//accessories on request

- > Differenti colori // Different housing colors available
- > Staffa di supporto AISI 316L // ST. ST. 316L mounting bracket
- > Pressacavo // Cable gland

Segnalatori acustici *AUDIBLE WARNING DEVICES*

AW-ETH12MD

certificazioni//*certification data*

CLASSIFICATION	GROUP II	CATEGORY 2GD
INSTALLATIONS	ZONE 1 – ZONE 2 (GAS)	ZONE 21 – ZONE 22 (DUST)
MARKING	CE  II 2 GD Ex d IIC T6 Gb	Ex tb IIIC T85°C Db IP65
CERTIFICATION	ATEX INERIS 02 ATEX 0074	
STANDARDS	EN 60079-0 IEC 60079-0 EN 60079-1 IEC 60079-1 EN 60079-31 IEC 60079-31 AND EUROPEAN DIRECTIVE 34/14/UE : 2014	
CLASS TEMPERATURE	85°C (T6)	
AMBIENT TEMPERATURE	-20°C +55°C	
DEGREE OF PROTECTION	IP65	

caratteristiche meccaniche//*mechanical features*

BODY AND COVER	LOW COPPER CONTENT ALUMINUM ALLOY
SAFETY WIRE	ST. ST. 316L
SPEAKER HORN	CHROME ABS
GASKET	SILICONE ACID/HYDROCARBON RESISTANT
BOLT AND SCREWS	ST. ST. A2
ENTRY	DIRECT 3/4"
ENTRIES	3/4" 7/1 – NPT – M25 X 1.5 THREADED
HOUSING FINISH [1]	EPOXY COATING STANDARD RAL 7000 (GREY) OR RAL 3000 (RED) ON REQUEST

[1] STAINLESS STEEL SANDBLAST FINISH

caratteristiche elettriche//*electrical features*

POWER SUPPLY	12/24-48-110-230V
SOUND OUTPUT	109 dB (THE VALUE IS MEASURED ON THE HIGHEST TONE)
FREQUENCY	50/60 Hz
DRIVER IMPEDANCE	8 Ω
SERVICE	CONTINUOUS

comm@antideflagranti.com

AW-ETH12MD 32toni//32tones

TONO // TONE	DEEP SWITCH • ON - 0 OFF					DESCRIZIONE // DESCRIPTION
	1	2	3	4	5	
1	0	0	0	0	0	554HZ 0.1S - 440HZ 0.4S (AFNOR NF32001) ALLARME EVACUAZIONE (FRANCIA) // 554HZ 0.1S - 440HZ 0.4S (AFNOR NF32001) EVACUATION ALARM (FRANCE)
2	•	0	0	0	0	650HZ - 1600HZ YELP RAMPA SALITA E DISCESA VELOCE // 650HZ - 1600HZ YELP ALTERNATE FAST TWO-TONE
3	0	•	0	0	0	650HZ - 1600HZ WAIL RAMPA SALITA E DISCESA LENTA // 650HZ - 1600HZ WAIL ALTERNATE SLOW TWO-TONE
4	•	•	0	0	0	554HZ 1S ON - 1S OFF INTERMITTENTE // 554HZ/ 1S ON - 1S OFF INTERMITTENT TONE
5	0	0	•	0	0	554HZ CONTINUO // 554HZ CONTINUOUS NOTE
**6	•	0	•	0	0	1000HZ CONTINUO - GAS TOSSICO // 1000HZ CONTINUOUS NOTE - TOXIC GAS
**7	0	•	•	0	0	1000HZ INTERMITTENTE 1S ON - 1S OFF ALLARME GENERALE // 1000HZ INTERRUPTED TONE 1S ON - 1S OFF GENERAL ALARM
8	•	•	•	0	0	800HZ - 1000HZ/0.25S ALTERNATO (ISO 8201 ALLARME EVACUAZIONE) // 800HZ - 1000HZ/0.25S INTERMITTENT (ISO 8201 INTERNATIONAL EVACUATION ALARM)
**9	0	0	0	•	0	1200 - 500HZ 1SEC SWEEP ALTERNATO ALLARME EVACUAZIONE (GERMANIA) (PAPA) // 1200 - 500HZ 1SEC REVERSE SWEEP EVACUATION ALARM (GERMANY) (PAPA)
10	•	0	0	•	0	500 - 1200HZ, 3.5S/0.5S OFF (NEN 2575:2000) SLOW WHOOP (OLANDA) // 500 - 1200HZ, 3.5S/0.5S OFF (NEN 2575:2000) DUTCH SLOW WHOOP
11	0	•	0	•	0	800 - 1000HZ/0.5S ALTERNATO - ALLARME FUOCO // 800 - 1000HZ/0.5S ALTERNATE TWO TONE - FIRE ALARM
12	•	•	0	•	0	1000 - 2000HZ ALLARME (SINGAPORE) // 1000 - 2000HZ/0.5S ALTERNATING - ALARM (SINGAPORE)
13	0	0	•	•	0	1000HZ/1S ON - 1S OFF 7 VOLTE - POI ON PER 7S - OFF PER 1S - EMERGENZA ALLARME // 1000HZ/1S ON - 1S OFF 7 TIMES - THEN ON FOR 7S - OFF FOR 1S - EMERGENCY ALARM
14	•	0	•	•	0	422HZ A SALIRE 775HZ/0.85S (3X) - 1S OFF - RIPETE (NFPA WHOOP) // 422HZ TO 775HZ/0.85S (3X) - 1S OFF - REPEAT (NFPA WHOOP)
15	0	•	•	•	0	970HZ/1S OFF - 1S ON INTERMITTENTE (APOLLO FIRE SYSTEM ALLERTA) // 970HZ/1S OFF - 1S ON PULSED (APOLLO FIRE SYSTEM ALERT TONE)
16	•	•	•	•	0	970HZ/0.5S - 630HZ/0.5S ALTERNATO (APOLLO FIRE SYSTEM EVACUAZIONE) // 970HZ/0.5S - 630HZ/0.5S ALTERNATING (APOLLO FIRE SYSTEM EVACUATION TONE)
17	0	0	0	0	•	500 - 1200HZ/3,75S - 0,5S OFF TRILLO INTERMITTENTE (INCENDIO GERMANIA) // 500 - 1200HZ/3,75S - 0.5S OFF SWEEPING (FIRE ALARM GERMANY)
18	•	0	0	0	•	420HZ/0.625S ON - 0.625S OFF INTERMITTENTE (ALLARME ALLERTA AUSTRALIA) // 420HZ/0.625S ON - 0.625S OFF (AUSTRALIA AS 1670 ALERT TONE)
19	0	•	0	0	•	500HZ - 1200HZ/3.75S - 0.25S OFF (ALLARME EVACUAZIONE AUSTRALIA) // 500HZ - 1200HZ/3.75S - 0.25S OFF (AUSTRALIA AS 1670 EVACUATION TONE)
20	•	•	0	0	•	340HZ CONTINUO NOTA FISSA // 340HZ CONTINUOUS NOTE
21	0	0	•	0	•	400HZ CONTINUO NOTA FISSA // 400HZ CONTINUOUS NOTE
22	•	0	•	0	•	660HZ CONTINUO NOTA FISSA // 660HZ CONTINUOUS NOTE
23	0	•	•	0	•	750HZ CONTINUO NOTA FISSA // 750HZ CONTINUOUS NOTE
24	•	•	•	0	•	840HZ CONTINUO NOTA FISSA // 840HZ CONTINUOUS NOTE
25	0	0	0	•	•	1200HZ CONTINUO NOTA FISSA // 1200HZ CONTINUOUS NOTE
26	•	0	0	•	•	1480HZ CONTINUO NOTA FISSA // 1480HZ CONTINUOUS NOTE
27	0	•	0	•	•	770HZ/1S - 1S OFF INTERMITTENTE // 770HZ/1S - 1S OFF INTERMITTENT TONE
28	•	•	0	•	•	550HZ/0.33S - 1000HZ/0.7S // 550HZ/0.33S - 1000HZ/0.7S
29	0	0	•	•	•	BADENIA // SIMULATED BELL
30	•	0	•	•	•	970HZ/0.5S ON - 0.5S OFF (3X) SEGUITO DA 1.5S SILENZIO - RIPETE (ISO 8201) // 970HZ/0.5S ON - 0.5S OFF (3X) FOLLOWED 1.5S SILENCE THEN REPEAT (ISO 8201)
31	0	•	•	•	•	440HZ CONTINUO NOTA FISSA // 440HZ CONTINUOUS NOTE
32	•	•	•	•	•	700HZ CONTINUO NOTA FISSA // 700HZ CONTINUOUS NOTE

**ALLARMI SONORI PER INSTALLAZIONI OFFSHORE (PFEER) RACCOMANDATI DA UKOOA // **THE PFEER SOUND SIGNALS RECOMMENDED BY UKOOA ARE:

ALLARME GENERALE // GENERAL ALARM

SEGNALE SONORO 7 // SIGNAL 7

TONO INTERMITTENTE 1000HZ // INTERRUPTED TONE 1000HZ

PAPA // PAPA

SEGNALE SONORO 9 // SIGNAL 9

SWEEP ALTERNATO 1200-500HZ // REVERSE SWEEP 1200-500HZ

GAS TOSSICO // TOXIC GAS

SEGNALE SONORO 6 // SIGNAL 6

TONO CONTINUO 1000HZ // CONTINUOUS TONE 1000HZ