



XLFE-MIB Medium intensity LED Obstruction lighting fixtures

XLFE-MIB series Medium intensity LED Obstruction lighting fixtures can be installed in hazardous areas of industrial plants classified as Zone 1, Zone 2, Zone 21, Zone 22.

The light source was developed by manufacturer upon the experience of the past in the world of LED lighting. In fact, the use of a new LED generation and of the reflector internally designed has allowed the reduction of external dimensions to Ø176x205mm. The red XLFE-MIB series lighting fixture, with an intensity of more than 2000 candles and flashing operation, complies with the requirements of the ICAO Annex 14 for aviation obstruction warning lights of medium-intensity B type (corresponding to the FAA type of initials L- 864).

The XLFE-MIB series has been designed for Zone 1 with an 'Ex db' optical source. The particular design avoids any type of optical error typical of the glass globes.

As required by the ICAO regulations, the XLFE-MIB series has a flashing operation, standard at 20 fpm, upon request at 40 fpm. The light source also complies with EN/IEC 60079-28 standard ("op is" protection).

The installation is facilitated by the reduced dimensions, the wiring is done with cable gland in a 'Ex e' enclosure, avoiding the use of sealed cable glands or the resin finishing at high heights.

The signalling device is not a stand-alone device but it is part of a system that provides power from a panel. This choice reduces maintenance operations by making the power supplies accessible from the management panel.

Application sectors:



CERTIFICATION DATA

Classification:	Group II	Category 2GD		
Installation: EN 60079.14	zone 1 - zone 2 (Gas)	zone 21 - zone 22 (Dust)		
Marking:	CE 0722 Ex II 2GD Ex db eb op is IIC T4 Gb; Ex tb op is IIIC T1 10°C Db IP66			
Certification:	ATEX EPT 18 ATEX 2952 X			
	IECEx IECEx SEV 18.0012X			
Standards:	CENELEC EN 60079-0: 2012+A11: 2013, EN 60079-1: 2014, EN 60079-31: 2014, EN 60079-28: 2015, EN 60079-7: 2015 and EUROPEAN DIRECTIVE 2014/34/UE IEC 60079-0: 2011, IEC 60079-1: 2014-06, IEC 60079-28: 2015, IEC 60079-31: 2013, IEC 60079-7: 2015 European Directive 2006/95 Low voltage European Directive 2004/108 Electromagnetic compatibility European Directive 2003/108 WEEE Waste electrical and electronic equipment European Directive 2011/64 RoHS			
Class temperature:	110°C (T4)	130°C (T4)		
Ambient temperature:	XLFE-MIB -40°C +40°C	XLFE-MIB/1 -40°C +60°C		
Degree of protection:	IP66			



ORIGINAL PRODUCT

MECHANICAL FEATURES

Body:	Low copper content aluminium alloy fitted with cooling fins for better heat dissipation
Glass face:	Shock and temperature resistant borosilicate glass sealed with aluminium shade ring
Internal reflector:	Chrome-plated aluminium
Gaskets:	Silicone acid/hydrocarbon and high temperatures resistant
Mounting:	See "XLFE-MIB series dimensional drawings"
Bolts and screws:	Stainless steel
Entries:	1 ISO M20 entry
Coating:	Polyester coating Ral 7035 (light grey)
Corrosion Resistance:	The STANDARD of the aluminium alloy used by manufacturer has passed the tests required by standards EN60068-2-30 (hot/humid cycles) and EN60068-2-11 (salt mist tests)

ACCESSORIES AVAILABLE / SPECIAL REQUESTS

Ex or watertight protected control panel

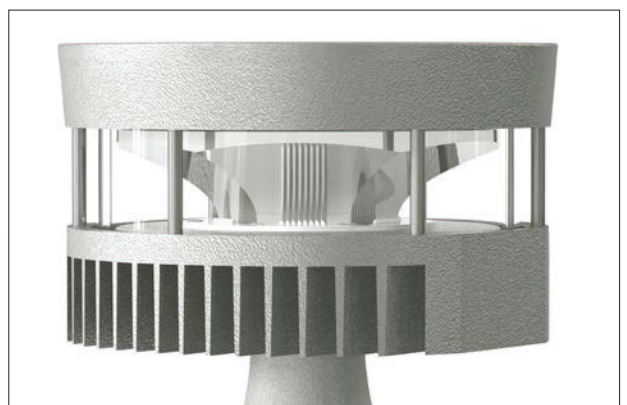
Cable gland: for armoured cable or for non-armoured cable Birds deterrent (G-1010)

COMPLIANCE

ICAO Regulations, FAA. The red XLFE-MIB series lighting fixtures with luminous intensity of more than 2000 candles complies with the ICAO Annex 14 Aerodromes vol. I. June 2016 (corresponding to the FAA model, L-864 code). In accordance with the provisions of this standard, the luminous flux of the lighting fixture on the horizontal plane is 360° while on the vertical plane it is 3°.

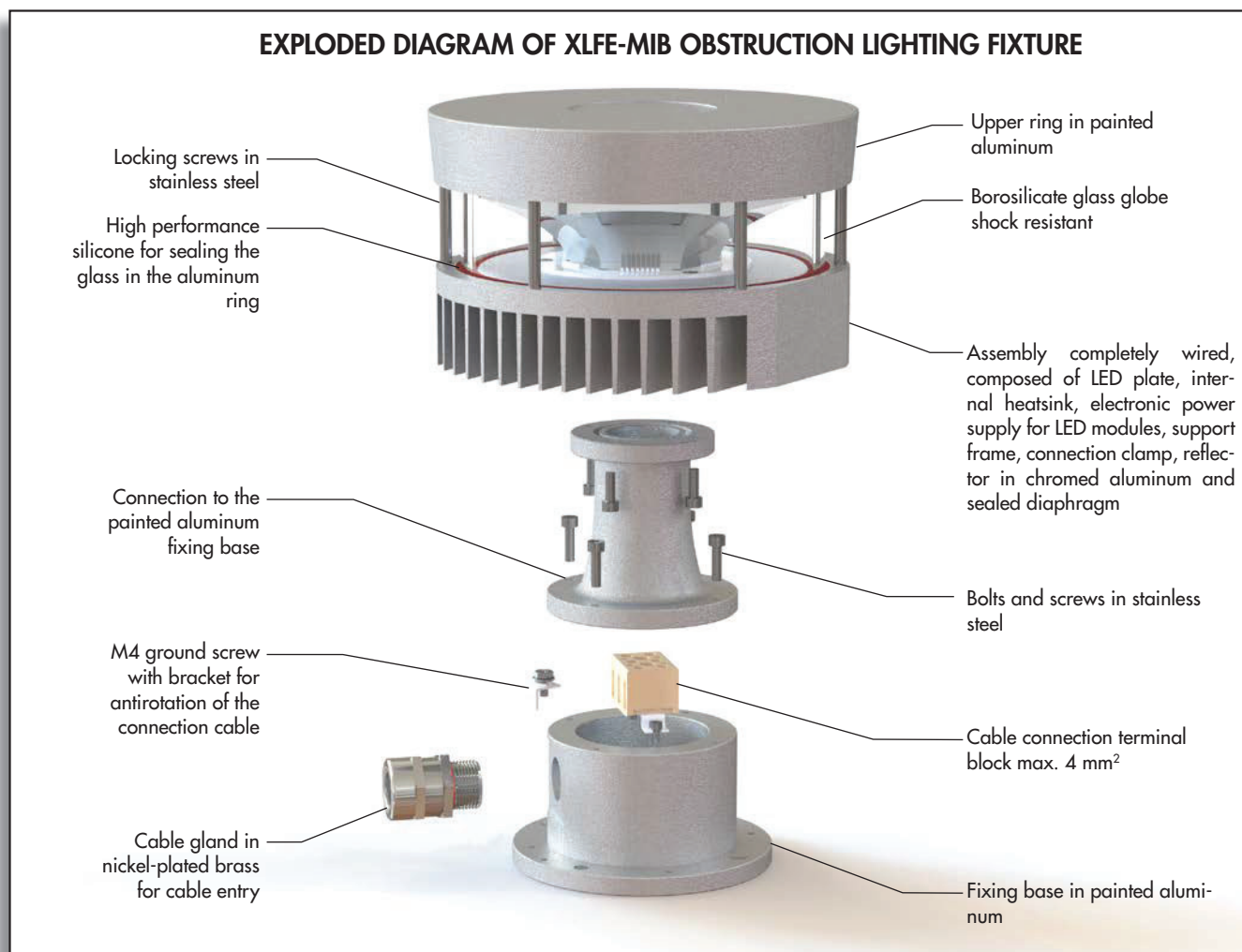


Italian Patent Pending






XLFE-MIB Medium intensity LED Obstruction lighting fixtures

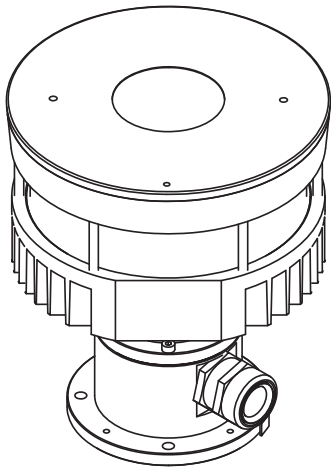


Features	XLFE-MIB
Type of product:	Obstruction lighting fixture Average intensity Type B
Light source:	LED
Color:	Red
Typical use:	Night
Supply voltage:	110-121 Vdc
Power consumption:	30 W
Connection:	Direct connection to terminal board L, N, Pe. Section 4mm ² , suitable for loop-in/loop-out
Flashing rate:	20 - 40 fpm (flash per minute)
Vertical beam spread:	3°
Minimum light intensity (360°):	2000 cd
Horizontal coverage:	360°

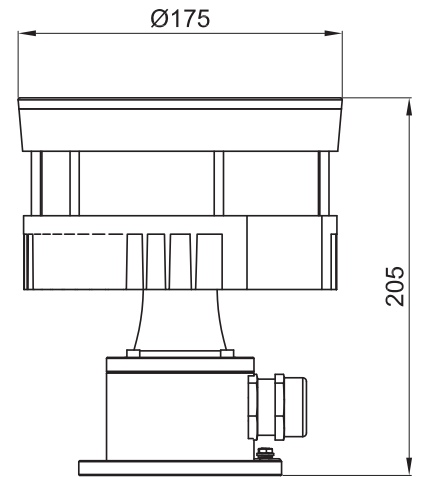
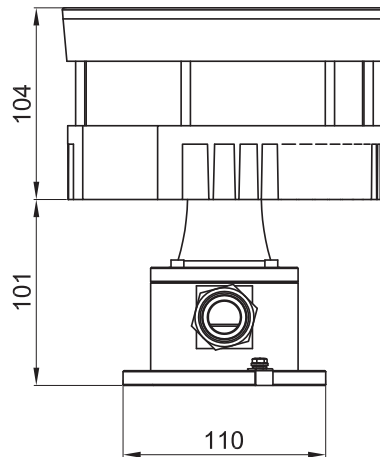
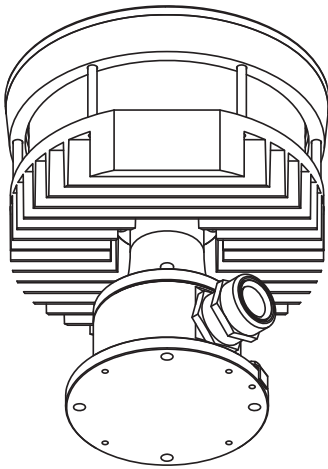
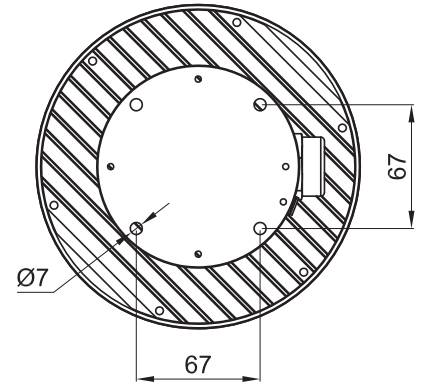


Code	Colour light	Power supply	Type of light	Type of circuit	Ambient Temperature	Weight kg	 mm
XLFE-MIB	Red	110-121 Vdc	Flash	Single	-40 °C +40 °C	5	260x250x300
XLFE-MIB/1	Red	110-121 Vdc	Flash	Single	-40 °C +60 °C	5	260x250x300

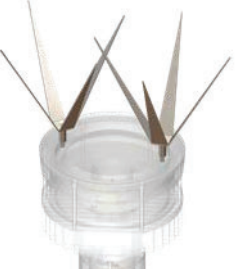

DIMENSIONAL DRAWING



Close up of mounting



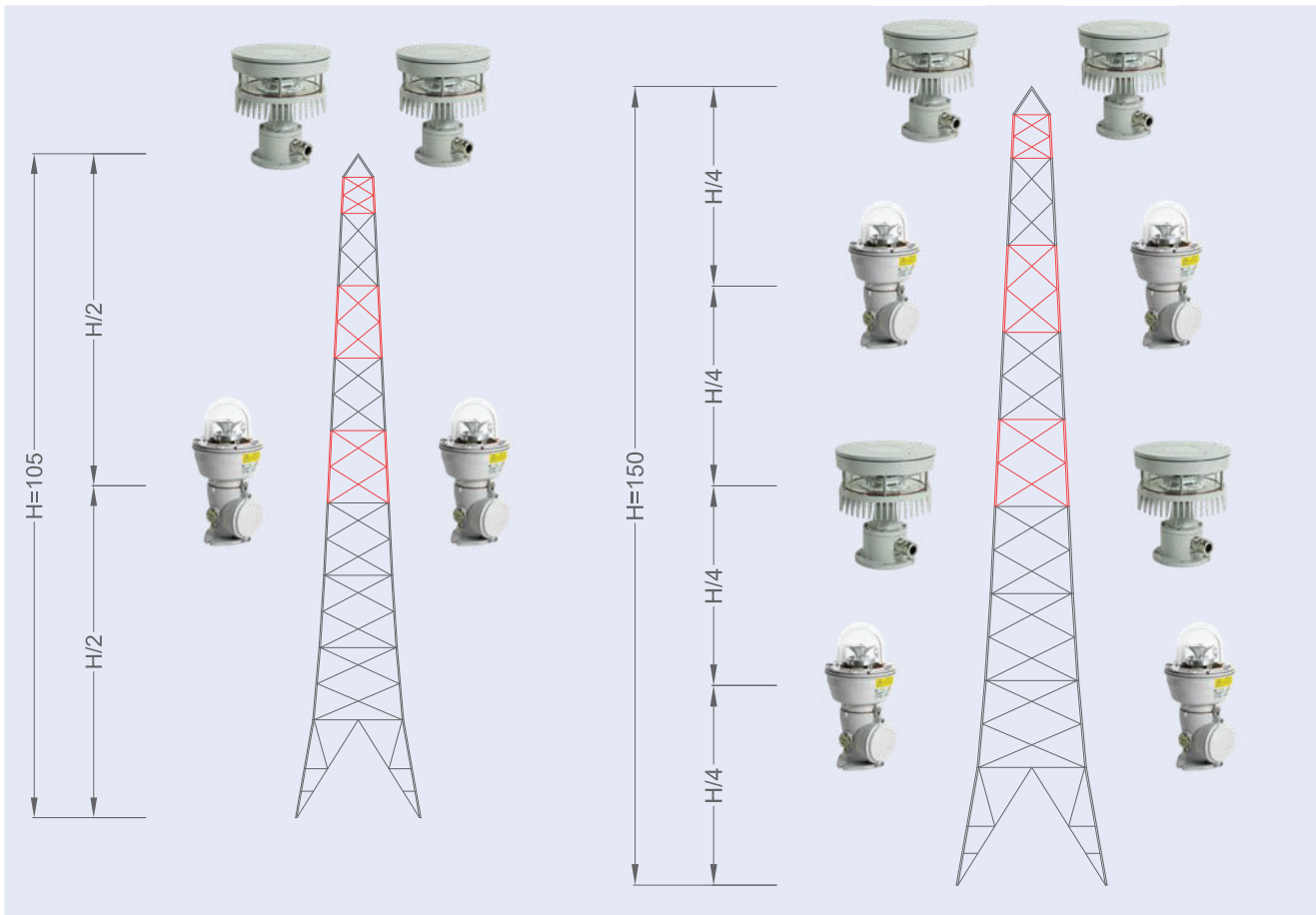
Dimensions in mm

ILLUSTRATION	DESCRIPTION	FEATURES	CODE	KEY
	Bird dissuader	Material: Stainless steel AISI 316L	G-1010	



XLFE-MIB Medium intensity LED Obstruction lighting fixtures

MOUNTING SCHEME



H	LEVELS	
<45m	1	LIB
<105m	2	Top level: MIB Level 1: LIB o MIB
<150m	4	Level Top: MIB Level 1: LIB o MIB Level 2: MIB Level 3: LIB o MIB

