

# FB series barrier cable glands for non-armoured cable

FB series barrier cable glands for non-armoured cable are used to ensure the IP 66/67 degree and the explosion protection in applications with regulations of installation according to EN-IEC 60079-14:2015 Standard.

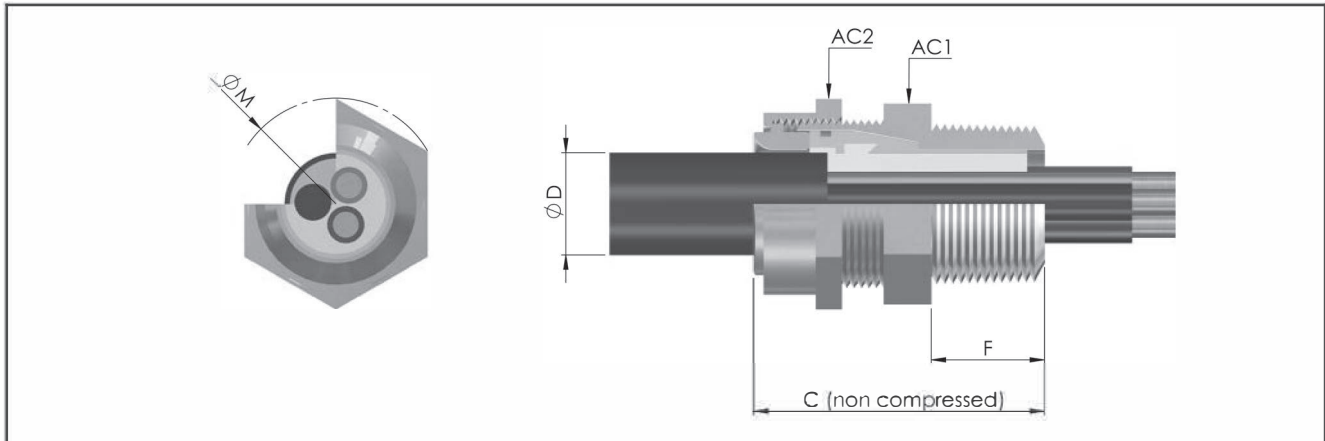


|                                      |  |                                 |
|--------------------------------------|--|---------------------------------|
| <b>Classification:</b><br>2014/34/UE | <b>Group II</b>  | <b>Category 2GD</b>             |
| <b>Installation:</b><br>EN 60079.14  | <b>zone 1 - zone 2 (Gas)</b>   | <b>zone 21 - zone 22 (Dust)</b> |
| <b>Marking:</b>                      | <b>CE 0722 Ex II 2 GD - Ex d IIC Gb Ex e IIC Gb Ex tb IIIC Db IP66/67</b>  |                                 |
| <b>Certification:</b>                | <b>ATEX</b>  | <b>CESI 00 ATEX 075X</b>        |
|                                      | <b>IECEX</b>   | <b>IECEX CES 14.0015X</b>       |
|                                      | <b>TR CU</b>   | <b>AVAILABLE</b>                |
| <b>Standards:</b>                    | <b>CENELEC EN 60079-0: 2012, EN 60079-1: 2007, EN 60079-7: 2007, EN 60079-31: 2009 and European Directive 2014/34/UE</b> |                                 |
|                                      | <b>IEC60079-0: 2011, IEC60079-1: 2007-04, IEC60079-31: 2008, IEC 60079-7: 2006-07 Directive RoHS 2002/95/CE</b>          |                                 |
| <b>Operating temperature:</b>        | <b>-20°C +100°C</b>  |                                 |
| <b>Degree of protection:</b>         | <b>IP66/67</b>   |                                 |

| Accessories upon request |                                   |                     |                        |                                    |                                      |                  |
|--------------------------|-----------------------------------|---------------------|------------------------|------------------------------------|--------------------------------------|------------------|
| Locknut *                | ISO thread                        | Nickel-plated brass | Shrouds black TPV made | Code                               | Nickel-plated brass earthing rings * | Code             |
|                          | M20x1,5                           | <b>DL1IB</b>        |                        | <b>PGA1</b>                        |                                      | <b>A1311IB</b>   |
|                          | M25x1,5                           | <b>DL2IB</b>        |                        | <b>PGA2</b>                        |                                      | <b>A2312IB</b>   |
|                          | M32x1,5                           | <b>DL3IB</b>        |                        | <b>PGA3</b>                        |                                      | <b>A3313IB</b>   |
|                          | M40x1,5                           | <b>DL4IB</b>        |                        | <b>PGA6R</b>                       |                                      | <b>A4314IB</b>   |
|                          | M50x1,5                           | <b>DL5IB</b>        |                        | <b>PGA6R</b>                       |                                      | <b>A5315IB</b>   |
|                          | M63x1,5                           | <b>DL6IB</b>        |                        | <b>PGA6</b>                        |                                      | <b>A6316IB</b>   |
|                          | M75x1,5                           | <b>DL7IB</b>        |                        | <b>PGA8</b>                        |                                      | <b>A7317IB</b>   |
|                          | M90x1,5                           | <b>DL8IB</b>        |                        | <b>PGA8</b>                        |                                      | <b>A8318IB</b>   |
|                          | Stainless steel idented washers * | For ISO threading   | Code                   | Adaptors and reducers RE... series |                                      |                  |
|                          |                                   |                     | M20                    |                                    |                                      | <b>RD11IS/A4</b> |
|                          |                                   |                     | M25                    |                                    |                                      | <b>RD12IS/A4</b> |
|                          |                                   |                     | M32                    |                                    |                                      | <b>RD13IS/A4</b> |
|                          |                                   |                     | M40                    |                                    |                                      | <b>RD14IS/A4</b> |
|                          |                                   |                     | M50                    |                                    |                                      | <b>RD15IS/A4</b> |
| M63                      | <b>RD16IS/A4</b>                  |                     |                        |                                    |                                      |                  |



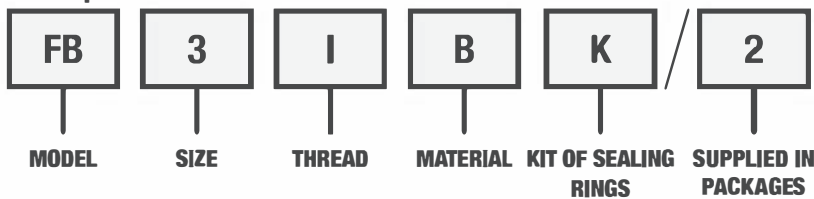
**comm@antideflagrangigce.com**



**CABLE GLANDS SELECTION TABLE**

| Code<br>Nickel-plated<br>brass | Thread      | Dimensions in mm |     |     |    |      | Range      | Weight |
|--------------------------------|-------------|------------------|-----|-----|----|------|------------|--------|
|                                |             | AC1              | AC2 | ØM  | F  | C    | ØD min-max | Kg     |
| FB1BK/3                        | 1/2" ISO7/1 | 27               | 30  | 35  | 19 | 59   | 5 - 13     | 0,140  |
| FB2BK/3                        | 3/4" ISO7/1 | 32               | 35  | 41  | 19 | 60   | 11 - 18    | 0,170  |
| FB3BK/2                        | 1" ISO7/1   | 40               | 42  | 49  | 26 | 65,5 | 17 - 24    | 0,275  |
| FB4BK                          | 1 ¼" ISO7/1 | 53               | 60  | 69  | 26 | 68   | 23 - 30    | 0,390  |
| FB5BK                          | 1 ½" ISO7/1 | 60               | 67  | 77  | 26 | 68,5 | 29 - 38    | 0,510  |
| FB6BK                          | 2" ISO7/1   | 72               | 79  | 91  | 26 | 69   | 36 - 49    | 0,720  |
| FB7BK                          | 2 ½" ISO7/1 | 95               | 105 | 121 | 32 | 84   | 44 - 61    | 1,220  |
| FB8BK                          | 3" ISO7/1   | 105              | 115 | 133 | 32 | 86   | 59 - 74    | 1,580  |
| FB1NBK/3                       | 1/2" NPT    | 27               | 30  | 35  | 19 | 59   | 5 - 13     | 0,140  |
| FB2NBK/3                       | 3/4" NPT    | 32               | 35  | 41  | 19 | 60   | 11 - 18    | 0,170  |
| FB3NBK/2                       | 1" NPT      | 40               | 42  | 49  | 26 | 65,5 | 17 - 24    | 0,275  |
| FB4NBK                         | 1 ¼" NPT    | 55               | 60  | 69  | 26 | 68   | 23 - 30    | 0,390  |
| FB5NBK                         | 1 ½" NPT    | 60               | 67  | 77  | 26 | 68,5 | 29 - 38    | 0,510  |
| FB6NBK                         | 2" NPT      | 72               | 79  | 91  | 26 | 69   | 36 - 49    | 0,720  |
| FB7NBK                         | 2 ½" NPT    | 90               | 105 | 121 | 32 | 84   | 44 - 61    | 1,220  |
| FB8NBK                         | 3" NPT      | 105              | 115 | 133 | 32 | 86   | 59 - 74    | 1,580  |
| FB1IBK/3                       | M20x1,5     | 27               | 30  | 35  | 16 | 56   | 5 - 13     | 0,140  |
| FB2IBK/3                       | M25x1,5     | 32               | 35  | 41  | 16 | 57   | 11 - 18    | 0,170  |
| FB3IBK/2                       | M32x1,5     | 40               | 42  | 49  | 16 | 55,5 | 17 - 24    | 0,275  |
| FB4IBK                         | M40x1,5     | 55               | 60  | 69  | 16 | 58   | 23 - 30    | 0,390  |
| FB5IBK                         | M50x1,5     | 60               | 67  | 77  | 16 | 58,5 | 29 - 38    | 0,510  |
| FB6IBK                         | M63x1,5     | 72               | 79  | 91  | 18 | 59   | 36 - 49    | 0,720  |
| FB7IBK                         | M75x1,5     | 95               | 105 | 121 | 18 | 70   | 44 - 61    | 1,220  |
| FB8IBK                         | M90x1,5     | 105              | 115 | 133 | 18 | 72   | 59 - 74    | 1,580  |

**Example of Order Code**



For sealing system, diameter and maximum number of conductors to be used see "Sealing method" chapter

**TECHNICAL NOTES:**

- The silicone o-ring for the IP protection for cylindrical threads (ISO metric) is supplied already assembled on cable gland
- Other materials upon request
- For "Ex i" intrinsically safe marking, blu nut RAL 5015 (example code FB5BKIA)



## FBF series barrier cable glands for non-armoured cable with female exit

FBF series barrier cable glands for non-armoured cable with female threaded exit are used to ensure the IP 66/67 degree and explosion protection in applications where the prescriptions of installation are required according to EN-IEC 60079-14:2015 Standards.



|                                      |  |                                 |
|--------------------------------------|--|---------------------------------|
| <b>Classification:</b><br>2014/34/UE | <b>Group II</b>  | <b>Category 2GD</b>             |
| <b>Installation:</b><br>EN 60079.14  | <b>zone 1 - zone 2 (Gas)</b>   | <b>zone 21 - zone 22 (Dust)</b> |
| <b>Marking:</b>                      | <b>CE 0722 Ex II 2 GD - Ex d IIC Gb Ex e IIC Gb Ex tb IIIC Db IP66/67</b>  |                                 |
| <b>Certification:</b>                | <b>ATEX</b>  | <b>CESI 00 ATEX 075</b>         |
|                                      | <b>IECEX</b>   | <b>IECEX CES 14.0015X</b>       |
|                                      | <b>TR CU</b>   | <b>AVAILABLE</b>                |
| <b>Standards:</b>                    | CENELEC EN 60079-0: 2012, EN 60079-1: 2007, EN 60079-7: 2007, EN 60079-31: 2009 and European Directive 2014/34/UE<br>IEC60079-0: 2011, IEC60079-1: 2007-04, IEC60079-31: 2008, IEC 60079-7: 2006-07<br>Directive RoHS 2002/95/CE |                                 |
| <b>Operating temperature:</b>        | <b>-20°C +60°C</b>   |                                 |
| <b>Degree of protection:</b>         | <b>IP66/67</b>   |                                 |

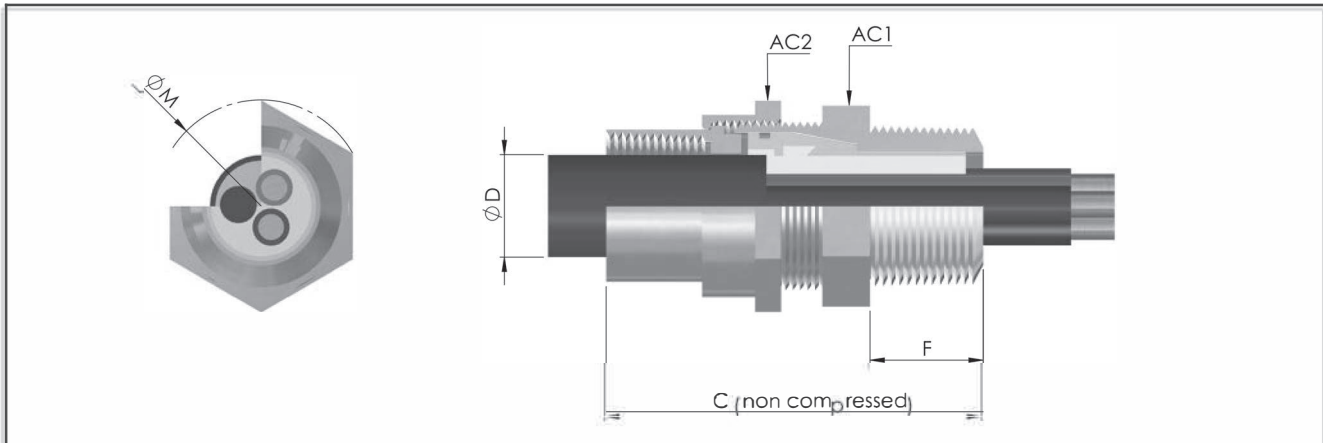
### Accessories upon request

| Locknut * | ISO thread                        | Nickel-plated brass | Shrouds black TPV made | Code             | Nickel-plated brass earthing rings * | Code           |
|-----------|-----------------------------------|---------------------|------------------------|------------------|--------------------------------------|----------------|
|           | M20x1,5                           | <b>DL1IB</b>        |                        | <b>PGA1</b>      |                                      | <b>A1311IB</b> |
|           | M25x1,5                           | <b>DL2IB</b>        |                        | <b>PGA2</b>      |                                      | <b>A2312IB</b> |
|           | M32x1,5                           | <b>DL3IB</b>        |                        | <b>PGA3</b>      |                                      | <b>A3313IB</b> |
|           | M40x1,5                           | <b>DL4IB</b>        |                        | <b>PGA6R</b>     |                                      | <b>A4314IB</b> |
|           | M50x1,5                           | <b>DL5IB</b>        |                        | <b>PGA6R</b>     |                                      | <b>A5315IB</b> |
|           | M63x1,5                           | <b>DL6IB</b>        |                        | <b>PGA6</b>      |                                      | <b>A6316IB</b> |
|           | M75x1,5                           | <b>DL7IB</b>        |                        | <b>PGA8</b>      |                                      | <b>A7317IB</b> |
|           | M90x1,5                           | <b>DL8IB</b>        |                        | <b>PGA8</b>      |                                      | <b>A8318IB</b> |
|           | Stainless steel idented washers * |                     | For ISO threading      | Code             | Adaptors and reducers RE... series   |                |
|           |                                   |                     | M20                    | <b>RD11IS/A4</b> |                                      |                |
|           |                                   |                     | M25                    | <b>RD12IS/A4</b> |                                      |                |
|           |                                   |                     | M32                    | <b>RD13IS/A4</b> |                                      |                |
|           |                                   |                     | M40                    | <b>RD14IS/A4</b> |                                      |                |
|           |                                   |                     | M50                    | <b>RD15IS/A4</b> |                                      |                |
| M63       |                                   |                     | <b>RD16IS/A4</b>       |                  |                                      |                |

\* For different threads contact the sales office.



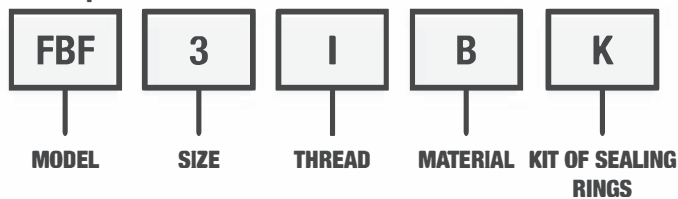
**comm@antideflagranti.com**



**CABLE GLANDS SELECTION TABLE**

| Code<br>Nickel-plated<br>brass | Thread      | Dimensions in mm |     |     |    |     | Range      | Weight |
|--------------------------------|-------------|------------------|-----|-----|----|-----|------------|--------|
|                                |             | AC1              | AC2 | ØM  | F  | C   | ØD min-max | Kg     |
| FBF1BK                         | 1/2" ISO7/1 | 27               | 30  | 35  | 19 | 68  | 5 - 13     | 0,180  |
| FBF2BK                         | 3/4" ISO7/1 | 32               | 35  | 41  | 19 | 68  | 11 - 18    | 0,220  |
| FBF3BK                         | 1" ISO7/1   | 40               | 42  | 49  | 26 | 78  | 17 - 24    | 0,420  |
| FBF4BK                         | 1 ¼" ISO7/1 | 53               | 60  | 69  | 26 | 78  | 23 - 30    | 0,800  |
| FBF5BK                         | 1 ½" ISO7/1 | 60               | 67  | 77  | 26 | 78  | 29 - 38    | 1,010  |
| FBF6BK                         | 2" ISO7/1   | 72               | 79  | 91  | 26 | 78  | 36 - 49    | 1,420  |
| FBF7BK                         | 2 ½" ISO7/1 | 95               | 105 | 121 | 32 | 102 | 44 - 61    | 2,530  |
| FBF8BK                         | 3" ISO7/1   | 105              | 115 | 133 | 32 | 102 | 59 - 74    | 2,930  |
| FBF1NBK                        | 1/2" NPT    | 27               | 30  | 35  | 19 | 68  | 5 - 13     | 0,180  |
| FBF2NBK                        | 3/4" NPT    | 32               | 35  | 41  | 19 | 68  | 11 - 18    | 0,220  |
| FBF3NBK                        | 1" NPT      | 40               | 42  | 49  | 26 | 78  | 17 - 24    | 0,420  |
| FBF4NBK                        | 1 ¼" NPT    | 55               | 60  | 69  | 26 | 78  | 23 - 30    | 0,800  |
| FBF5NBK                        | 1 ½" NPT    | 60               | 67  | 77  | 26 | 78  | 29 - 38    | 1,010  |
| FBF6NBK                        | 2" NPT      | 72               | 79  | 91  | 26 | 78  | 36 - 49    | 1,420  |
| FBF7NBK                        | 2 ½" NPT    | 90               | 105 | 121 | 32 | 102 | 44 - 61    | 2,530  |
| FBF8NBK                        | 3" NPT      | 105              | 115 | 133 | 32 | 102 | 59 - 74    | 2,930  |
| FBF1IBK                        | M20x1,5     | 27               | 30  | 35  | 16 | 55  | 5 - 13     | 0,180  |
| FBF2IBK                        | M25x1,5     | 32               | 35  | 41  | 16 | 55  | 11 - 18    | 0,220  |
| FBF3IBK                        | M32x1,5     | 40               | 42  | 49  | 16 | 56  | 17 - 24    | 0,420  |
| FBF4IBK                        | M40x1,5     | 55               | 60  | 69  | 16 | 58  | 23 - 30    | 0,800  |
| FBF5IBK                        | M50x1,5     | 60               | 67  | 77  | 16 | 58  | 29 - 38    | 1,010  |
| FBF6IBK                        | M63x1,5     | 72               | 79  | 91  | 18 | 60  | 36 - 49    | 1,420  |
| FBF7IBK                        | M75x1,5     | 95               | 105 | 121 | 18 | 62  | 44 - 61    | 2,530  |
| FBF8IBK                        | M90x1,5     | 105              | 115 | 133 | 18 | 62  | 59 - 74    | 2,930  |

**Example of Order Code**



Resin compound kit:  
Cable glands are supplied  
with a resin bag, mixing  
spatula and protective  
gloves.



For sealing system, diameter and maximum number of conductors to be used see "Sealing method" chapter

**TECHNICAL NOTES:**

- The silicone o-ring for the IP protection for cylindrical threads (ISO metric) is supplied already assembled on cable gland
- Other materials upon request
- For "Ex i" intrinsically safe marking, blu nut RAL 5015 (example code FBF5BKIA)
- It's available upon request a version with mixed thread, of the same equivalence and size (example code for cable gland in nickel-plated brass Male 1"NPT - Female M32x1,5: FBF3NIBK)



## FBN series barrier cable glands for non-armoured cable with male exit

FBN series barrier cable glands for non-armoured cable with threaded male exit, are used to ensure the IP 66/67 degree and the explosion protection in applications where the prescriptions of installation are required according to EN-IEC 60079-14:2015 Standards.



|                                      |  |   |
|--------------------------------------|--|---|
| <b>Classification:</b><br>2014/34/UE | Group II   | Category 2GD  |
| <b>Installation:</b><br>EN 60079.14  | zone 1 - zone 2 (Gas)  | zone 21 - zone 22 (Dust)  |
| <b>Marking:</b>                      | CE 0722 Ex II 2 GD - Ex d IIC Gb Ex e IIC Gb Ex tb IIC Db IP66/67  |   |
| <b>Certification:</b>                | ATEX   | CESI 00 ATEX 075  |
|                                      | IECEX  | IECEX CES 14.0015X <small>All IEC Ex and TR CU certification data contact</small> |
|                                      | TR CU  | AVAILABLE <small>comm@antideflagrantiqce.com</small>                              |
| <b>Standards:</b>                    | CENELEC EN 60079-0: 2012, EN 60079-1: 2007, EN 60079-7: 2007, EN 60079-31: 2009 and European Directive 2014/34/UE<br>IEC60079-0: 2011, IEC60079-1: 2007-04, IEC60079-31: 2008, IEC 60079-7: 2006-07<br>Directive RoHS 2002/95/CE |   |
| <b>Operating temperature:</b>        | -20°C +60°C  |   |
| <b>Degree of protection:</b>         | IP66/67  |   |

### Accessories upon request

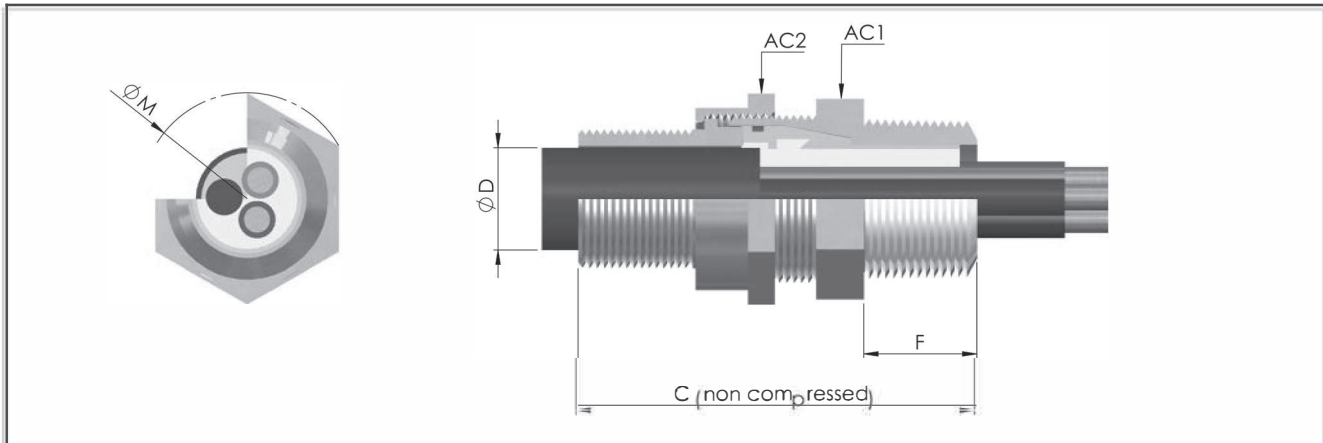
| Locknut * | ISO thread                        | Nickel-plated brass | Shrouds black TPV made | Code  | Nickel-plated brass earthing rings * | Code    |
|-----------|-----------------------------------|---------------------|------------------------|-------|--------------------------------------|---------|
|           | M20x1,5                           | DL1IB               |                        | PGA1  |                                      | A1311IB |
|           | M25x1,5                           | DL2IB               |                        | PGA2  |                                      | A2312IB |
|           | M32x1,5                           | DL3IB               |                        | PGA3  |                                      | A3313IB |
|           | M40x1,5                           | DL4IB               |                        | PGA6R |                                      | A4314IB |
|           | M50x1,5                           | DL5IB               |                        | PGA6R |                                      | A5315IB |
|           | M63x1,5                           | DL6IB               |                        | PGA6  |                                      | A6316IB |
|           | M75x1,5                           | DL7IB               |                        | PGA8  |                                      | A7317IB |
|           | M90x1,5                           | DL8IB               |                        | PGA8  |                                      | A8318IB |
|           | Stainless steel idented washers * |                     | For ISO threading      | Code  | Adaptors and reducers RE... series   |         |
|           |                                   | M20                 | RDI1IS/A4              |       |                                      |         |
|           |                                   | M25                 | RDI2IS/A4              |       |                                      |         |
|           |                                   | M32                 | RDI3IS/A4              |       |                                      |         |
|           |                                   | M40                 | RDI4IS/A4              |       |                                      |         |
|           |                                   | M50                 | RDI5IS/A4              |       |                                      |         |
| M63       |                                   | RDI6IS/A4           |                        |       |                                      |         |

\* For different threads contact the sales office.



[comm@antideflagrantiqce.com](mailto:comm@antideflagrantiqce.com)

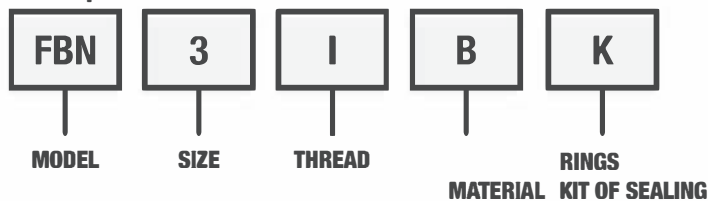




**CABLE GLANDS SELECTION TABLE**

| Code<br>Nickel-plated<br>brass | Thread      | Dimensions in mm |     |     |    |     | Range      | Weight |
|--------------------------------|-------------|------------------|-----|-----|----|-----|------------|--------|
|                                |             | AC1              | AC2 | ØM  | F  | C   | ØD min-max | Kg     |
| FBN1BK                         | 1/2" ISO7/1 | 27               | 30  | 35  | 19 | 75  | 5 - 13     | 0,180  |
| FBN2BK                         | 3/4" ISO7/1 | 32               | 35  | 41  | 19 | 75  | 11 - 18    | 0,220  |
| FBN3BK                         | 1" ISO7/1   | 40               | 42  | 49  | 26 | 82  | 17 - 24    | 0,420  |
| FBN4BK                         | 1 ¼" ISO7/1 | 53               | 60  | 69  | 26 | 94  | 23 - 30    | 0,800  |
| FBN5BK                         | 1 ½" ISO7/1 | 60               | 67  | 77  | 26 | 94  | 29 - 38    | 1,010  |
| FBN6BK                         | 2" ISO7/1   | 72               | 79  | 91  | 26 | 94  | 36 - 49    | 1,420  |
| FBN7BK                         | 2 ½" ISO7/1 | 95               | 105 | 121 | 32 | 106 | 44 - 61    | 2,530  |
| FBN8BK                         | 3" ISO7/1   | 105              | 115 | 133 | 32 | 106 | 59 - 74    | 2,930  |
| FBN1NBK                        | 1/2" NPT    | 27               | 30  | 35  | 19 | 68  | 5 - 13     | 0,180  |
| FBN2NBK                        | 3/4" NPT    | 32               | 35  | 41  | 19 | 68  | 11 - 18    | 0,220  |
| FBN3NBK                        | 1" NPT      | 40               | 42  | 49  | 26 | 78  | 17 - 24    | 0,420  |
| FBN4NBK                        | 1 ¼" NPT    | 55               | 60  | 69  | 26 | 78  | 23 - 30    | 0,800  |
| FBN5NBK                        | 1 ½" NPT    | 60               | 67  | 77  | 26 | 78  | 29 - 38    | 1,010  |
| FBN6NBK                        | 2" NPT      | 72               | 79  | 91  | 26 | 78  | 36 - 49    | 1,420  |
| FBN7NBK                        | 2 ½" NPT    | 90               | 105 | 121 | 32 | 102 | 44 - 61    | 2,530  |
| FBN8NBK                        | 3" NPT      | 105              | 115 | 133 | 32 | 102 | 59 - 74    | 2,930  |
| FBN1IBK                        | M20x1,5     | 27               | 30  | 35  | 16 | 55  | 5 - 13     | 0,180  |
| FBN2IBK                        | M25x1,5     | 32               | 35  | 41  | 16 | 55  | 11 - 18    | 0,220  |
| FBN3IBK                        | M32x1,5     | 40               | 42  | 49  | 16 | 56  | 17 - 24    | 0,420  |
| FBN4IBK                        | M40x1,5     | 55               | 60  | 69  | 16 | 58  | 23 - 30    | 0,800  |
| FBN5IBK                        | M50x1,5     | 60               | 67  | 77  | 16 | 58  | 29 - 38    | 1,010  |
| FBN6IBK                        | M63x1,5     | 72               | 79  | 91  | 18 | 60  | 36 - 49    | 1,420  |
| FBN7IBK                        | M75x1,5     | 95               | 105 | 121 | 18 | 62  | 44 - 61    | 2,530  |
| FBN8IBK                        | M90x1,5     | 105              | 115 | 133 | 18 | 62  | 59 - 74    | 2,930  |

**Example of Order Code**



Resin compound kit:  
Cable glands are supplied  
with a resin bag, mixing  
spatula and protective  
gloves.



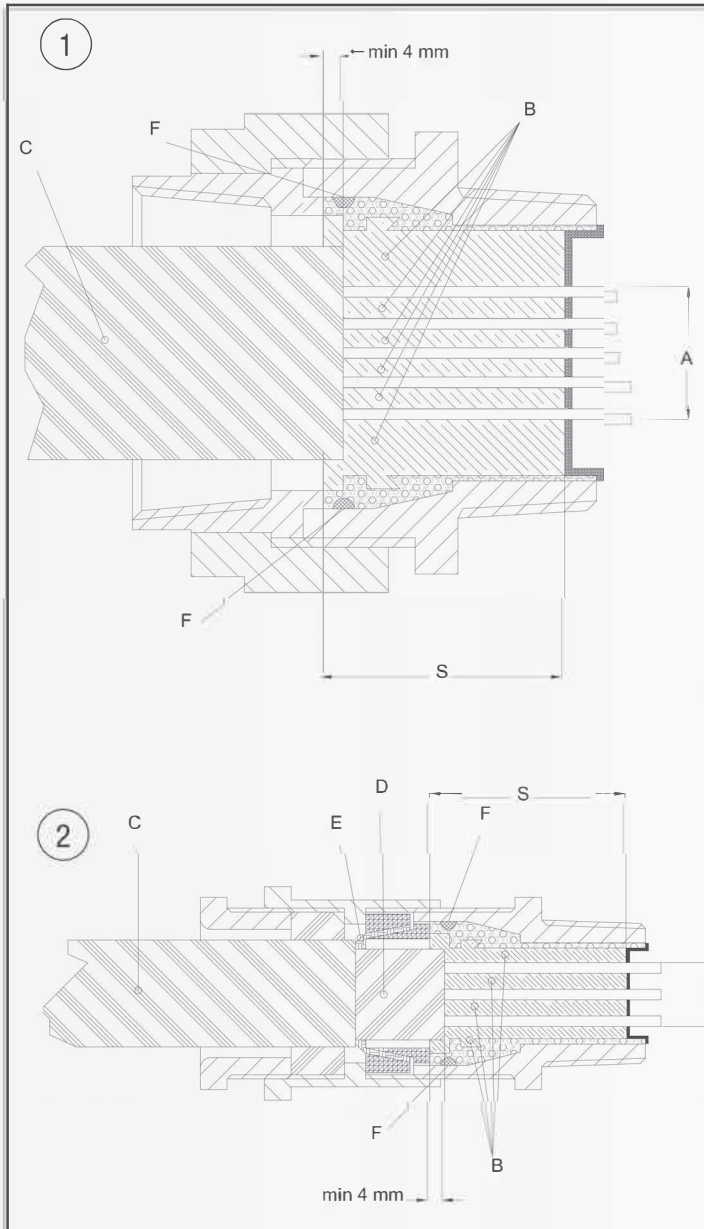
For sealing system, diameter and maximum number of conductors to be used see "Sealing method" chapter

**TECHNICAL NOTES:**

- The silicone o-ring for the IP protection for cylindrical threads (ISO metric) is supplied already assembled on cable gland
- Other materials upon request
- For "Ex i" intrinsically safe marking, blu nut RAL 5015 (example code FBN5BK1A)
- It's available upon request a version with mixed thread, of the same equivalence and size (example code for cable gland in nickel-plated brass Male 1"NPT - Female M32x1,5: FBN3NIBK)



## Sealing method of barrier cable glands



### Note:

1. Amount of resin  $S \geq 20\text{mm}$
2. a= sealed conductors
3. b= bi-component resin
4. c= external sheat of cable
5. d= internal sheat of cable
6. e= cable armour
7. f= sealing ring for IP protection
8. min. 4 mm (sealing for external sheat of the cable mandatory)

### Examples of resined barrier cable glands:

1. FBF series for non-armoured cable
2. FGAB series for armoured cable
3. FB series for non-armoured cable

| DIMENSIONS (mm)                       |                                 |                             |                             |                      |
|---------------------------------------|---------------------------------|-----------------------------|-----------------------------|----------------------|
| Conductors section<br>mm <sup>2</sup> | Maximum number of<br>conductors | Ø internal cable<br>min-max | Ø external cable<br>min-max | Size NPT cable gland |
| 1,0                                   | 4                               | 5-10                        | 8-14                        | 1/2"                 |
| 1,5                                   | 7                               | 5-13                        | 8-18                        | 1/2"                 |
|                                       | 12                              | 11-18                       | 17-25                       | 3/4"                 |
|                                       | 27                              | 17-24                       | 23-32                       | 1"                   |
|                                       | 37                              | 23-30                       | 29-39                       | 1 1/4"               |
| 2,5                                   | 5                               | 5-13                        | 8-18                        | 1/2"                 |
|                                       | 10                              | 11-18                       | 17-25                       | 3/4"                 |
|                                       | 19                              | 17-24                       | 23-32                       | 1"                   |
| 4,0                                   | 3                               | 5-13                        | 8-18                        | 1/2"                 |
|                                       | 5                               | 11-18                       | 17-25                       | 3/4"                 |
| 6,0                                   | 1                               | 5-13                        | 8-18                        | 1/2"                 |
|                                       | 5                               | 11-18                       | 17-25                       | 3/4"                 |
| 10,0                                  | 1                               | 5-13                        | 8-18                        | 1/2"                 |
|                                       | 3                               | 11-18                       | 17-25                       | 3/4"                 |
|                                       | 5                               | 17-24                       | 23-32                       | 1"                   |



| DIMENSIONS (mm)                       |                                 |                             |                             |                      |
|---------------------------------------|---------------------------------|-----------------------------|-----------------------------|----------------------|
| Conductors section<br>mm <sup>2</sup> | Maximum number of<br>conductors | Ø internal cable<br>min-max | Ø external cable<br>min-max | Size NPT cable gland |
| 16,0                                  | 1                               | 5-13                        | 8-18                        | 1/2"                 |
|                                       | 2                               | 11-18                       | 17-25                       | 3/4"                 |
|                                       | 4                               | 17-24                       | 23-32                       | 1"                   |
|                                       | 5                               | 23-30                       | 29-39                       | 1 ¼"                 |
| 25,0                                  | 1                               | 5-13                        | 8-18                        | 1/2"                 |
|                                       | 1                               | 11-18                       | 17-25                       | 3/4"                 |
|                                       | 3                               | 17-24                       | 23-32                       | 1"                   |
|                                       | 5                               | 23-30                       | 29-39                       | 1 ¼"                 |
| 35,0                                  | 1                               | 5-13                        | 8-18                        | 1/2"                 |
|                                       | 1                               | 11-18                       | 17-25                       | 3/4"                 |
|                                       | 3                               | 17-24                       | 23-32                       | 1"                   |
|                                       | 5                               | 23-30                       | 29-39                       | 1 ¼"                 |
| 50,0                                  | 1                               | 11-18                       | 17-25                       | 3/4"                 |
|                                       | 1                               | 17-24                       | 23-32                       | 1"                   |
|                                       | 3                               | 23-30                       | 29-39                       | 1 ¼"                 |
|                                       | 4                               | 29-38                       | 36-46                       | 1 ½"                 |
|                                       | 5                               | 36-49                       | 44-60                       | 2"                   |
| 70,0                                  | 1                               | 11-18                       | 17-25                       | 3/4"                 |
|                                       | 1                               | 17-24                       | 23-32                       | 1"                   |
|                                       | 2                               | 23-30                       | 29-39                       | 1 1/4"               |
|                                       | 4                               | 29-38                       | 36-46                       | 1 1/2"               |
|                                       | 5                               | 36-49                       | 44-60                       | 2"                   |
| 95,0                                  | 1                               | 17-24                       | 23-32                       | 1"                   |
|                                       | 1                               | 23-30                       | 29-39                       | 1 ¼"                 |
|                                       | 2                               | 29-38                       | 36-46                       | 1 ½"                 |
|                                       | 5                               | 36-49                       | 44-60                       | 2"                   |
| 120,0                                 | 1                               | 17-24                       | 23-32                       | 1"                   |
|                                       | 1                               | 23-30                       | 29-39                       | 1 ¼"                 |
|                                       | 1                               | 29-38                       | 36-46                       | 1 ½"                 |
|                                       | 4                               | 36-49                       | 44-60                       | 2"                   |
| 150,0                                 | 1                               | 17-24                       | 23-32                       | 1"                   |
|                                       | 1                               | 23-30                       | 29-39                       | 1 ¼"                 |
|                                       | 1                               | 29-38                       | 36-46                       | 1 ½"                 |
|                                       | 3                               | 36-49                       | 44-60                       | 2"                   |
|                                       | 4                               | 44-61                       | 51-70                       | 2 ½"                 |
| 185,0                                 | 1                               | 23-30                       | 29-39                       | 1 ¼"                 |
|                                       | 1                               | 29-38                       | 36-46                       | 1 ½"                 |
|                                       | 1                               | 36-49                       | 44-60                       | 2"                   |
|                                       | 4                               | 44-61                       | 51-70                       | 2 ½"                 |
| 240,0                                 | 1                               | 23-30                       | 29-39                       | 1 ¼"                 |
|                                       | 1                               | 29-38                       | 36-46                       | 1 ½"                 |
|                                       | 1                               | 36-49                       | 44-60                       | 2"                   |
|                                       | 3                               | 44-61                       | 51-70                       | 2 ½"                 |
|                                       | 4                               | 59-74                       | 65-84                       | 3"                   |
| 300,0                                 | 1                               | 29-38                       | 36-46                       | 1 ½"                 |
|                                       | 1                               | 36-49                       | 44-60                       | 2"                   |
|                                       | 1                               | 44-61                       | 51-70                       | 2 ½"                 |
|                                       | 4                               | 59-74                       | 65-84                       | 3"                   |
| 400,0                                 | 1                               | 23-30                       | 29-39                       | 1 ¼"                 |
|                                       | 1                               | 29-38                       | 36-46                       | 1 ½"                 |
|                                       | 1                               | 36-49                       | 44-60                       | 2"                   |
|                                       | 1                               | 44-61                       | 51-70                       | 2 ½"                 |
| 500,0                                 | 1                               | 29-37,5                     | 36-46                       | 1 ½"                 |
|                                       | 1                               | 36-48,5                     | 44-60                       | 2"                   |
|                                       | 1                               | 44-61                       | 51-70                       | 2 ½"                 |
| 630,0                                 | 1                               | 29-38                       | 36-46                       | 1 ½"                 |
|                                       | 1                               | 36-49                       | 44-60                       | 2"                   |
|                                       | 1                               | 44-61                       | 51-70                       | 2 ½"                 |

