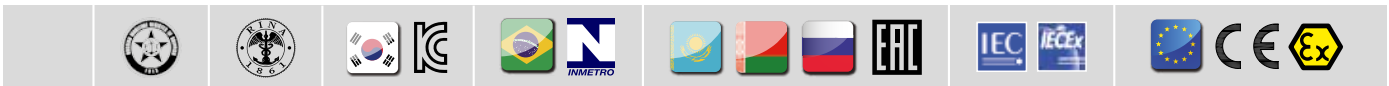




PNA Cable glands for unarmoured cables

Installation: hazardous areas - Zone 1 / 2 (Gases) - Zone 21 / 22 (Dusts)

Classification: Group II - Category 2G 2D



REFERENCE STANDARDS

Directive 94/9/EC (until April 19th, 2016) and Directive 2014/34/EU (from April 20th, 2016)

EXECUTION	⊕ II 2 G Ex d / Exe / Exia IIC Gb ⊕ II 2 D Ex tb IIIC Db
RULES OF COMPLIANCE	EN/IEC 60079-0; EN/IEC 60079-1; EN/IEC 60079-7; EN/IEC 60079-31
EC Type-Examination Certificate	INERIS 09 ATEX 0028X
PROTECTION DEGREE	IP66 or IP66/68
AMBIENT TEMPERATURE	-40°C ÷ +90°C (Rubber rings EPDM-60) -60°C ÷ +180°C (Rubber rings SILICON)
OTHER AVAILABLE CERTIFICATES	IECEX: IECEX INE 11.0017X INMETRO: CEPEL 12.2175X EAC: TC RU C-IT.Г508.B 01624 (-75°C ÷ +180°C) RINA: ELE18111CS_016 RUSSIAN MARINE CERTIFICATE (RMRS): 13.03518.315 Kc (Korean certification):14-KB4B0-0455X

Mechanical characteristics

Body / cap	OT-58 marine brass (ON) - AISI-316L stainless steel (IX)
Finishes	full nickel plating treatment (brass material only)
Rubber rings	EPDM rubber- 50-60 shore hardness - Silicon rubber - 60 shore hardness
O-ring	silicon rubber - 60 shore hardness
Skid washer	nylon 6.0
Chamber for sealing	OT-58 marine brass ("R" version only)

Applications

- For unarmoured cables only
- Single compression type suitable for indoor and outdoor use
- Single compression - on cable (inner sealing)
- Sealing with proper resin into "chamber of sealing" (on barrier type version "R" only)

On Request Accessories:

- Locknuts, Gaskets, PVC Shrouds, Earthing Tags, Sealing (See DL-NW-PTD-ET bulletin)



PNA Cable gland selection table

PNA

CODE	SIZE	ENTRY THREAD SIZE				INNER SHEATH DIA.		HEXAGON ⌀	MATERIAL			
		METRIC	NPT	UNI ISO 228	min [mm]	max [mm]	[mm]		(3)			
PNA# PNA-R#	00*	ISO-M20	M	1/2"NPT	N	1/2"	G	4,0	7,0	24,0	NICKEL PL.BRASS	ON
								7,0	10,0		STAINLESS STEEL	IX
PNA# PNA-R#	01	ISO-M20	M	1/2"NPT	N	1/2"	G	5,5	8,0	32,0	NICKEL PL.BRASS	ON
								8,0	10,5		STAINLESS STEEL	IX
								10,5	13,0			
PNA# PNA-R#	02	ISO-M25	M	3/4"NPT	N	3/4"	G	10,5	13,0	36,0	NICKEL PL.BRASS	ON
								13,0	15,5		STAINLESS STEEL	IX
								15,5	18,0			
PNA# PNA-R#	03	ISO-M32	M	1"NPT	N	1"	G	15,0	18,0	45,0	NICKEL PL.BRASS	ON
								18,0	21,0		STAINLESS STEEL	IX
								21,0	24,0			
PNA# PNA-R#	04	ISO-M40	M	1 1/4"NPT	N	1 1/4"	G	21,0	24,0	53,0	NICKEL PL.BRASS	ON
								24,0	27,0		STAINLESS STEEL	IX
								27,0	30,0			
PNA# PNA-R#	05	ISO-M50	M	1 1/2"NPT	N	1 1/2"	G	24,0	27,0	61,0	NICKEL PL.BRASS	ON
								27,0	30,0		STAINLESS STEEL	IX
								30,0	33,0			
								33,0	36,0			
PNA# PNA-R#	06	ISO-M63	M	2"NPT	N	2"	G	36,0	39,0	71,0	NICKEL PL.BRASS	ON
								39,0	42,0		STAINLESS STEEL	IX
								42,0	45,0			
PNA# PNA-R#	07	ISO-M75	M	2 1/2"NPT	N	2 1/2"	G	42,0	45,0	84,0	NICKEL PL.BRASS	ON
								45,0	48,0		STAINLESS STEEL	IX
								48,0	51,0			
								51,0	54,0			
								54,0	57,0			
PNA# PNA-R#	08	ISO-M90	M	3"NPT	N	3"	G	52,0	56,0	101,0	NICKEL PL.BRASS	ON
								56,0	59,0		STAINLESS STEEL	IX
								59,0	62,0			
								62,0	65,0			
								65,0	68,0			
PNA# PNA-R#	09	ISO-M100	M	4"NPT	N	4"	G	68,0	74,0	126,0	NICKEL PL.BRASS	ON
								74,0	80,0		STAINLESS STEEL	IX
								80,0	86,0			
								86,0	92,0			

CABLE GLAND ORDERING EXAMPLES

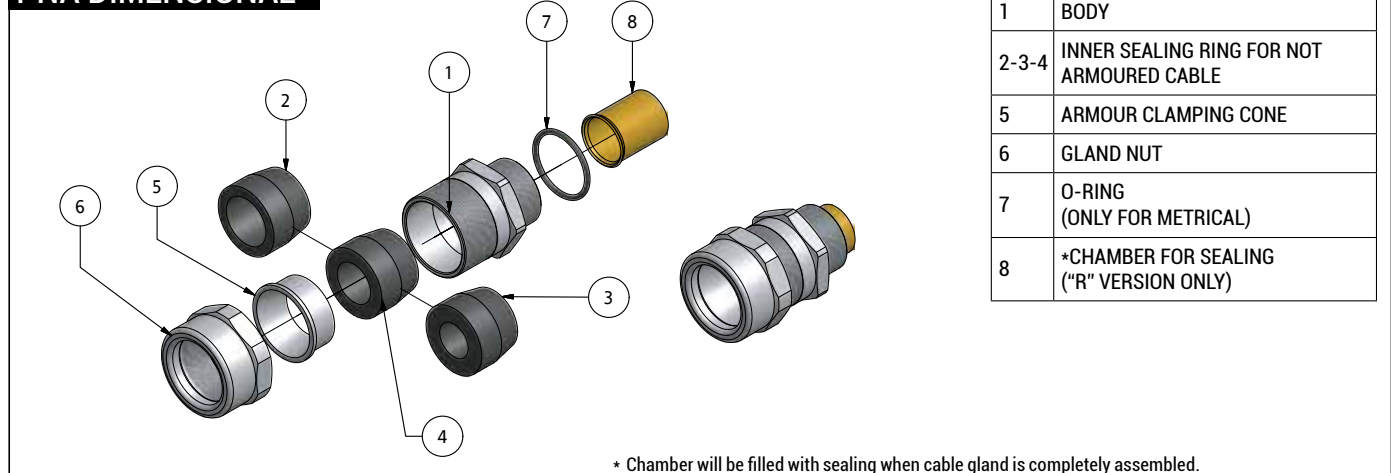
PNA#	01	M	ON	= PNA#01MON (NON-BARRIER CABLE GLAND NICKEL PLATED BRASS ISO-M20 THR.)
PNA#	03	N	IX	= PNA#03NIX (NON-BARRIER CABLE GLAND STAINLESS STEEL 1/2"NPT THR.)

***NOTE:** 00 SIZE WITH ISO-M16 OR 3/8"NPT - 3/8"ISO-228 BODY, ON REQUEST

LEGEND

(1)	CABLE GLAND TYPE/MODEL	PNA# = NON-BARRIER CABLE GLAND - PNA-R# = BARRIER CABLE GLAND
(2)	THREADING	M = ISO METRIC pitch 1,5mm - N = NPT (ANSI/ASME B1.20.1) - G = UNI ISO-228
(3)	CABLE GLAND MATERIAL	ON = NICKEL PLATED MARINE BRASS - IX = AISI-316L STAINLESS STEEL

PNA DIMENSIONAL



REMARK:

Due to the development of the national and international specifications and of the technology, the above technical characteristics showed on this bulletin can be considered as binding on our confirmation only.

comm@antideflagrante.com

PNAF Cable glands for unarmoured cables

Explosion Proof Electrical Equipment



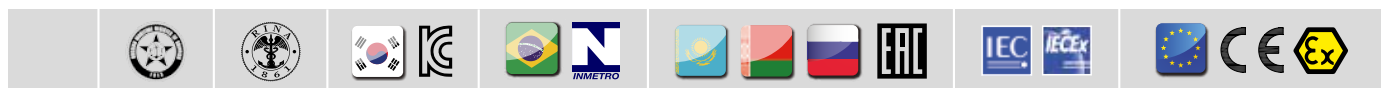
Ex Cable Glands

Installation: hazardous areas - Zone 1 / 2 (Gases) - Zone 21 / 22 (Dusts)

Classification: Group II - Category 2G 2D



PNAF



REFERENCE STANDARDS

Directive 94/9/EC (until April 19th, 2016) and Directive 2014/34/EU (from April 20th, 2016)

EXECUTION	⊕ II 2 G Ex d / Exe / Exia IIC Gb ⊕ II 2 D Ex tb IIIC Db
RULES OF COMPLIANCE	EN/IEC 60079-0; EN/IEC 60079-1; EN/IEC 60079-7; EN/IEC 60079-31
EC Type-Examination Certificate	INERIS 09 ATEX 0028X
PROTECTION DEGREE	IP66 or IP66/68
AMBIENT TEMPERATURE	-40°C ÷ +90°C (Rubber rings EPDM-60) -60°C ÷ +180°C (Rubber rings SILICON)
OTHER AVAILABLE CERTIFICATES	IECEX: IECEx INE 11.0017X INMETRO: CEPEL 12.2175X EAC: TC RU C-IT.Γ508.B 01624 (-75°C ÷ +180°C) RINA: ELE1811CS_016 RUSSIAN MARINE CERTIFICATE (RMRS): 13.03518.315 Kc (Korean certification):14-KB4B0-0455X

Mechanical characteristics

Body / cap	OT-58 marine brass (ON) - AISI-316L stainless steel (IX)
Finishes	full nickel plating treatment (brass material only)
Rubber rings	EPDM rubber- 50-60 shore hardness - Silicon rubber - 60 shore hardness
O-ring	silicon rubber - 60 shore hardness
Skid washer	nylon 6.0
Chamber for sealing	OT-58 marine brass ("R" version only)

Applications

For unarmoured cables only
Suitable for flexible conduit coupling connection by threaded cap (uni iso 228)
Single compression type suitable for indoor and outdoor use
Single compression - on cable (inner sealing)
Sealing with proper resin into "chamber of sealing" (on barrier type version "R" only)

On Request Accessories:

- Locknuts, Gaskets, PVC Shrouds, Earthing Tags, Sealing (See DL-NW-PTD-ET bulletin)



PNAF Cable gland selection table

PNAF

CODE (1)	SIZE	ENTRY THREAD SIZE					INNER SHEATH DIA		FEMALE THREAD UNI ISO 228 (4)	EXAG. [mm]	MATERIAL		
		METRIC (2)	NPT (2)		UNI ISO 228 (2)	min [mm]	max [mm]	(3)			(3)		
PNAF# PNAF-R#	01	ISO-M20	M	1/2"NPT	N	1/2"	G	5,5	8,0	1/2"	32,0	NICKEL PL.BRASS	ON
								8,0	10,5			STAINLESS STEEL	IX
								10,5	13,0				
PNAF# PNAF-R#	02	ISO-M25	M	3/4"NPT	N	3/4"	G	10,5	13,0	3/4"	36,0	NICKEL PL.BRASS	ON
								13,0	15,5			STAINLESS STEEL	IX
								15,5	18,0				
PNAF# PNAF-R#	03	ISO-M32	M	1"NPT	N	1"	G	15,0	18,0	1"	45,0	NICKEL PL.BRASS	ON
								18,0	21,0			STAINLESS STEEL	IX
								21,0	24,0				
PNAF# PNAF-R#	04	ISO-M40	M	1 1/4"NPT	N	1 1/4"	G	21,0	24,0	1 1/4"	53,0	NICKEL PL.BRASS	ON
								24,0	27,0			STAINLESS STEEL	IX
								27,0	30,0				
PNAF# PNAF-R#	05	ISO-M50	M	1 1/2"NPT	N	1 1/2"	G	24,0	27,0	1 1/2"	61,0	NICKEL PL.BRASS	ON
								27,0	30,0			STAINLESS STEEL	IX
								30,0	33,0				
PNAF# PNAF-R#	06	ISO-M63	M	2"NPT	N	2"	G	33,0	36,0	2"	71,0	NICKEL PL.BRASS	ON
								36,0	39,0			STAINLESS STEEL	IX
								39,0	42,0				
PNAF# PNAF-R#	07	ISO-M75	M	2 1/2"NPT	N	2 1/2"	G	42,0	45,0	2 1/2"	84,0	NICKEL PL.BRASS	ON
								45,0	48,0			STAINLESS STEEL	IX
								48,0	51,0				
PNAF# PNAF-R#	08	ISO-M90	M	3"NPT	N	3"	G	51,0	54,0	3"	101,0	NICKEL PL.BRASS	ON
								54,0	57,0			STAINLESS STEEL	IX
								57,0	60,0				
PNAF# PNAF-R#	09	ISO-M100	M	4"NPT	N	4"	G	60,0	63,0	4"	126,0	NICKEL PL.BRASS	ON
								63,0	66,0			STAINLESS STEEL	IX
								66,0	69,0				

CABLE GLAND ORDERING EXAMPLES

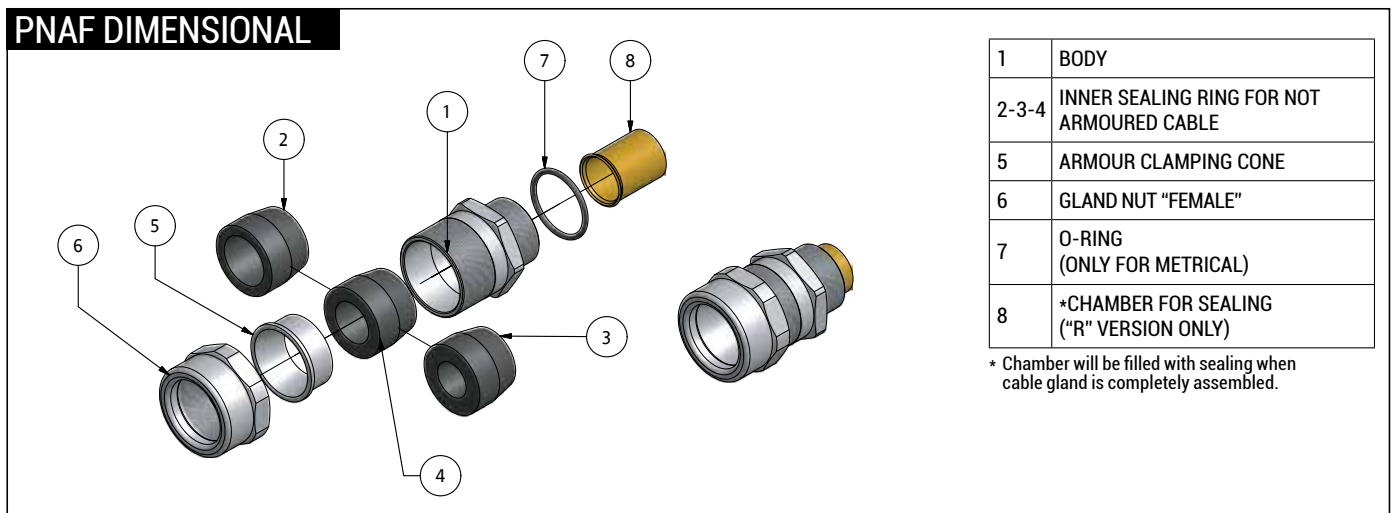
PNAF#	01	M	ON	= PNAF#01MON (NON-BARRIER CABLE GLAND NICKEL PLATED BRASS ISO-M20 THR.)
PNAF#	03	N	IX	= PNAF#03NIX (NON-BARRIER CABLE GLAND STAINLESS STEEL 1/2"NPT THR.)

*NOTE: 00 SIZE WITH ISO-M16 OR 3/8"NPT - 3/8"ISO-228 BODY, ON REQUEST

LEGENDA

(1)	CABLE GLAND TYPE/MODEL	PNAF# = NON-BARRIER CABLE GLAND - PNAF-R# = BARRIER CABLE GLAND
(2)	THREADING	M = ISO METRIC pitch 1,5mm - N = NPT (ANSI/ASME B1.20.1) - G = UNI ISO-228
(3)	CABLE GLAND MATERIAL	ON = NICKEL PLATED MARINE BRASS - IX = AISI-316L STAINLESS STEEL
(4)	FEMALE THREAD	UNI ISO-228 FEMALE THREAD SUITABLE FOR FLEXIBLE CONDUIT COUPLING

PNAF DIMENSIONAL



REMARK:

Due to the development of the national and international specifications and of the technology, the above technical characteristics showed on this bulletin can be considered as binding on our confirmation only.

comm@antideflagrante.com

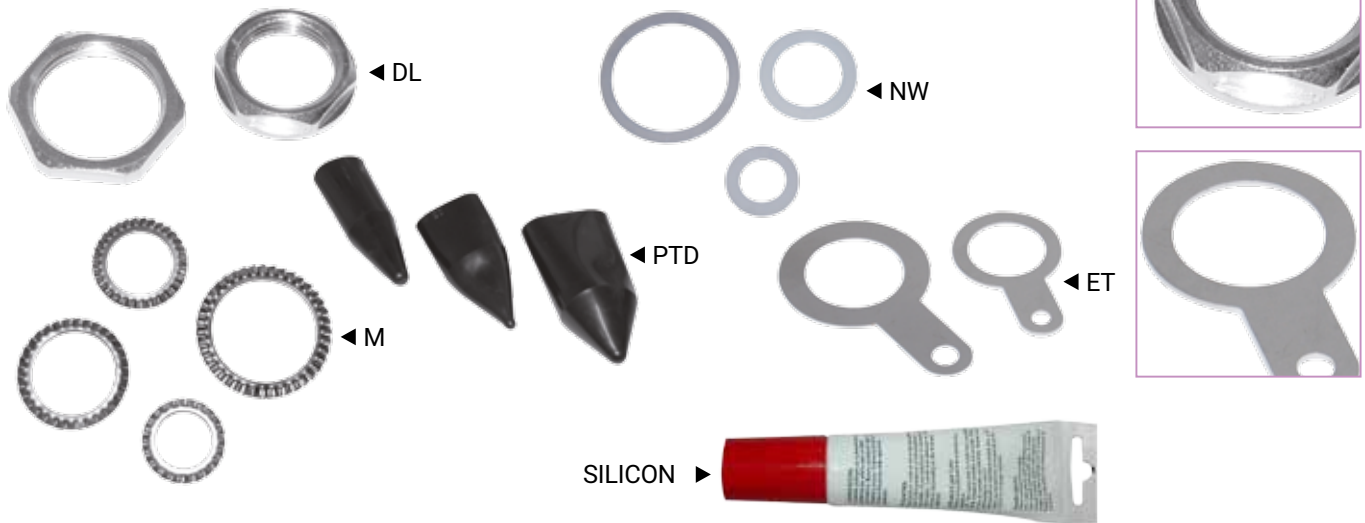


DL-NW-PTD-ET

Cable glands accessories

Installation: hazardous areas - Zone 1 / 2 (Gases) - Zone 21 / 22 (Dusts)

Classification: Group II - Category 2G 2D



Mechanical characteristics

LOCKNUTS

Material	nichel plated brass
Finishes	full nickel plating treatment (brass material only)

SHORUDS

Material	PVC
----------	-----

GASKETS

Material	nylon 6.0
----------	-----------

EARTH TAGS

Material	stainless steel
----------	-----------------

Applications

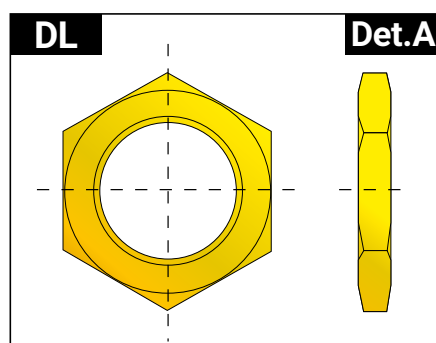
Locknuts	Are preferred items used in securing cable glands to the gland plate especially to plastic junction boxes
Shoruds	For all tipe of glands application where additional protection is required
Silicone sealant	Is provided for submission of barrier cable glands type-R
Gaskets	Are used to maintain the ip rating across the interface between the equipment and relevant cable gland
Earth tags	Are used to ensure earth continuity and grounding of cable armour



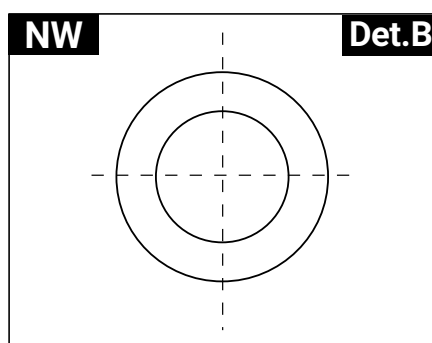
Technical Features

DL-NW-PTD-ET

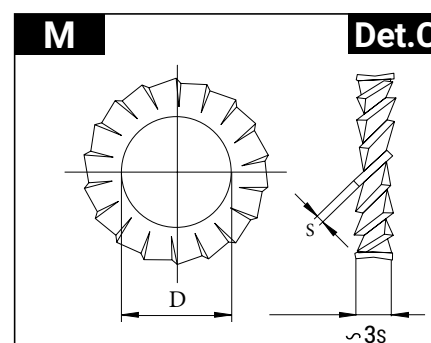
LOCKNUTS			
DETAIL A	THREADS / SIZE		
TYPE	NPT	UNI-228	ISO
DL0	3/8"	3/8"	M16
DL1	1/2"	1/2"	M20
DL2	3/4"	3/4"	M25
DL3	1"	1"	M32
DL4	1-1/4"	1-1/4"	M40
DL5	1-1/2"	1-1/2"	M50
DL6	2"	2"	M63
DL7	2-1/2"	2-1/2"	M75
DL8	3"	3"	M90
DL9	4"	4"	M100



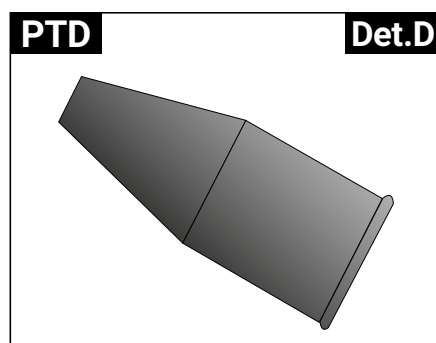
GASKETS			
DETAIL B	THREADS / SIZE		
TYPE	NPT	UNI-228	ISO
NW0	3/8"	3/8"	M16
NW1	1/2"	1/2"	M20
NW2	3/4"	3/4"	M25
NW3	1"	1"	M32
NW4	1-1/4"	1-1/4"	M40
NW5	1-1/2"	1-1/2"	M50
NW6	2"	2"	M63
NW7	2-1/2"	2-1/2"	M75
NW8	3"	3"	M90
NW9	4"	4"	M100



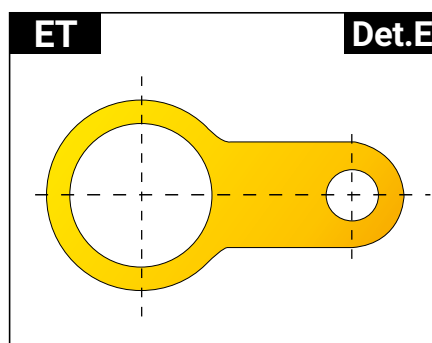
WASHERS		
TYPE	ØD [mm]	DETAIL
M20	20	C
M25	25	C
M32	32	C
M40	40	C
M50	50	C
M63	63	C



SHROUDS			
DETAIL D	THREADS / SIZE		
TYPE	NPT	UNI-228	ISO
PTD0	3/8"	3/8"	M16
PTD1	1/2"	1/2"	M20
PTD2	3/4"	3/4"	M25
PTD3	1"	1"	M32
PTD4	1-1/4"	1-1/4"	M40
PTD5	1-1/2"	1-1/2"	M50
PTD6	2"	2"	M63
PTD7	2-1/2"	2-1/2"	M75
PTD8	3"	3"	M90
PTD9	4"	4"	M100



EARTHS TAGS			
DETAIL E	THREADS / SIZEE		
TYPE	NPT	UNI-228	ISO
ET0	3/8"	3/8"	M16
ET1	1/2"	1/2"	M20
ET2	3/4"	3/4"	M25
ET3	1"	1"	M32
ET4	1-1/4"	1-1/4"	M40
ET5	1-1/2"	1-1/2"	M50
ET6	2"	2"	M63
ET7	2-1/2"	2-1/2"	M75
ET8	3"	3"	M90
ET9	4"	4"	M100



SILICON SEALANT	
CABLE GLANDS SIZE	Q.TY SEALING [ml]
0	2
1	3
2	6
3	15
4	20
5	30
6	50
7	100
8	150
9	160



REMARK:
Due to the development of the national and international specifications and of the technology, the above technical characteristics showed on this bulletin can be considered as binding on our confirmation only.