

BMF three pieces unions Fixed male/Turning female - IIB

BMF series three pieces unions for IIB gas group enable an independent rotation and the connection between pipes, enclosures or different equipment.

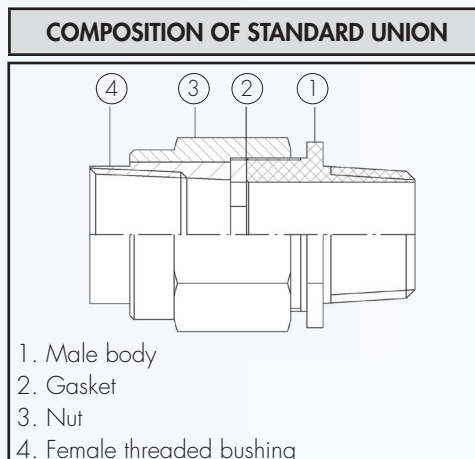


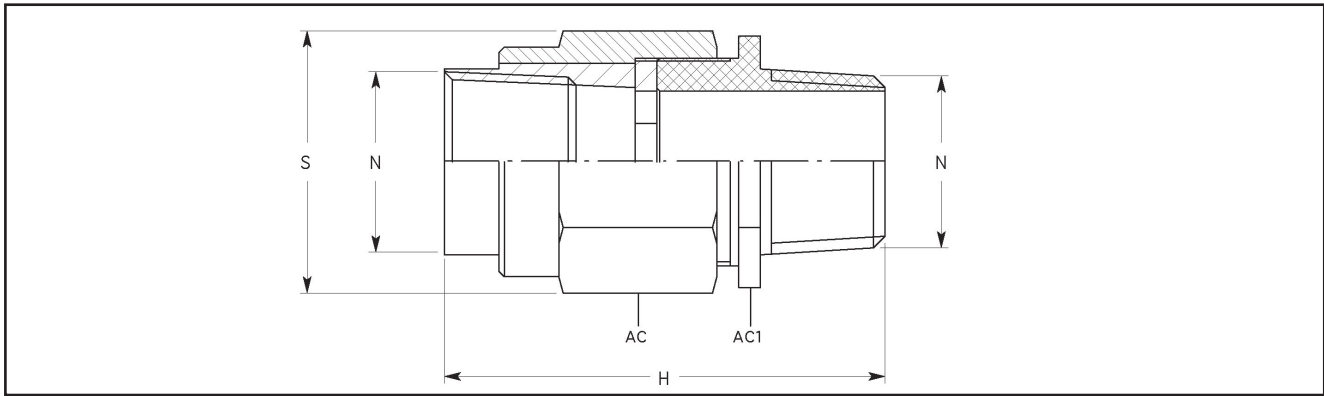
Classification: 2014/34/UE	Group II	Category 2GD
Installation: EN 60079.14	zone 1 - zone 2 (Gas)	zone 21 - zone 22 (Dust)
Marking:	CE 0722 Ex II 2 GD Ex db IIB Gb Ex tb IIIC Db IP66/67 (B..)	
Certification:	ATEX	CESI 99 ATEX 034U
	IECEX	IECEX CES 10.0002U
	TR CU	AVAILABLE

All IEC Ex and TR CU certification data contact comm@antideflagrantiqce.com

Standards:	CENELEC EN 60079-0: 2012+A11:2013, EN 60079-1: 2014, EN 60079-31: 2014 and EUROPEAN DIRECTIVE 2014/34/UE IEC60079-0: 2011, IEC60079-1: 2007-04, IEC60079-31: 2008 Directive RoHS 2002/95/CE
Degree of protection:	IP66/67

🌡️ Operating temperature:			
Three pieces unions series	Materials	Gaskets	Ambient temperature
BMF..	Galvanised steel (G), Nickel-plated brass (B)	Silicone	-20°C +60°C
BMF...S	Stainless steel (S)	Silicone	-60°C +60°C

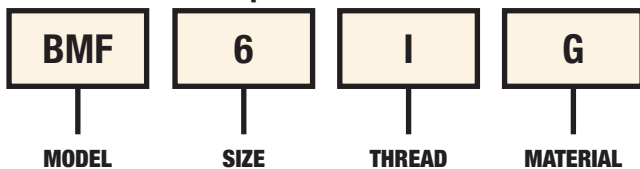




UNIONS SELECTION TABLE

Code In galvanised steel	Thread N	Dimensions in mm				Weight Kg
		H	S	AC	AC1	
BMF1G	1/2" ISO7/1	60	35	30	27	0,150
BMF2G	3/4" ISO7/1	61	40	35	32	0,185
BMF3G	1" ISO7/1	71,5	48	42	40	0,300
BMF4G	1 1/4" ISO7/1	86	60	55	59	0,760
BMF5G	1 1/2" ISO7/1	86,5	75	70	67	1,000
BMF6G	2" ISO7/1	88	90	84	77	1,400
BMF7G	2 1/2" ISO7/1	107	117	108	99	2,350
BMF8G	3" ISO7/1	109	132	121	108	2,800
BMF10G	4" ISO7/1	116,5	152	145	135	4,160
BMF1NG	1/2" NPT	60	35	30	27	0,150
BMF2NG	3/4" NPT	61	40	35	32	0,185
BMF3NG	1" NPT	71,5	48	42	40	0,300
BMF4NG	1 1/4" NPT	86	60	55	59	0,760
BMF5NG	1 1/2" NPT	86,5	75	70	67	1,000
BMF6NG	2" NPT	88	90	84	77	1,400
BMF7NG	2 1/2" NPT	107	117	108	99	2,350
BMF8NG	3" NPT	109	132	121	108	2,800
BMF10NG	4" NPT	116,5	152	145	135	4,160
BMF1IG	M20x1,5	60	35	30	27	0,150
BMF2IG	M25x1,5	61	40	35	32	0,185
BMF3IG	M32x1,5	71,5	48	42	40	0,300
BMF4IG	M40x1,5	86	60	55	59	0,760
BMF5IG	M50x1,5	86,5	75	70	67	1,000
BMF6IG	M63x1,5	88	90	84	77	1,400
BMF7IG	M75x1,5	107	117	108	99	2,350
BMF8IG	M90x1,5	109	132	121	108	2,800
BMF10IG	M100x1,5	116,5	152	145	135	4,160

Order code example



TECHNICAL NOTES:

- The silicone O-ring for the IP protection for cylindrical threads (ISO metric) is supplied already assembled on the union
- Available also in stainless steel (example code **BMF1S**)
- Available also upon request in nickel-plated brass (example code **BMF1B**)
- It is possible supply mixed thread, of the same equivalence, adding code for female thread (sample code for fitting in galvanised steel Male 1"NPT - Female M32x1,5: **BMF3NIG**)

BFF three pieces unions Fixed female / Turning female - IIB

BFF series three pieces unions for IIB gas group enable an independent rotation and connection between pipes, enclosures or different equipment.



Classification: 2014/34/UE	Group II	Category 2GD
Installation: EN 60079.14	zone 1 - zone 2 (Gas)	zone 21 - zone 22 (Dust)
Marking:	CE 0722 Ex II 2 GD Ex db IIB Gb Ex tb IIIC Db IP66/67 (B..)	
Certification:	ATEX	CESI 99 ATEX 034U
	IECEX	IECEX CES 10.0002U
	TR CU	AVAILABLE

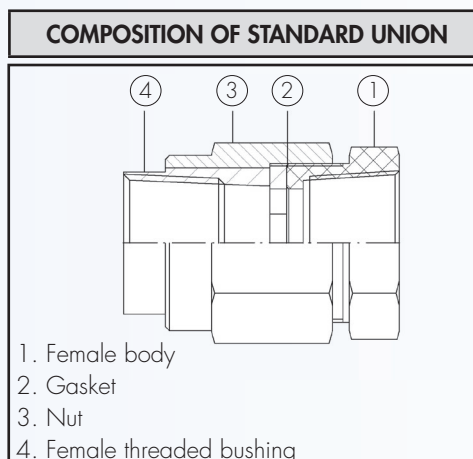
All IEC Ex and TR CU certification data contact comm@antideflagranticge.com

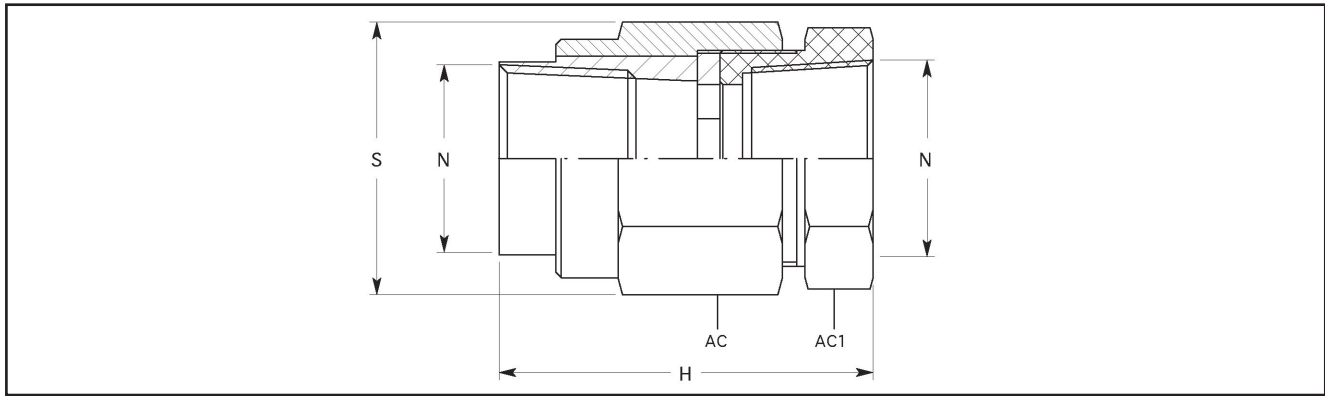
Standards:	CENELEC EN 60079-0: 2012+A11:2013, EN 60079-1: 2014, EN 60079-31: 2014 and EUROPEAN DIRECTIVE 2014/34/UE IEC60079-0: 2011, IEC60079-1: 2007-04, IEC60079-31: 2008 Directive RoHS 2002/95/CE
-------------------	--

Degree of protection:	IP66/67
------------------------------	---------

Operating temperature:

Three pieces unions series	Materials	Gaskets	Ambient temperature
BFF...	Galvanised steel (G), Nickel-plated brass (B)	Silicone	-20°C +60°C
BFF...S	Stainless steel (S)	Silicone	-60°C +60°C

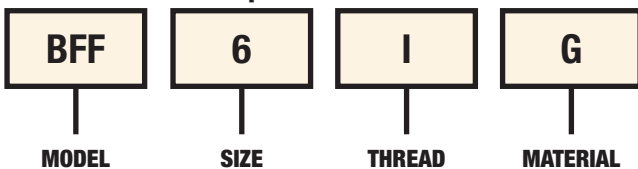




UNIONS SELECTION TABLE

Code In galvanised steel	Thread N	Dimensions in mm				Weight Kg
		H	S	AC	AC1	
BFF1G	1/2" ISO7/1	57	35	30	27	0,125
BFF2G	3/4" ISO7/1	57	40	35	32	0,150
BFF3G	1" ISO7/1	67	48	42	40	0,235
BFF4G	1 1/4" ISO7/1	63	60	55	59	0,640
BFF5G	1 1/2" ISO7/1	63	75	70	67	0,960
BFF6G	2" ISO7/1	64	90	84	77	1,220
BFF7G	2 1/2" ISO7/1	71	117	108	99	2,240
BFF8G	3" ISO7/1	71	132	121	108	2,600
BFF10G	4" ISO7/1	77	152	145	135	3,700
BFF1NG	1/2" NPT	57	35	30	27	0,125
BFF2NG	3/4" NPT	57	40	35	32	0,150
BFF3NG	1" NPT	67	48	42	40	0,235
BFF4NG	1 1/4" NPT	63	60	55	59	0,640
BFF5NG	1 1/2" NPT	63	75	70	67	0,960
BFF6NG	2" NPT	64	90	84	77	1,220
BFF7NG	2 1/2" NPT	71	117	108	99	2,240
BFF8NG	3" NPT	71	132	121	108	2,600
BFF10NG	4" NPT	77	152	145	135	3,700
BFF1IG	M20x1,5	57	35	30	27	0,125
BFF2IG	M25x1,5	57	40	35	32	0,150
BFF3IG	M32x1,5	67	48	42	40	0,235
BFF4IG	M40x1,5	63	60	55	59	0,640
BFF5IG	M50x1,5	63	75	70	67	0,960
BFF6IG	M63x1,5	64	90	84	77	1,220
BFF7IG	M75x1,5	71	117	108	99	2,240
BFF8IG	M90x1,5	71	132	121	108	2,600
BFF10IG	M100x1,5	77	152	145	135	3,700

Order code example



TECHNICAL NOTES:

- The silicone O-ring for the IP protection for cylindrical threads (ISO metric) is supplied already assembled on the union
- Available also in stainless steel (example code BFF1S)
- Available also upon request in nickel-plated brass (example code BFF1B)

BMM Three pieces unions Fixed male / Turning Male - IIB

BMM series three pieces unions for IIB gas group enable an independent rotation and connection between pipes, enclosures or different equipment.



Classification: 2014/34/UE	Group II	Category 2GD
Installation: EN 60079.14	zone 1 - zone 2 (Gas)	zone 21 - zone 22 (Dust)
Marking:	CE 0722 Ex II 2 GD Ex db IIB Gb Ex tb IIIC Db IP66/67 (B..)	
Certification:	ATEX	CESI 99 ATEX 034U
	IECEX	IECEX CES 10.0002U
	TR CU	AVAILABLE

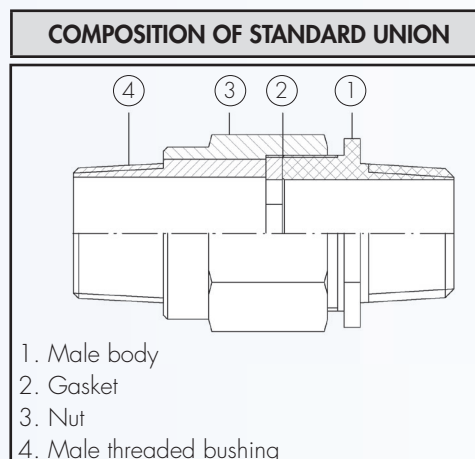
All IEC Ex and TR CU certification data contact comm@antideflagranticge.com

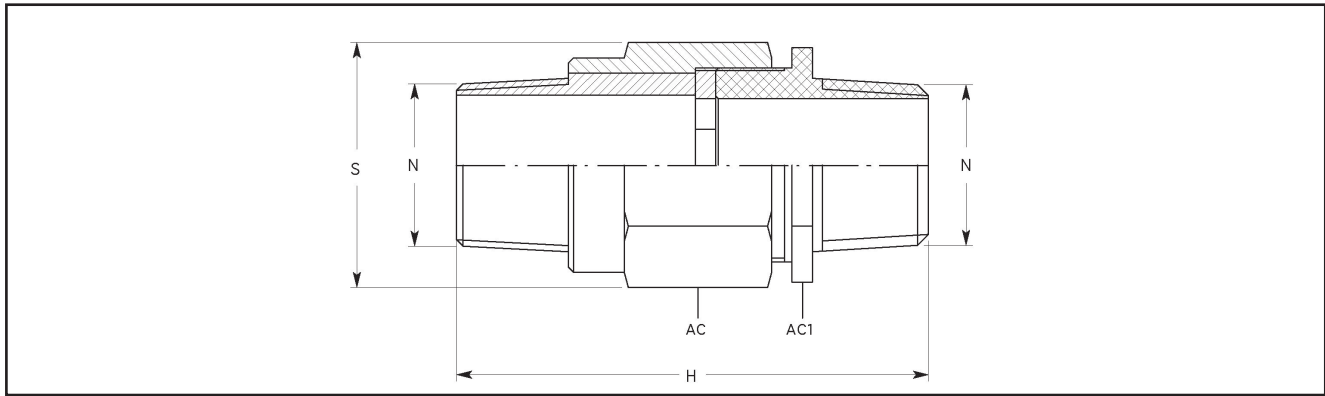
Standards:	CENELEC EN 60079-0: 2012+A11:2013, EN 60079-1: 2014, EN 60079-31: 2014 and EUROPEAN DIRECTIVE 2014/34/UE IEC60079-0: 2011, IEC60079-1: 2007-04, IEC60079-31: 2008 Directive RoHS 2002/95/CE
-------------------	--

Degree of protection:	IP66/67
------------------------------	---------

Operating temperature:

Three pieces unions series	Materials	Gaskets	Ambient temperature
BMM...	Galvanised steel (G), Nickel-plated brass (B)	Silicone	-20°C +60°C
BMM...S	Stainless steel (S)	Silicone	-60°C +60°C

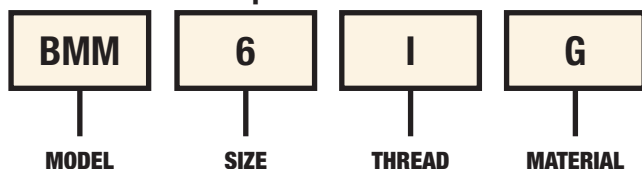




UNIONS SELECTION TABLE

Code In galvanised steel	Thread N	Dimensions in mm				Weight Kg
		H	S	AC	AC1	
BMM1G	1/2" ISO7/1	64	35	30	27	0,125
BMM2G	3/4" ISO7/1	66	40	35	32	0,150
BMM3G	1" ISO7/1	76	48	42	40	0,235
BMM4G	1 1/4" ISO7/1	91	60	55	59	0,640
BMM5G	1 1/2" ISO7/1	92	75	70	67	0,960
BMM6G	2" ISO7/1	94	90	84	77	1,220
BMM7G	2 1/2" ISO7/1	118	117	108	99	2,240
BMM8G	3" ISO7/1	122	132	121	108	2,600
BMM10G	4" ISO7/1	132	152	145	135	3,700
BMM1NG	1/2" NPT	64	35	30	27	0,125
BMM2NG	3/4" NPT	66	40	35	32	0,150
BMM3NG	1" NPT	76	48	42	40	0,235
BMM4NG	1 1/4" NPT	91	60	55	59	0,640
BMM5NG	1 1/2" NPT	92	75	70	67	0,960
BMM6NG	2" NPT	94	90	84	77	1,220
BMM7NG	2 1/2" NPT	118	117	108	99	2,240
BMM8NG	3" NPT	122	132	121	108	2,600
BMM10NG	4" NPT	132	152	145	135	3,700
BMM1IG	M20x1,5	64	35	30	27	0,125
BMM2IG	M25x1,5	66	40	35	32	0,150
BMM3IG	M32x1,5	76	48	42	40	0,235
BMM4IG	M40x1,5	91	60	55	59	0,640
BMM5IG	M50x1,5	92	75	70	67	0,960
BMM6IG	M63x1,5	94	90	84	77	1,220
BMM7IG	M75x1,5	118	117	108	99	2,240
BMM8IG	M90x1,5	122	132	121	108	2,600
BMM10IG	M100x1,5	132	152	145	135	3,700

Order code example



TECHNICAL NOTES:

- The silicone O-ring for the IP protection for cylindrical threads (ISO metric) is supplied already assembled on the union
- Available also in stainless steel (example code BMM1S)
- Available also upon request in nickel-plated brass (example code BMM1B)

RBMF three pieces unions Fixed male / Turning Female - IIB high temperatures

RBMF series three pieces unions suitable for IIB gas group and extreme temperatures enable an independent rotation and connection between pipes, enclosures or different equipment.



Classification: 2014/34/UE	Group II	Category 2GD
Installation: EN 60079.14	zone 1 - zone 2 (Gas)	zone 21 - zone 22 (Dust)
Marking:	CE 0722 Ex II 2 GD Ex db IIB Gb Ex tb IIIC Db IP66/67 (RB..)	
Certification:	ATEX	CESI 99 ATEX 034U
	IECEX	IECEX CES 10.0002U
	TR CU	AVAILABLE

All IEC Ex and TR CU certification data contact comm@antideflagranticge.com

Standards:	CENELEC EN 60079-0: 2012+A11:2013, EN 60079-1: 2014, EN 60079-31: 2014 and EUROPEAN DIRECTIVE 2014/34/UE IEC60079-0: 2011, IEC60079-1: 2007-04, IEC60079-31: 2008 Directive RoHS 2002/95/CE
-------------------	--

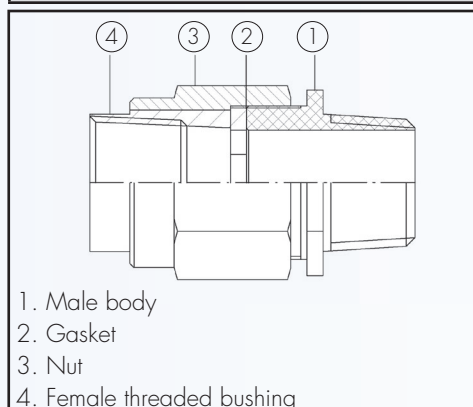
Degree of protection:	IP66/67
------------------------------	---------

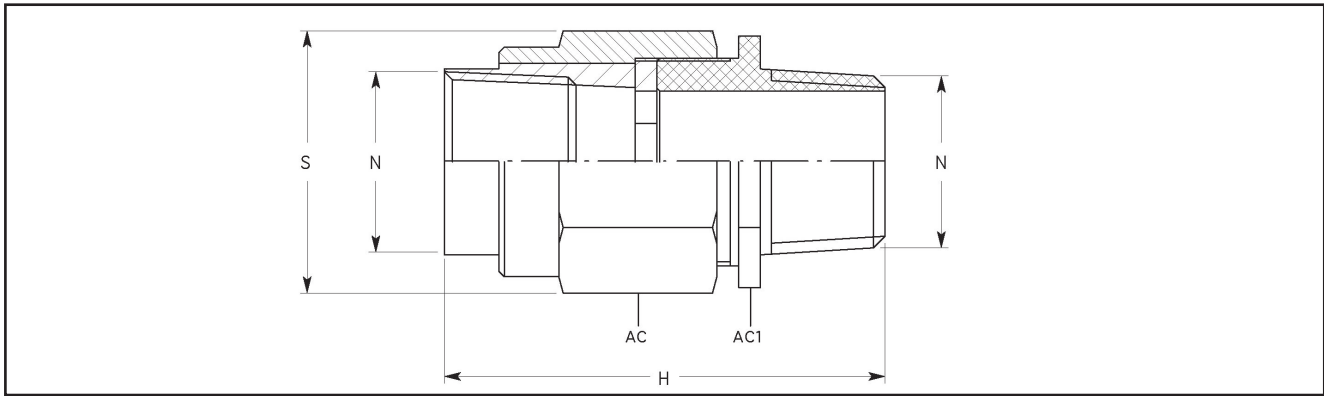


Operating temperature:

Three pieces unions series	Materials	Gaskets	Ambient temperature
RBMF..	Galvanised steel (G), Nickel-plated brass (B)	Silicone	-20°C +150°C
RBMF..S	Stainless steel (S)	Silicone	-60°C +150°C

COMPOSITION OF STANDARD UNION

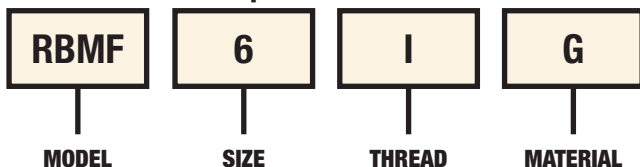




UNIONS SELECTION TABLE

Code In galvanised steel	Thread N	Dimensions in mm				Weight Kg
		H	S	AC	AC1	
RBMF1G	1/2" ISO7/1	71	35	30	27	0,150
RBMF2G	3/4" ISO7/1	72	40	35	32	0,185
RBMF3G	1" ISO7/1	82,5	48	42	40	0,300
RBMF4G	1 1/4" ISO7/1	86	60	55	59	0,760
RBMF5G	1 1/2" ISO7/1	86,5	75	70	67	1,000
RBMF6G	2" ISO7/1	88	90	84	77	1,400
RBMF7G	2 1/2" ISO7/1	107	117	108	99	2,350
RBMF8G	3" ISO7/1	109	132	121	108	2,800
RBMF10G	4" ISO7/1	116,5	152	145	135	4,160
RBMF1NG	1/2" NPT	71	35	30	27	0,150
RBMF2NG	3/4" NPT	72	40	35	32	0,185
RBMF3NG	1" NPT	82,5	48	42	40	0,300
RBMF4NG	1 1/4" NPT	86	60	55	59	0,760
RBMF5NG	1 1/2" NPT	86,5	75	70	67	1,000
RBMF6NG	2" NPT	88	90	84	77	1,400
RBMF7NG	2 1/2" NPT	107	117	108	99	2,350
RBMF8NG	3" NPT	109	132	121	108	2,800
RBMF10NG	4" NPT	116,5	152	145	135	4,160
RBMF1IG	M20x1,5	71	35	30	27	0,150
RBMF2IG	M25x1,5	72	40	35	32	0,185
RBMF3IG	M32x1,5	82,5	48	42	40	0,300
RBMF4IG	M40x1,5	86	60	55	59	0,760
RBMF5IG	M50x1,5	86,5	75	70	67	1,000
RBMF6IG	M63x1,5	88	90	84	77	1,400
RBMF7IG	M75x1,5	107	117	108	99	2,350
RBMF8IG	M90x1,5	109	132	121	108	2,800
RBMF10IG	M100x1,5	116,5	152	145	135	4,160

Order code example



TECHNICAL NOTES:

- The silicone O-ring for the IP protection for cylindrical threads (ISO metric) is supplied already assembled on the union
- Available also in stainless steel (example code RBMF1S)
- Available also in nickel-plated brass (example code RBMF1B)
- It is possible supply mixed thread, of the same equivalence (sample code for fitting in galvanised steel Male 1"NPT - Female M32x1,5: RBMF3NG)

RBFF three pieces unions Fixed female/Turning female - IIB high temperatures

RBFF series three pieces unions suitable for IIB gas group and extreme temperatures enable an independent rotation and connection between pipes, enclosures or different instruments.



Classification: 2014/34/UE	Group II	Category 2GD
Installation: EN 60079.14	zone 1 - zone 2 (Gas)	zone 21 - zone 22 (Dust)
Marking:	CE 0722 Ex II 2 GD Ex db IIB Gb Ex tb IIIC Db IP66/67 (RB..)	
Certification:	ATEX	CESI 99 ATEX 034U
	IECEX	IECEX CES 10.0002U
	TR CU	AVAILABLE

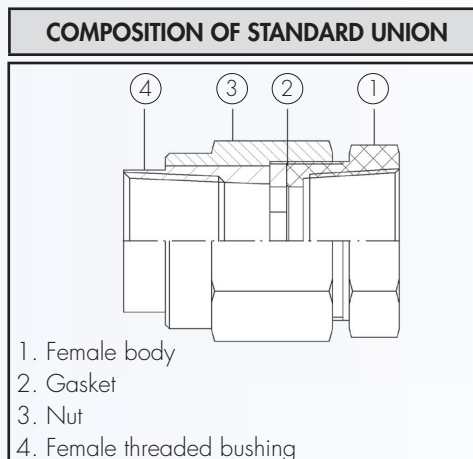
All IEC Ex and TR CU certification data contact comm@antideflagranticge.com

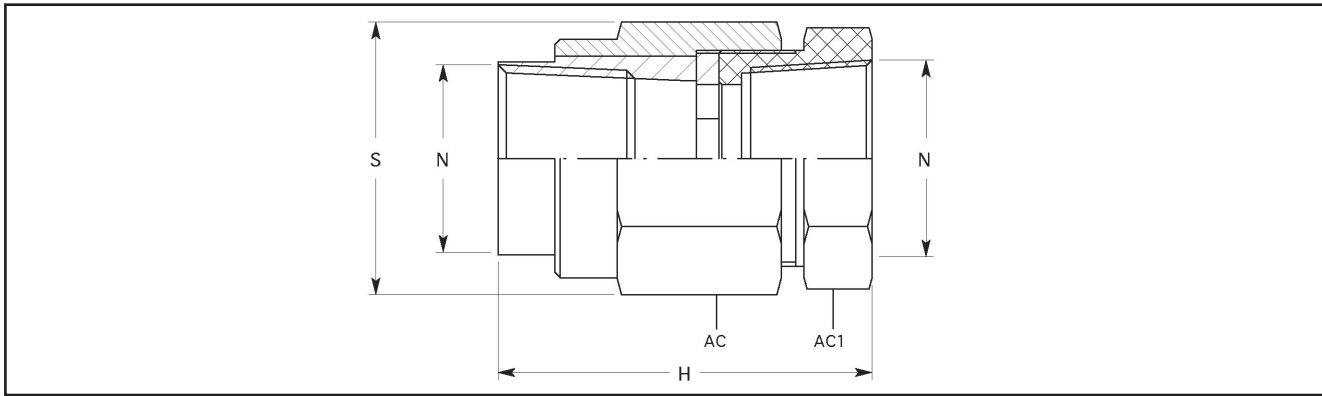
Standards:	CENELEC EN 60079-0: 2012+A11:2013, EN 60079-1: 2014, EN 60079-31: 2014 and EUROPEAN DIRECTIVE 2014/34/UE IEC60079-0: 2011, IEC60079-1: 2007-04, IEC60079-31: 2008 Directive RoHS 2002/95/CE
-------------------	--

Degree of protection:	IP66/67
------------------------------	---------

Operating temperature:

Three pieces unions series	Materials	Gaskets	Ambient temperature
RBFF...	Galvanised steel (G), Nickel-plated brass (B)	Silicone	-20°C +150°C
RBFF...S	Stainless steel (S)	Silicone	-60°C +150°C

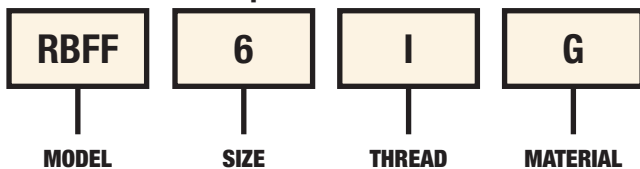




UNIONS SELECTION TABLE

Code In galvanised steel	Thread N	Dimensions in mm				Weight Kg
		H	S	AC	AC1	
RBFF1G	1/2" ISO7/1	57	35	30	27	0,125
RBFF2G	3/4" ISO7/1	57	40	35	32	0,150
RBFF3G	1" ISO7/1	67	48	42	40	0,235
RBFF4G	1 1/4" ISO7/1	63	60	55	59	0,640
RBFF5G	1 1/2" ISO7/1	63	75	70	67	0,960
RBFF6G	2" ISO7/1	64	90	84	77	1,220
RBFF7G	2 1/2" ISO7/1	71	117	108	99	2,240
RBFF8G	3" ISO7/1	71	132	121	108	2,600
RBFF10G	4" ISO7/1	77	152	145	135	3,700
RBFF1NG	1/2" NPT	57	35	30	27	0,125
RBFF2NG	3/4" NPT	57	40	35	32	0,150
RBFF3NG	1" NPT	67	48	42	40	0,235
RBFF4NG	1 1/4" NPT	63	60	55	59	0,640
RBFF5NG	1 1/2" NPT	63	75	70	67	0,960
RBFF6NG	2" NPT	64	90	84	77	1,220
RBFF7NG	2 1/2" NPT	71	117	108	99	2,240
RBFF8NG	3" NPT	71	132	121	108	2,600
RBFF10NG	4" NPT	77	152	145	135	3,700
RBFF1IG	M20x1,5	57	35	30	27	0,125
RBFF2IG	M25x1,5	57	40	35	32	0,150
RBFF3IG	M32x1,5	67	48	42	40	0,235
RBFF4IG	M40x1,5	63	60	55	59	0,640
RBFF5IG	M50x1,5	63	75	70	67	0,960
RBFF6IG	M63x1,5	64	90	84	77	1,220
RBFF7IG	M75x1,5	71	117	108	99	2,240
RBFF8IG	M90x1,5	71	132	121	108	2,600
RBFF10IG	M100x1,5	77	152	145	135	3,700

Order code example



TECHNICAL NOTES:

- The silicone O-ring for the IP protection for cylindrical threads (ISO metric) is supplied already assembled on the union
- Available also in stainless steel (example code RBFF1S)
- Available also in nickel-plated brass (example code RBFF1B)

RBMM three pieces unions Fixed male / Turning male - IIB high temperatures

RBMM series three pieces unions suitable for IIB gas group and extreme temperatures enable an independent rotation and connection between pipes, enclosures or different instruments.



Classification: 2014/34/UE	Group II	Category 2GD
Installation: EN 60079.14	zone 1 - zone 2 (Gas)	zone 21 - zone 22 (Dust)
Marking:	CE 0722 Ex II 2 GD Ex db IIB Gb Ex tb IIIC Db IP66/67 (RB..)	
Certification:	ATEX	CESI 99 ATEX 034U
	IECEX	IECEX CES 10.0002U
	TR CU	AVAILABLE

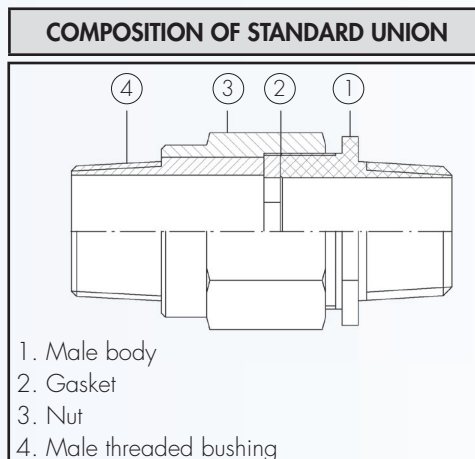
All IEC Ex and TR CU certification data contact comm@antideflagentigce.com

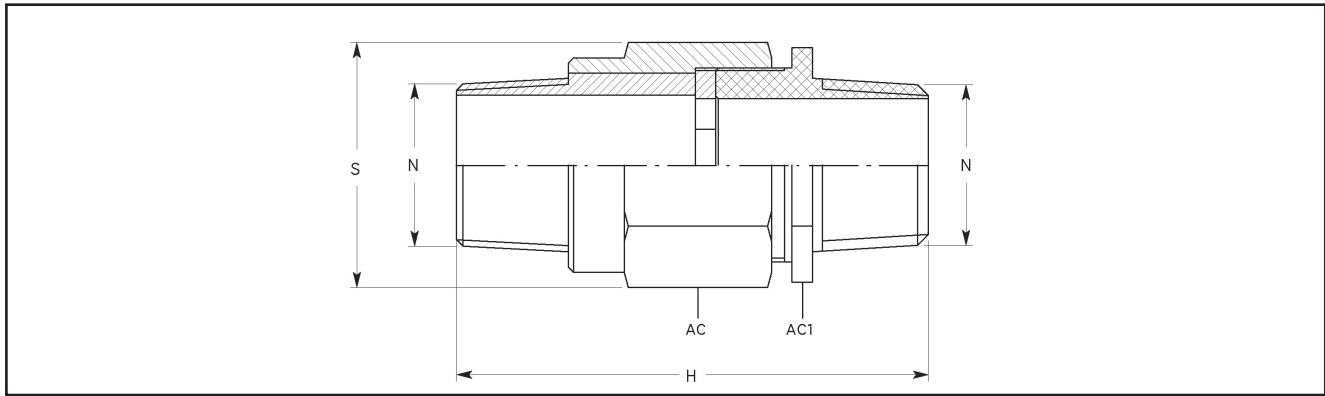
Standards:	CENELEC EN 60079-0: 2012+A11:2013, EN 60079-1: 2014, EN 60079-31: 2014 and EUROPEAN DIRECTIVE 2014/34/UE IEC60079-0: 2011, IEC60079-1: 2007-04, IEC60079-31: 2008 Directive RoHS 2002/95/CE
-------------------	--

Degree of protection:	IP66/67
------------------------------	---------

Operating temperature:

Three pieces unions series	Materials	Gaskets	Ambient temperature
RBMM...	Galvanised steel (G), Nickel-plated brass (B)	Silicone	-20°C +150°C
RBMM...S	Stainless steel (S)	Silicone	-60°C +150°C

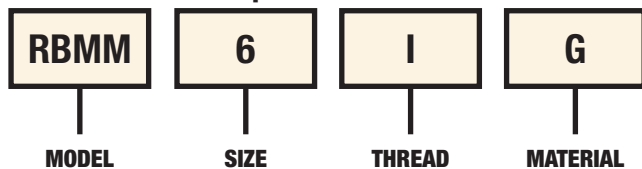




UNIONS SELECTION TABLE

Code In galvanised steel	Thread N	Dimensions in mm				Weight Kg
		H	S	AC	AC1	
RBMM1G	1/2" ISO7/1	87	35	30	27	0,125
RBMM2G	3/4" ISO7/1	89	40	35	32	0,150
RBMM3G	1" ISO7/1	99	48	42	40	0,235
RBMM4G	1 1/4" ISO7/1	125	60	55	59	0,640
RBMM5G	1 1/2" ISO7/1	126	75	70	67	0,960
RBMM6G	2" ISO7/1	127	90	84	77	1,220
RBMM7G	2 1/2" ISO7/1	161	117	108	99	2,240
RBMM8G	3" ISO7/1	165	132	121	108	2,600
RBMM10G	4" ISO7/1	171	152	145	135	3,700
RBMM1NG	1/2" NPT	87	35	30	27	0,125
RBMM2NG	3/4" NPT	89	40	35	32	0,150
RBMM3NG	1" NPT	99	48	42	40	0,235
RBMM4NG	1 1/4" NPT	125	60	55	59	0,640
RBMM5NG	1 1/2" NPT	126	75	70	67	0,960
RBMM6NG	2" NPT	127	90	84	77	1,220
RBMM7NG	2 1/2" NPT	161	117	108	99	2,240
RBMM8NG	3" NPT	165	132	121	108	2,600
RBMM10NG	4" NPT	171	152	145	135	3,700
RBMM1IG	M20x1,5	87	35	30	27	0,125
RBMM2IG	M25x1,5	89	40	35	32	0,150
RBMM3IG	M32x1,5	99	48	42	40	0,235
RBMM4IG	M40x1,5	125	60	55	59	0,640
RBMM5IG	M50x1,5	126	75	70	67	0,960
RBMM6IG	M63x1,5	127	90	84	77	1,220
RBMM7IG	M75x1,5	161	117	108	99	2,240
RBMM8IG	M90x1,5	165	132	121	108	2,600
RBMM10IG	M100x1,5	171	152	145	135	3,700

Order code example



TECHNICAL NOTES:

- The silicone O-ring for the IP protection for cylindrical threads (ISO metric) is supplied already assembled on the union
- Available also in stainless steel (example code RBMM1S)
- Available also in nickel-plated brass (example code RBMM1B)

RMF three pieces unions Fixed male/Turning female - IIC

RMF series three pieces unions for IIC gas group enable an independent rotation and connection between pipes, enclosures or different instruments.



Classification: 2014/34/UE	Group II	Category 2GD
Installation: EN 60079.14	zone 1 - zone 2 (Gas)	zone 21 - zone 22 (Dust)
Marking:	CE 0722 Ex II 2 GD Ex db IIC Gb Ex tb IIIC Db IP66/67 (R..)	
Certification:	ATEX	CESI 99 ATEX 034U
	IECEX	IECEX CES 10.0002U
	TR CU	AVAILABLE

All IEC Ex and TR CU certification data contact comm@antideflagranticge.com

Standards:	CENELEC EN 60079-0: 2012+A11:2013, EN 60079-1: 2014, EN 60079-31: 2014 and EUROPEAN DIRECTIVE 2014/34/UE IEC60079-0: 2011, IEC60079-1: 2007-04, IEC60079-31: 2008 Directive RoHS 2002/95/CE
-------------------	--

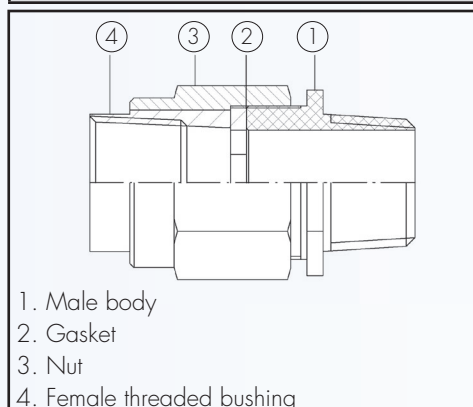
Degree of protection:	IP66/67
------------------------------	---------

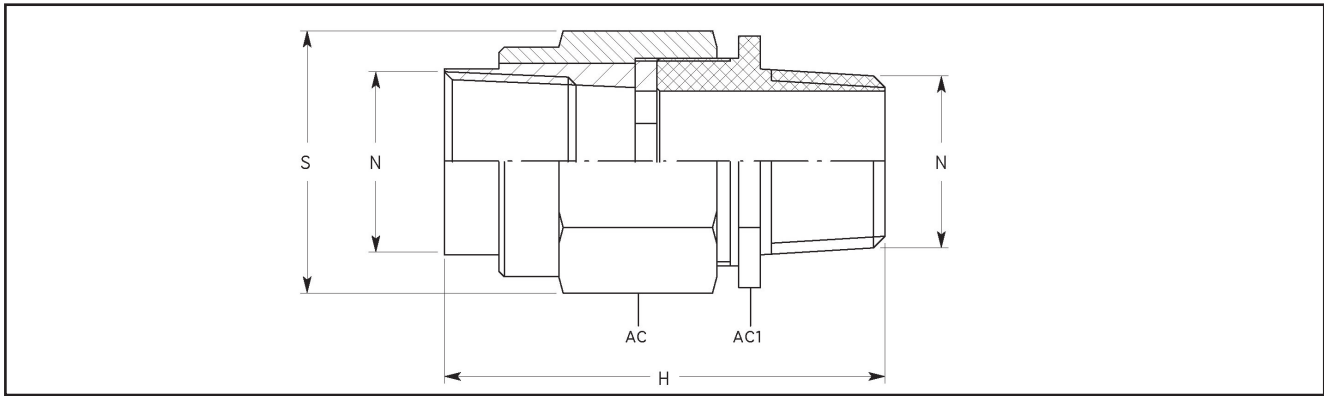


Operating temperature:

Three pieces unions series	Materials	Gaskets	Ambient temperature
RMF..	Galvanised steel (G), Nickel-plated brass (B)	Silicone	-20°C +60°C
RMF...S	Stainless steel (S)	Silicone	-60°C +60°C

COMPOSITION OF STANDARD UNION

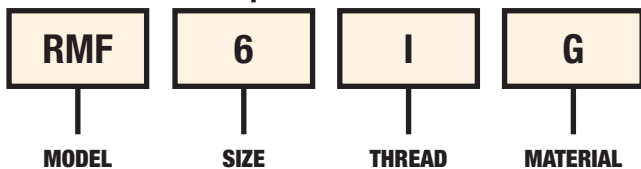




UNIONS SELECTION TABLE

Code In galvanised steel	Thread N	Dimensions in mm				Weight
		H	S	AC	AC1	Kg
RMF1G	1/2" ISO7/1	71	35	30	27	0,200
RMF2G	3/4" ISO7/1	71	40	35	32	0,230
RMF3G	1" ISO7/1	82	48	42	40	0,380
RMF4G	1 1/4" ISO7/1	87	60	55	59	0,940
RMF5G	1 1/2" ISO7/1	87	75	70	67	1,125
RMF6G	2" ISO7/1	87	90	84	77	1,540
RMF7G	2 1/2" ISO7/1	98	117	108	99	3,125
RMF8G	3" ISO7/1	98	132	121	108	3,990
RMF10G	4" ISO7/1	112	152	145	135	4,160
RMF1NG	1/2" NPT	71	35	30	27	0,200
RMF2NG	3/4" NPT	71	40	35	32	0,230
RMF3NG	1" NPT	82	48	42	40	0,380
RMF4NG	1 1/4" NPT	87	60	55	59	0,940
RMF5NG	1 1/2" NPT	87	75	70	67	1,125
RMF6NG	2" NPT	87	90	84	77	1,540
RMF7NG	2 1/2" NPT	98	117	108	99	3,125
RMF8NG	3" NPT	98	132	121	108	3,990
RMF10NG	4" NPT	112	152	145	135	4,160
RMF1IG	M20x1,5	71	35	30	27	0,200
RMF2IG	M25x1,5	71	40	35	32	0,230
RMF3IG	M32x1,5	82	48	42	40	0,380
RMF4IG	M40x1,5	87	60	55	59	0,940
RMF5IG	M50x1,5	87	75	70	67	1,125
RMF6IG	M63x1,5	87	90	84	77	1,540
RMF7IG	M75x1,5	98	117	108	99	3,125
RMF8IG	M90x1,5	98	132	121	108	3,990
RMF10IG	M100x1,5	112	152	145	135	4,160

Order code example



TECHNICAL NOTES:

- The silicone O-ring for the IP protection for cylindrical threads (ISO metric) is supplied already assembled on the union
- Available also in stainless steel (example code RMF1S)
- Available also in nickel-plated brass (example code RMF1B)
- It is possible supply mixed thread, of the same equivalence (sample code for fitting in galvanised steel Male 1"NPT - Female M32x1,5: RMF3NIG)

RFF three pieces unions Fixed female/Turning female - IIC

RFF series three pieces unions for IIC gas group enable an independent rotation and connection between pipes, enclosures or different equipment.



Classification: 2014/34/UE	Group II	Category 2GD
Installation: EN 60079.14	zone 1 - zone 2 (Gas)	zone 21 - zone 22 (Dust)
Marking:	CE 0722 Ex II 2 GD Ex db IIC Gb Ex tb IIIC Db IP66/67 (R..)	
Certification:	ATEX	CESI 99 ATEX 034U
	IECEx	IECEx CES 10.0002U <small>All IEC Ex and TR CU certification data contact comm@antideflagranticce.com</small>
	TR CU	AVAILABLE

Standards:	CENELEC EN 60079-0: 2012+A11:2013, EN 60079-1: 2014, EN 60079-31: 2014 and EUROPEAN DIRECTIVE 2014/34/UE IEC60079-0: 2011, IEC60079-1: 2007-04, IEC60079-31: 2008 Directive RoHS 2002/95/CE
-------------------	--

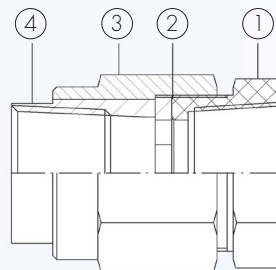
Degree of protection:	IP66/67
------------------------------	---------



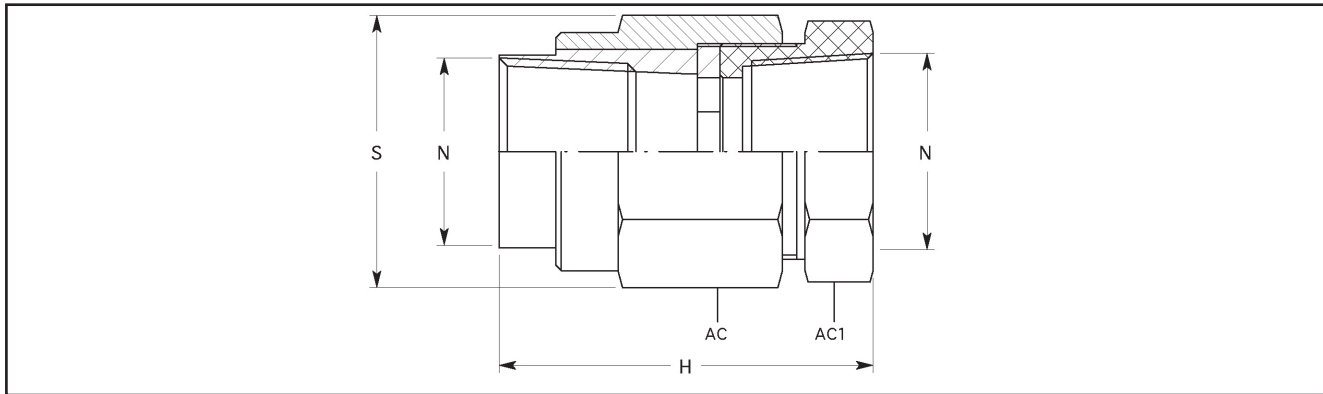
Operating temperature:

Three pieces unions series	Materials	Gaskets	Ambient temperature
RFF...	Galvanised steel (G), Nickel-plated brass (B)	Silicone	-20°C +60°C
RFF...S	Stainless steel (S)	Silicone	-60°C +60°C

COMPOSITION OF STANDARD UNION



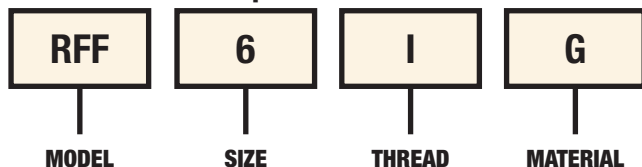
1. Female body
2. Gasket
3. Nut
4. Female threaded bushing



UNIONS SELECTION TABLE

Code In galvanised steel	Thread N	Dimensions in mm				Weight Kg
		H	S	AC	AC1	
RFF1G	1/2" ISO7/1	58	35	30	27	0,170
RFF2G	3/4" ISO7/1	58	40	35	32	0,200
RFF3G	1" ISO7/1	68	48	42	40	0,315
RFF4G	1 1/4" ISO7/1	63	60	55	59	0,820
RFF5G	1 1/2" ISO7/1	66	75	70	67	1,020
RFF6G	2" ISO7/1	66	90	84	77	1,390
RFF7G	2 1/2" ISO7/1	71	117	108	99	2,520
RFF8G	3" ISO7/1	71	132	121	108	2,900
RFF10G	4" ISO7/1	86	152	145	135	3,700
RFF1NG	1/2" NPT	58	35	30	27	0,170
RFF2NG	3/4" NPT	58	40	35	32	0,200
RFF3NG	1" NPT	68	48	42	40	0,315
RFF4NG	1 1/4" NPT	63	60	55	59	0,820
RFF5NG	1 1/2" NPT	66	75	70	67	1,020
RFF6NG	2" NPT	66	90	84	77	1,390
RFF7NG	2 1/2" NPT	71	117	108	99	2,520
RFF8NG	3" NPT	71	132	121	108	2,900
RFF10NG	4" NPT	86	152	145	135	3,700
RFF1IG	M20x1,5	58	35	30	27	0,170
RFF2IG	M25x1,5	58	40	35	32	0,200
RFF3IG	M32x1,5	68	48	42	40	0,315
RFF4IG	M40x1,5	63	60	55	59	0,820
RFF5IG	M50x1,5	66	75	70	67	1,020
RFF6IG	M63x1,5	66	90	84	77	1,390
RFF7IG	M75x1,5	71	117	108	99	2,520
RFF8IG	M90x1,5	71	132	121	108	2,900
RFF10IG	M100x1,5	86	152	145	135	3,700

Order code example



TECHNICAL NOTES:

- The silicone O-ring for the IP protection for cylindrical threads (ISO metric) is supplied already assembled on the union
- Available also in stainless steel (example code RFF1S)
- Available also in nickel-plated brass (example code RFF1B)

RMM three pieces unions Fixed male/Turning male - IIC

RMM series three pieces unions for IIC gas group enable an independent rotation and connection between pipes, enclosures or different equipment.



Classification: 2014/34/UE	Group II	Category 2GD
Installation: EN 60079.14	zone 1 - zone 2 (Gas)	zone 21 - zone 22 (Dust)
Marking:	CE 0722 Ex II 2 GD Ex db IIC Gb Ex tb IIIC Db IP66/67 (R..)	
Certification:	ATEX	CESI 99 ATEX 034U
	IECEX	IECEX CES 10.0002U
	TR CU	AVAILABLE

All IEC Ex and TR CU certification data contact comm@antideflagranticge.com

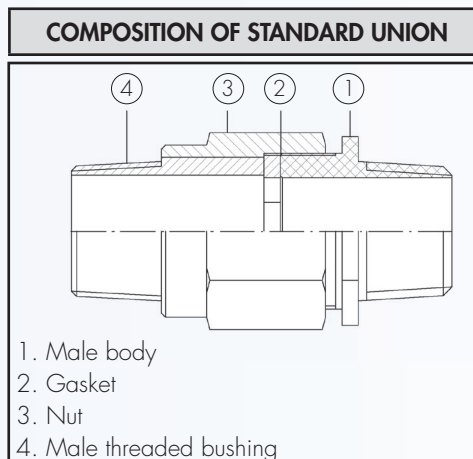
Standards:	CENELEC EN 60079-0: 2012+A11:2013, EN 60079-1: 2014, EN 60079-31: 2014 and EUROPEAN DIRECTIVE 2014/34/UE IEC60079-0: 2011, IEC60079-1: 2007-04, IEC60079-31: 2008 Directive RoHS 2002/95/CE
-------------------	--

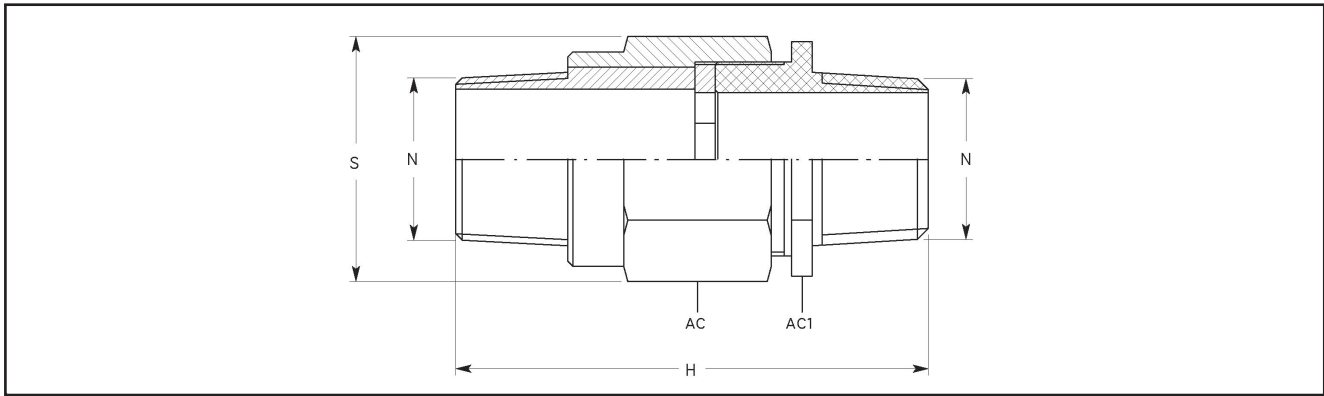
Degree of protection:	IP66/67
------------------------------	---------



Operating temperature:

Three pieces unions series	Materials	Gaskets	Ambient temperature
RMM...	Galvanised steel (G), Nickel-plated brass (B)	Silicone	-20°C +60°C
RMM...S	Stainless steel (S)	Silicone	-60°C +60°C

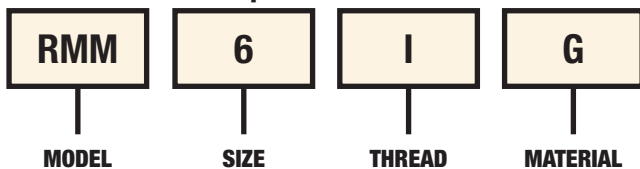




UNIONS SELECTION TABLE

Code In galvanised steel	Thread N	Dimensions in mm				Weight
		H	S	AC	AC1	Kg
RMM1G	1/2" ISO7/1	97	35	30	27	0,220
RMM2G	3/4" ISO7/1	97	40	35	32	0,290
RMM3G	1" ISO7/1	110	48	42	40	0,425
RMM4G	1 1/4" ISO7/1	125	60	55	59	1,200
RMM5G	1 1/2" ISO7/1	125	75	70	67	1,500
RMM6G	2" ISO7/1	125	90	84	77	1,900
RMM7G	2 1/2" ISO7/1	142	117	108	99	4,000
RMM8G	3" ISO7/1	142	132	121	108	4,000
RMM10G	4" ISO7/1	150	152	145	135	5,160
RMM1NG	1/2" NPT	97	35	30	27	0,220
RMM2NG	3/4" NPT	97	40	35	32	0,290
RMM3NG	1" NPT	110	48	42	40	0,425
RMM4NG	1 1/4" NPT	125	60	55	59	1,200
RMM5NG	1 1/2" NPT	125	75	70	67	1,500
RMM6NG	2" NPT	125	90	84	77	1,900
RMM7NG	2 1/2" NPT	142	117	108	99	4,000
RMM8NG	3" NPT	142	132	121	108	4,000
RMM10NG	4" NPT	150	152	145	135	5,160
RMM1IG	M20x1,5	97	35	30	27	0,220
RMM2IG	M25x1,5	97	40	35	32	0,290
RMM3IG	M32x1,5	110	48	42	40	0,425
RMM4IG	M40x1,5	125	60	55	59	1,200
RMM5IG	M50x1,5	125	75	70	67	1,500
RMM6IG	M63x1,5	125	90	84	77	1,900
RMM7IG	M75x1,5	142	117	108	99	4,000
RMM8IG	M90x1,5	142	132	121	108	4,000
RMM10IG	M100x1,5	150	152	145	135	5,160

Order code example



TECHNICAL NOTES:

- The silicone O-ring for the IP protection for cylindrical threads (ISO metric) is supplied already assembled on the union
- Available also in stainless steel (example code RMM1S)
- Available also in nickel-plated brass (example code RMM1B)