

PLG male close-up plugs with conical thread

PLG series plugs are used for close-up unused entries. They feature a hexagonal recessed-type head to ensure the opening with proper tools only.



Classification: 2014/34/UE	Group II	Category 2GD
Installation: EN 60079.14	zone 1 - zone 2 (Gas)	zone 21 - zone 22 (Dust)
Marking:	CE 0722 Ex II 2 GD Ex db IIC Gb Ex tb IIIC Db IP66/67	
	CE 0722 Ex II 2 GD Ex eb IIC Gb Ex tb IIIC Db IP66/67	
Certification:	ATEX CESI 02 ATEX 049X	
	IECEX	IECEX CES 10.0001X
	TR CU	AVAILABLE

All IEC Ex and TR CU certification data contact comm@antideflagranticge.com

Standards:	CENELEC EN 60079-0: 2012+A11: 2013, EN 60079-1: 2014, EN 60079-7: 2015, EN 60079-31: 2014 and EUROPEAN DIRECTIVE 2014/34/UE IEC60079-0: 2011, IEC60079-1: 2007-04, IEC60079-7: 2006-07, IEC60079-31: 2008 Directive RoHS 2002/95/CE
-------------------	--

Degree of protection:	IP66/67
------------------------------	---------

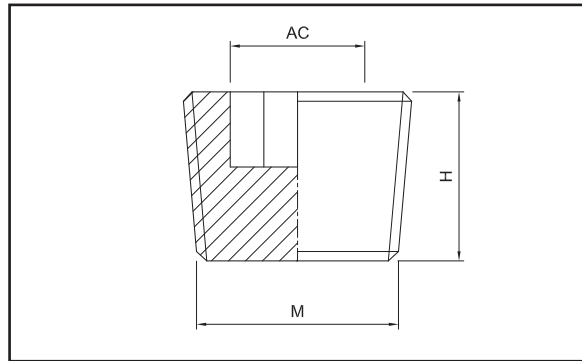


Operating temperature:

Close-up plugs	Material	Ambient temperature
PLG...	Galvanised steel (G)	-20°C +80°C
PLG...	Nickel-plated brass (B), Aluminium alloy (A)	-40°C +150°C
PLG...	Stainless steel (S)	-60°C +150°C

Certificates are available on comm@antideflagranticge.com

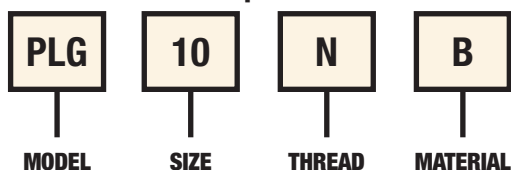




SELECTION TABLE FOR PLUGS WITH STANDARD CONICAL THREAD

Code	Thread M	Dimensions in mm		Material	Weight
		AC	H		Kg
PLG02NG	1/4" NPT	8	23	Galvanised steel	0,014
PLG01NG	3/8" NPT	8	14	Galvanised steel	0,024
PLG1NG	1/2" NPT	13	18	Galvanised steel	0,034
PLG2NG	3/4" NPT	17	18	Galvanised steel	0,054
PLG3NG	1" NPT	19	24	Galvanised steel	0,124
PLG4NA	1 1/4" NPT	24	24	Aluminium	0,061
PLG5NA	1 1/2" NPT	35	24	Aluminium	0,063
PLG6NA	2" NPT	36	24	Aluminium	0,109
PLG7NA	2 1/2" NPT	50	30	Aluminium	0,169
PLG8NA	3" NPT	50	30	Aluminium	0,242
PLG10NA	4" NPT	85	30	Aluminium	0,489
PLG12NA	5" NPT	102	32	Aluminium	0,735
PLG14NA	6" NPT	119	32	Aluminium	1,00
PLG02G	1/4" ISO 7/1	8	23	Galvanised steel	0,014
PLG01G	3/8" ISO 7/1	8	14	Galvanised steel	0,024
PLG1G	1/2" ISO 7/1	13	18	Galvanised steel	0,034
PLG2G	3/4" ISO 7/1	17	18	Galvanised steel	0,054
PLG3G	1" ISO 7/1	19	24	Galvanised steel	0,124
PLG4A	1 1/4" ISO 7/1	24	24	Aluminium	0,061
PLG5A	1 1/2" ISO 7/1	35	24	Aluminium	0,063
PLG6A	2" ISO 7/1	36	24	Aluminium	0,109
PLG7A	2 1/2" ISO 7/1	50	30	Aluminium	0,169
PLG8A	3" ISO 7/1	50	30	Aluminium	0,242
PLG10A	4" ISO 7/1	85	30	Aluminium	0,489
PLG12A	5" ISO 7/1	102	32	Aluminium	0,735
PLG14A	6" ISO 7/1	119	32	Aluminium	1,00

Order code example



TECHNICAL NOTES:

- Available also in stainless steel (example code PLG3S)
- Available also in nickel plated brass (example code PLG1B)
- Available also in aluminium (example code PLG2A)
- Available also in galvanized steel (example code PLG6G)

PLG male close-up plugs with cylindrical thread

PLG series plugs are used for close-up unused entries. They feature a hexagonal external head to ensure the opening with proper tools only.



Classification: 2014/34/UE	Group II	Category 2GD
Installation: EN 60079.14	zone 1 - zone 2 (Gas)	zone 21 - zone 22 (Dust)
Marking:	CE 0722 Ex II 2 GD Ex db IIC Gb Ex tb IIIC Db IP66/67	
	CE 0722 Ex II 2 GD Ex eb IIC Gb Ex tb IIIC Db IP66/67	
Certification:	ATEX CESI 02 ATEX 049X	
	IECEX	IECEX CES 10.0001X
	TR CU	AVAILABLE

All IEC Ex and TR CU certification data contact comm@antideflagranticge.com

Standards:	CENELEC EN 60079-0: 2012, EN 60079-1: 2007, EN 60079-31: 2009 and EUROPEAN DIRECTIVE 2014/34/UE IEC60079-0: 2011, IEC60079-1: 2007-04, IEC60079-7: 2006-07, IEC60079-31: 2008 Directive RoHS 2002/95/CE
-------------------	--

Degree of protection:	IP66/67
------------------------------	---------



Operating temperature:

Close-up plugs	Material	Gaskets	Ambient temperature
PLG...	Galvanised steel (G)	Silicone	-20°C +80°C
PLG...	Nickel-plated brass (B), Aluminium alloy (A)	Silicone	-40°C +150°C
PLG...	Stainless steel (S)	Silicone	-60°C +150°C

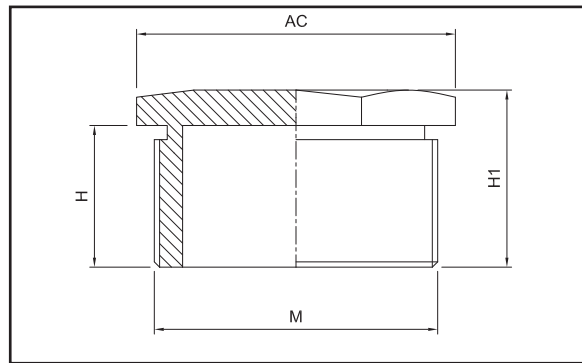
Certificates are available on comm@antideflagranticge.com

ACCESSORIES OPON REQUEST

Lock nuts *	Thread ISO228	Code	Material	ISO metric thread	Code	Material
	1/4"	DL02G	Galvanised steel	M12x1,5	DL02IB	Nickel-plated brass
	3/8"	DL01G	Galvanised steel	M16x1,5	DL01IB	Nickel-plated brass
	1/2"	DL1G	Galvanised steel	M20x1,5	DL1IB	Nickel-plated brass
	3/4"	DL2G	Galvanised steel	M25x1,5	DL2IB	Nickel-plated brass
	1"	DL3G	Galvanised steel	M32x1,5	DL3IB	Nickel-plated brass
	1 1/4"	DL4G	Galvanised steel	M40x1,5	DL4IB	Nickel-plated brass
	1 1/2"	DL5A	Aluminium	M50x1,5	DL5IB	Nickel-plated brass
	2"	DL6A	Aluminium	M63x1,5	DL6IB	Nickel-plated brass
	2 1/2"	DL7A	Aluminium	M75x1,5	DL7IB	Nickel-plated brass
	3"	DL8A	Aluminium	M90x1,5	DL8IB	Nickel-plated brass
	3 1/2"	DL9A	Aluminium	-	-	-
	4"	DL10A	Aluminium	M100x1,5	DL10IB	Nickel-plated brass

* For different material contact the sales office.

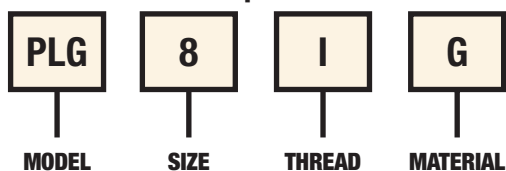




SELECTION TABLE FOR PLUGS WITH CYLINDRICAL THREAD

Code	Thread M	Dimensions in mm			Material	Weight Kg
		AC	H	H1		
PLG02C...	1/4" UNI ISO 228/1	17	16	21	On request	0,014
PLG01C...	3/8" UNI ISO 228/1	22	16	21		0,024
PLG1C...	1/2" UNI ISO 228/1	25	20	25		0,034
PLG2C...	3/4" UNI ISO 228/1	32	20	25		0,054
PLG3C...	1" UNI ISO 228/1	38	24	29		0,124
PLG4C...	1 1/4" UNI ISO 228/1	45	24	29		0,061
PLG5C...	1 1/2" UNI ISO 228/1	55	24	29		0,063
PLG6C...	2" UNI ISO 228/1	65	24	29		0,109
PLG7C...	2 1/2" UNI ISO 228/1	85	24	29		0,169
PLG8C...	3" UNI ISO 228/1	100	24	29		0,242
PLG10C...	4" UNI ISO 228/1	120	24	29		0,489
PLG01I...	M16x1,5	20	16	21	On request	0,014
PLG1I...	M20x1,5	24	16	21		0,024
PLG2I...	M25x1,5	30	16	21		0,034
PLG3I...	M32x1,5	36	16	21		0,054
PLG4I...	M40x1,5	46	16	21		0,124
PLG5I...	M50x1,5	55	16	21		0,061
PLG6I...	M63x1,5	70	18	23		0,063
PLG7I...	M75x1,5	85	18	23		0,109
PLG8I...	M90x1,5	95	18	23		0,169
PLG10I...	M100x1,5	105	18	23		0,242

Order code example



TECHNICAL NOTES:

- Available also in stainless steel (example code PLG3IS)
- Available also in nickel plated brass (example code PLG1IB)
- Available also in aluminium (example code PLG2IA)
- Available also in galvanized steel (example code PLG2IG)
- Available also with PG thread (example code PLG5PA)

THREAD CODIFICATION

Pg DIN 40430

2	3	4	5	6	7	8	9	10
PG9	PG11	PG13,5	PG16	PG21	PG29	PG36	PG42	PG48

PLG..7 polyamide close-up plugs with cylindrical thread

PLG series plugs are used for close-up unused entries. They feature a hexagonal external head to ensure the opening with proper tools only.

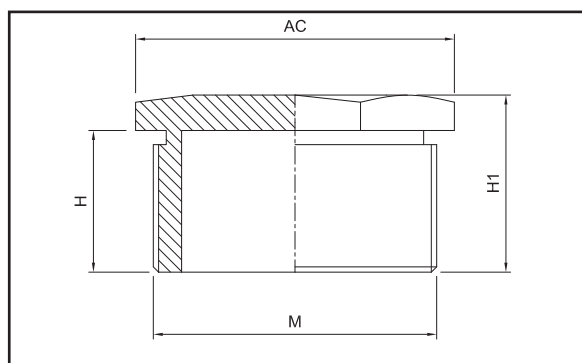


Classification: 2014/34/UE	Group II	Category 2GD
Installation: EN 60079.14	zone 1 - zone 2 (Gas)	zone 21 - zone 22 (Dust)
Marking:	CE 0722 Ex II 2 GD - Ex e IIC Gb Ex tb IIIC Db IP66/68	
Certification:	ATEX	IMQ 16 ATEX 005X
	IECEX	IECEX IMQ 15.0009X

Standards:	CENELEC EN 60079-0: 2012, EN 60079-7: 2007, EN 60079-11: 2012, EN 60079-31: 2014 and EUROPEAN DIRECTIVE 2014/34/UE IEC 60079-0: 2011, IEC 60079-7: 2006, IEC 60079-11: 2012, IEC 60079-31: 2014 Directive RoHS 2002/95/CE
Ambient Temp.:	-60°C +70°C
Degree of protection:	IP66/68

Certificates are available on comm@antideflagranticce.com

ACCESSORIES OPON REQUEST			
Lock nuts	ISO metric thread	Code	Material
	M12x1,5	DL02IXEP	polyamide
	M16x1,5	DL01IXEP	
	M20x1,5	DL1IXEP	
	M25x1,5	DL2IXEP	
	M32x1,5	DL3IXEP	
	M40x1,5	DL4IXEP	
	M50x1,5	DL5IXEP	
	M63x1,5	DL6IXEP	

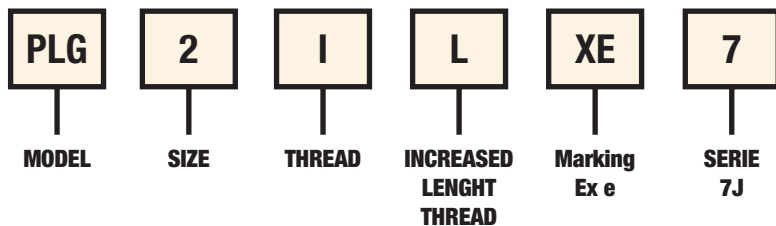


SELECTION TABLE FOR PLUGS WITH CYLINDRICAL THREAD

Code polyamide	Thread M	Dimensions in mm			Weight Kg
		AC	H	H1	
PLG02IXE7	M12x1,5	15	10	15	0,002
PLG01ILXE7	M16x1,5	19	15*	19,3	0,003
PLG1ILXE7	M20x1,5	23	15*	21	0,005
PLG2ILXE7	M25x1,5	28	15*	20,8	0,007
PLG3IXE7	M32x1,5	36	15	22,8	0,012
PLG4IXE7	M40x1,5	46	18	26,5	0,024
PLG5IXE7	M50x1,5	55	18	27,5	0,035
PLG6IXE7	M63x1,5	69	18	27,5	0,051
PLG1PXE7	PG 7	15	10	15	0,002
PLG2PXE7	PG 9	19	11	15	0,003
PLG3PXE7	PG 11	21	11	16	0,004
PLG4PLXE7	PG 13,5	24	15	20	0,005
PLG5PXE7	PG 16	28	11	17	0,007
PLG6PLXE7	PG 21	31	15	21	0,009
PLG7PXE7	PG 29	41	15	23	0,020
PLG8PXE7	PG 36	50	18	26,5	0,030
PLG9PXE7	PG 42	58	18	27,5	0,038
PLG10PXE7	PG 48	69	18	27,5	0,045

* reduced length thread (10mm) upon request.

Order code example



TECHNICAL NOTES:

- Silicone gaskets
- Black color plug RAL 9005 (Ex e)
- Impact resistance 7J

MC series female plugs are used to close pipes ends.



Standard construction:

Galvanised steel or aluminium
Standard thread: ISO 7/1

Upon request:

NPT thread: (example code MC3NG)
Stainless steel (example code MC3S)

SELECTION TABLE OF FEMALE CLOSING PLUGS

Code	Thread	Material	Weight Kg
MC1G	1/2" ISO 7/1	Galvanised steel	0,035
MC2G	3/4" ISO 7/1	Galvanised steel	0,039
MC3G	1" ISO 7/1	Galvanised steel	0,045
MC4G	1 ¼" ISO 7/1	Galvanised steel	0,052
MC5G	1 ½" ISO 7/1	Galvanised steel	0,285
MC6G	2" ISO 7/1	Galvanised steel	0,335
MC7A	2 ½" ISO 7/1	Aluminium	0,797
MC8A	3" ISO 7/1	Aluminium	0,887
MC10A	4" ISO 7/1	Aluminium	1,119