



L-3000 portable LED torch

The L-3000 torch has been designed to combine efficient lighting with user-selected operating time settings. It features high-performance LEDs, a new built-in dual optic system, a digital monitor showing battery status and a lighting management system, making it one of the most in-demand torch models in the industry.

The distinguishing feature of this torch is the option of controlling lighting based on individual user requirements: there are three different light output presets, allowing you to choose between a 4, 6 or 8-hour operating time. Held by hand or adapted in its holster, the rotating head provides versatility at all times while you are working. Its external clip means you can hang the torch off your belt, jacket or anything else, freeing up your hands.

Application sectors:



Oil refineries



Chemical and petrochemical plants



Agriculture and food plants



Offshore plants



Pharmaceutical industries



Powder magazines



Onshore plants



Fuel depots

CERTIFICATION DATA

Classification:	Group II	Category 1GD		
Installation:	zone 0 - 1 - 2 (Gas)	zone 20 - 21 - 22 (Dust)		
Marking:	CE (Ex) II 1GD Ex ia IIC T4 Ga - Ex ia IIC T85°C Da IP67			
Certificate:	ATEX	LOM 12 ATEX 2087X	Portable LED torch: L-3000	
Standards:	EN 60079-0: 2009; EN 60079-11: 2012; EN 60079-26: 2007 ed alla DIRETTIVA EUROPEA 2014/34/UE			
Temperature class:	135°C (T4)			
Ambient Temp.:	-20°C +40°C			
Degree of protection:	IP67			



L-3000 portable LED torch



Impact resistance and mechanical strength



Battery run time in hours and minutes



Revolutionary optics



0° / 45° / 90° rotating head



Rechargeable batteries

FEATURES

Torch L-3000

Body:

Thermoplastic resin with high impact strength and resistance to extreme temperatures and corrosive substances

LEDs:

2 x 135 lm LEDs (total light output 200 lm)

Front lens:

Shatterproof clear polycarbonate with built-in dual optics

Head:

Rotates to 3 positions: 0° / 45° / 90°

Operation:

Operating time of both LEDs can be set to 4, 6 or 8 hours:

- maximum light output > 4hrs
- maximum light output > 6h
- low light output > 8h

Operation monitoring:

Digital display located on rotating head indicating remaining hours and minutes of light

Operation test:

Warning given in the last 15 minutes when battery charge is running low

Switches:

Two ergonomically designed buttons made from a soft-touch material; oversized to ensure ease of use, even with gloved hands

Battery:

3.7V lithium ion battery; easy for user to replace

Battery charger:

Marking:

CE, e9

Protection:

IP54

Switch off:

Automatic end of charging

Charge indicators:

Red LED: charging

Green LED: batteries charged

Power supply:

CC:12 V. AC: 100/240 V, 50/60 Hz

Types and dimensions:

Single:75x105x60 mm

Battery charger for 3 torches: 205x105x60 mm

Battery charger for 5 torches: 405x105x60 mm



ACCESSORIES AVAILABLE / SPECIAL REQUESTS

Holster

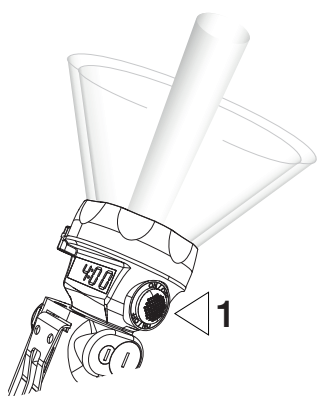
Battery charger for 1, 3 or 5 torches



L-3000 portable LED torch

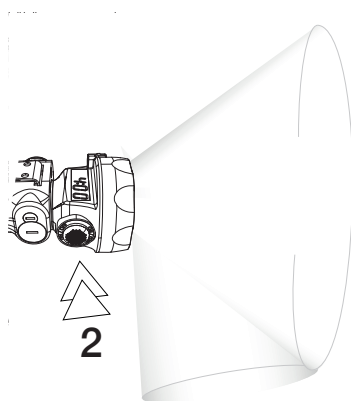
Code	Dimension mm		Light output	Light intensity	Discharge time	Weight kg
	L	Ø				
L-3000	225	70	Tot. 200 lm	15.000 cd	Max. 8 ore	0,5

MODES



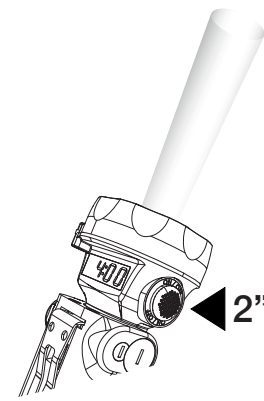
Switch on

Press button once
Both LEDs are on, offering diffused light and a focussed beam all at once. At the same time, the display comes on, showing the remaining operating time.



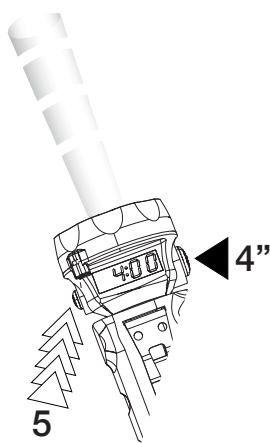
Diffused light

Press button twice
Only the LED located behind the optical diffuser is kept on, giving the light beam a wider angle.
The special design of the optics means the LED manages to even light the area underneath, near the user's feet.



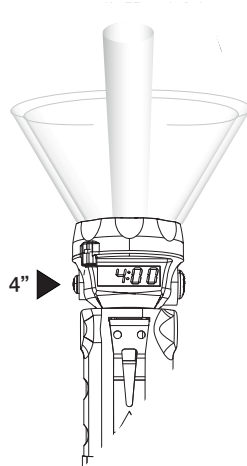
Focused beam

Keep button pressed
Holding down the button for two seconds switches on the LED located behind the focused spot beam optics, setting the torch to booster mode.
Power is concentrated in a single LED and the light beam reaches its maximum distance and penetration.
Press the On/Off button again to go back to the previous position.



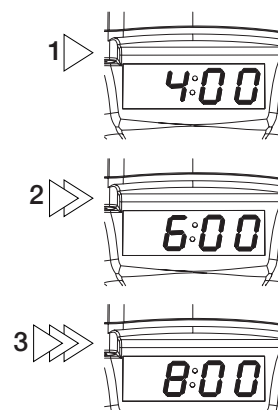
Strobe light

Menu button
Holding the On/Off button down for four seconds sets the torch to strobe mode. Using the Menu button, you can select up to five different flashing rates.

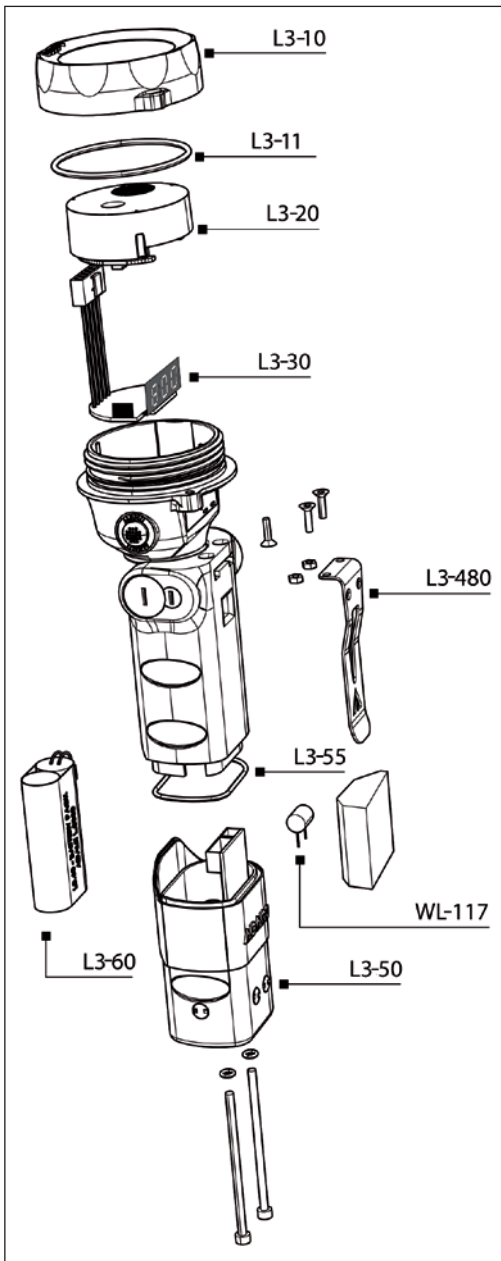



Consumption map

Holding the Menu button down for 4 seconds activates programming mode for setting the torch's operating time and light output. Based on the 4, 6 or 8-hour setting, the electronics automatically adjust the light output level and consequently consumption levels.













L-3000 portable LED torch



DESCRIPTION	CODE	KEY
Torch end cap with clear lens	L3-10	
End cap O-ring	L3-11	
Optics and LED card	L3-20	
PCB and display	L3-30	
Complete clip	L3-480	
Body O-ring	L3-55	
Battery pack	L3-60	
Torch body with battery charger PCB	L3-50	

DON'T FORGET TO ORDER THE ACCESSORIES

Example: Torch L-3000 + Battery charger C-1000 + other...see key 

ILLUSTRATION	DESCRIPTION	FEATURES	CODE	KEY
	Single battery charger	Voltage 100-240V	C-1000	 
		Voltage 12V	CV-1000-12V	
		Voltage 12/24V	CV-1000-24V	
	Battery charger for three torches	Voltage 100-240V	C-3000	 
		Voltage 12V	CV-3000	
		Voltage 12/24V	CV-3000-24	
	Battery charger for five torches	Voltage 100-240V	C-5000	 
		Voltage 12V	CV-5000-12	
		Voltage 12/24V	CV-5000-24	
	Holster		586-06-580	