

Cable gland series NAVGB for non-armoured cables from 3/8" to 4"

The NAVGB series barrier cable glands for non-armoured cable are designed to guarantee the IP66/67 protection and the explosion protection 'Ex db IIC; Ex eb IIC' in applications where installation requirements are needed in accordance with the EN - IEC 60079-14: 2015 standard. The NAVGB cable glands are equipped with an additional gasket to tighten the cable inside the cable gland.

The barrier is shaped around the conductors thanks to the particular mixture that flows through them in the special bushing ensuring a complete seal. The liquid resin used prevents the formation of air pockets or voids between the conductors and the bushing (typical problems found with malleable resins). The NAVGB series cable glands are supplied with the special resin kit.



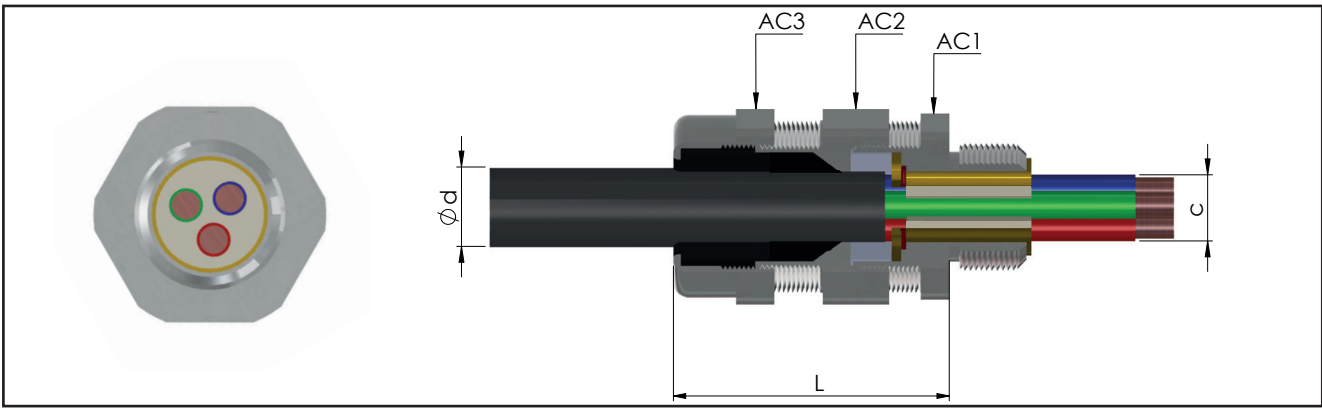
Classification: 2014/34/EU	Group II	Category 2GD/3G
Installation: EN 60079.14	zone 1 - zone 2 (Gas)	zone 21 - zone 22 (Dust)
Marking:	CE 0722 Ex II 2 GD - Ex db IIC Gb - Ex eb IIC Gb II 2 D - Ex tb IIC Db II 3G Ex nR IIC Gc	
Certification:	ATEX (category 2):	IMQ 19 ATEX 019X
	ATEX (category 3):	IMQ 19 ATEX 020X
	IEC Ex	IECEX IMQ 19.0003X All IEC Ex certification data can be contact comm@antideflagrantiige.com
Standards:	CENELEC EN 60079-0: 2012+A11:2013, EN 60079-1: 2016, EN 60079-7: 2015, EN 60079-15: 2012, EN 60079-31: 2015 ed alla DIRETTIVA EUROPEA 2014/34/UE IEC60079-0: 2011, IEC60079-1: 2014, IEC60079-7: 2015, IEC60079-15: 2015, IEC60079-31: 2013 Direttiva RoHS 2002/95/CE	
Operating temperature:	-60°C +100°C	
Protection rating:	IP66/67	
Design	BS 6121: Part 1:1989, IEC 62444, EN 62444	

Certificates are available on comm@antideflagrantiige.com

ACCESSORIES UPON REQUEST

Locknuts	ISO thread	Nickel-plated brass	Galvanized steel	Stainless steel	Black TPV protector	Cableglands	Code
	M16x1,5	DL01B	DL01G	DL01S		NAVGB01NB NAVGB161B	PGA1F
	M20x1,5	DL11B	DL11G	DL11S		NAVGB1SNB NAVGB20S1B	PGA1N
	M25x1,5	DL21B	DL21G	DL21S		NAVGB1NB NAVGB201B	PGA1
	M32x1,5	DL31B	DL31G	DL31S		NAVGB2NB NAVGB251B	PGA2N
	M40x1,5	DL41B	DL41G	DL41S		NAVGB3NB NAVGB321B	PGA4
	M50x1,5	DL51B	DL51G	DL51S		NAVGB4NB NAVGB401B	PGA4
	M63x1,5	DL61B	DL61G	DL61S		NAVGB5SNB NAVGB50S1B	PGA5
	M75x1,5	DL71B	DL71G	DL71S		NAVGB5NB NAVGB501B	PGA5N
	M90x1,5	DL81B	DL81G	DL81S		NAVGB6SNB NAVGB63S1B	PGA6
	M100x1,5	DL101B	DL101G	DL101S		NAVGB6NB NAVGB631B	PGA7
M115x1,5	DL1151B	DL1151G	DL1151S	NAVGB7SNB NAVGB75S1B	GTR7 Heat shrinkable		
				NAVGB7NB NAVGB751B			
				NAVGB8NB NAVGB901B			
				NAVGB9NB NAVGB1001B			
				NAVGB10NB NAVGB1151B			
Nickel-plated brass earthing rings	ISO thread	Nickel-plated brass	Stainless steel	Serrated stainless steel lock washers	Code	Adapters and reducers of the RE... series	
	M16x1,5	A0131B	A0131S		RD101S/A4		
	M20x1,5	A1311B	A1311S		RD11S/A4		
	M25x1,5	A2312B	A2312S		RD12S/A4		
	M32x1,5	A3313B	A3313S		RD13S/A4		
	M40x1,5	A4314B	A4314S		RD14S/A4		
	M50x1,5	A5315B	A5315S		RD15S/A4		
	M63x1,5	A6316B	A6316S		RD16S/A4		
	M75x1,5	A731B	A731S				
	M90x1,5	A831B	A831S				
	M100x1,5	A103101B	A103101S				
M115x1,5	A1031B	A1031S					

* For different threads, contact the sales department.



CABLE GLAND SELECTION TABLE

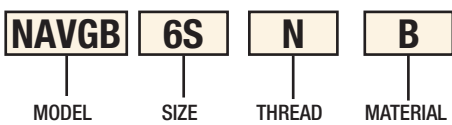
Code Nickel-plated brass	Thread	Code Nickel-plated brass	Thread	Dimensions in mm				Range			Peso Kg	Q.ty of resin ml ***
				AC1	AC2	AC3	L	Ød cable max	Øc over cores	n. max cable **		
NAVGB01NB	3/8" NPT	NAVGB16IB	M16x1,5	24	24	24	54	3.5 - 8.6	5.5	11	0,130	1.3
NAVGB1SNB	1/2" NPT	NAVGB20SIB	M20x1,5	24	26	26	54	6.3 - 11.6	10	11	0,141	3.7
NAVGB1NB	1/2" NPT	NAVGB20IB	M20x1,5	30	32	32	57	6.5 - 14	11	11	0,193	4.2
NAVGB2NB	3/4" NPT	NAVGB25IB	M25x1,5	36	38	38	57	11 - 20	15	21	0,234	8.3
NAVGB3NB	1" NPT	NAVGB32IB	M32x1,5	45	47	47	62	17 - 27	21	38	0,389	15
NAVGB4NB	1 1/4" NPT	NAVGB40IB	M40x1,5	50	52	52	62	22 - 32	27	59	0,462	24
NAVGB5SNB	1 1/2" NPT	NAVGB50SIB	M50x1,5	55	57	57	65	29.5 - 38	33	89	0,549	36
NAVGB5NB	2" NPT	NAVGB50IB	M50x1,5	62/60*	62	62	65	35.5 - 44	35	89	0,505	41
NAVGB6SNB	2" NPT	NAVGB63SIB	M63x1,5	68	75	77	77.5	40 - 50	43	115	1,035	65
NAVGB6NB	2 1/2" NPT	NAVGB63IB	M63x1,5	75/73*	80	82	78.5	47 - 56	45	115	0,990	70
NAVGB7SNB	2 1/2" NPT	NAVGB75SIB	M75x1,5	80	85	90	84	53 - 62	53	140	1,177	98
NAVGB7NB	3" NPT	NAVGB75IB	M75x1,5	90/85*	95	100	85	59 - 68	55	140	1,384	101
NAVGB8NB	3" NPT	NAVGB90IB	M90x1,5	100	105	110	91	66 - 79	65	200	1,800	145
NAVGB9NB	3 1/2" NPT	NAVGB100IB	M100x1,5	115	120	120	94	76 - 91	72	200	2,142	188
NAVGB10NB	4" NPT	NAVGB115IB	M115x1,5	120	125	130	93.5	86 - 98	85	200	2,504	254

* Dimensions with threaded: NPT / ISO

** At least 20% of the internal section of the bushing must be filled with resin.

*** Maximum quantity of resin calculated with completely empty bushing.

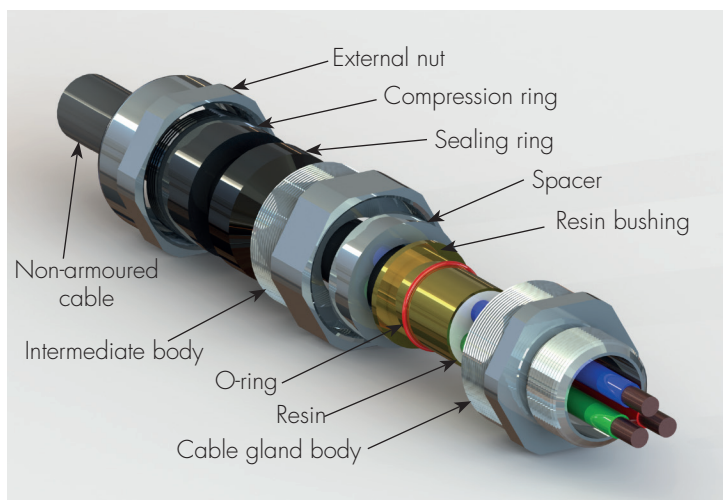
Sample order code of the cable gland



Cartridge
Mixing nozzle
Dispenser

Don't forget to order the resin kit with two-component resin:

- 25 ml resin bag code BOND-B-25
- 100 ml resin bag code BOND-B-100
- 40 ml cartridge + mixing nozzle code BOND-C (manual dispenser supplied as an option code DISP-C)



TECHNICAL NOTES:

- Silicone o-rings are supplied for cylindrical threads (ISO metric) for the pre-assembled IP seal on the cable gland.
- The ISO7/1 thread version is available upon request (sample code NAVGB1B).
- Also available in stainless steel AISI 316 (sample code NAVGB1S).
- Other materials on request.

