

BREAKERS - SELECTORS - SWITCHES - CONNECTING SWITCHES

series
EFS

Protection	Gas	Zone	1-2	II2G	Ex d IIB o IIC T6÷T5 Gb
	Dusts	Zone	21-22	II2D	Ex tb IIIC T85°C÷T100°C Db

Degree of Protection	IP66/67
----------------------	---------

Amb. Temp.	Standard	-20°C	+40°C



Entries Threading	NPT ANSI B1.20
-------------------	----------------

Material	Aluminum Light Alloy
----------	----------------------

Painting	External epoxy RAL 7000
----------	-------------------------

Standards and Certificates

Directive 2014/34/EU (ATEX)

EN 60079-0 • EN 60079-1
EN 60079-31

CE BVI 15 ATEX 0021

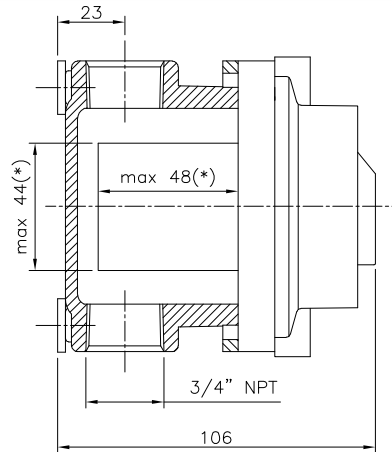
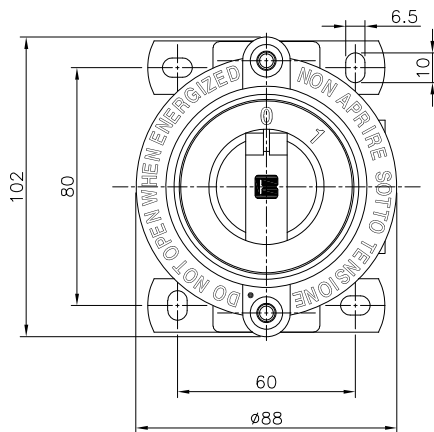
IEC 60079-0 • IEC 60079-1
IEC 60079-31

IECEx EPS 14.0103

- Breakers, selector switches, connecting switches series EFS are of rotating type with its knob on the front.
- Suitable for currents up to 16 A and voltages up to 690 VAC / 660 VDC.
- External screws in Stainless Steel.

- Options**
- Knob pad-lockable (add suffix "L").
 - Version for Group Gas IIC (add suffix "IIC").

- Cable entries Isometric M25x1.5 (M).
- Anticorrosion technology: ALUMINOX (see section A).



NOTES

Installation and maintenance instructions shall be carefully read.

The temperature class T6/T85°C considers an Ambient Temperature (A.T.) extended up to +60°C and class T5/T100°C with an A.T. extended up to +80°C.

(*) Max dimensions of the selector.

Code	Contact Elements	Identification Letter Suffix	Weight (g)
EFS 116	Single pole switch	-	700
EFS 216	Double pole switch	-	700
EFS 316	Three pole switch	-	700
EFS 416	Four pole switch	-	700
EFS 116/C	Single pole three position changeover switch	C	700
EFS 216/C	Double pole three position changeover switch	C	700
EFS 316/C	Three poles three position changeover switch	C	700
EFS 116/D	Single pole two position changeover switch	D	700
EFS 216/D	Double pole two position changeover switch	D	700
EFS 316/D	Three poles two position changeover switch	D	700
EFS .../I	(*) Reverser switch three poles up to 16 A	I	700
EFS .../M..	(*) Connecting switch, single or multiple poles up to 16 A	"M" followed by diagram code	700

Example: EFS 116DN

Order Coding

Type	Number of Poles	Max Current (A)	Identification Letter of the switch main function	Special electrical diagram code	Threading
EFS	1 = single pole 2 = double pole 3 = three poles 4 = four poles	16	.. = Switch C = Three pole changeover switch D = Two pole changeover switch I = Reverser switch M = Connecting switch	..	N = NPT (std) M = Metric



BREAKERS - SELECTORS - SWITCHES - CONNECTING SWITCHES

series
EFS

Protection	Gas	1-2	II2G	Ex d IIB o IIC ⁽¹⁾ (2) T6÷T4 Gb
	Dusts	Zone 21-22	II2D	Ex tb IIIC T85°C÷T135°C Db

Degree of Protection	IP66 o IP66/67
----------------------	----------------------

Amb. Temp.	Standard Extended	-20°C	+40°C
		-50°C	+80°C



Entries Threading	NPT ANSI B1.20
-------------------	-------------------

Material	Aluminum Light Alloy
----------	-------------------------

Painting	External epoxy RAL 7000
----------	----------------------------

Standards and Certificates

Directive 2014/34/EU (ATEX)

**EN 60079-0 • EN 60079-1
EN 60079-31**

BVI 15 ATEX 0021

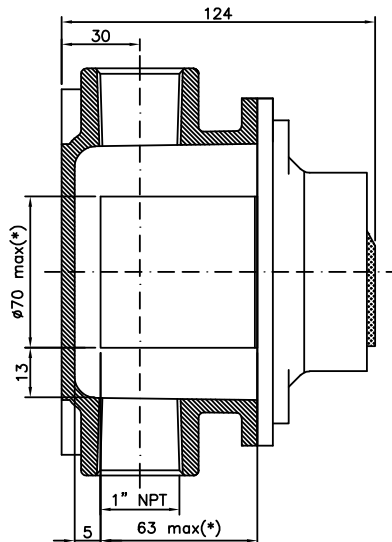
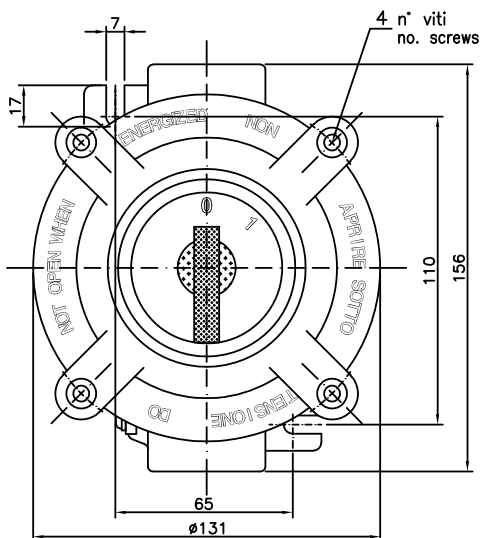
**IEC 60079-0 • IEC 60079-1
IEC 60079-31**

IECEx EPS 14.0103

- Breakers, selectors, switches and connecting switches series EFS are of rotating type with its knob on the front.
- Suitable for currents up to 32 A and voltages up to 690 VAC / 660 VDC.
- External screws in Stainless Steel.
- Weight: 1300 g.

- Options**
- Knob pad-lockable (add suffix "L").
 - Isometric cable entries (M).

- Anticorrosion technology: ALUMINOX (see section A).



NOTES

Installation and maintenance instructions shall be carefully read.

The temperature class T6/T85°C considers an Ambient Temperature (A.T.) extended up to +50°C, class T5/T100°C with an A.T. extended up to +70°C and class T4/T135°C an A.T. extended up to +80°C.

(1) Available only in IIB, for any different requirements please contact our tech.dpt.

(2) IIC version is available only with degree of protection IP66/67.

(*) Max dimensions of the selector.

(°) Diagrams C - D - I - M are available up to size 32 A.

Code	Contact elements	Identification letter suffix	Weight (g)
EFS 325	Three pole switch	-	1300
EFS 425	Four poles switch	-	1300
EFS 332	Three pole switch	-	1300
EFS 432	Four poles switch	-	1300
EFS .../C	(*) Single or multiple pole three position changeover switch up to 32 A	C (°)	
EFS .../D	(*) Single or multiple pole two position changeover switch up to 32 A	D (°)	
EFS .../I	(*) Three pole reverser switch up to 32 A	I (°)	
EFS .../ M..	(*) Single or multiple pole connecting switch up to 32 A	"M" Followed by diagram code (°)	

Example: EFS 325CN

Order Coding

Type	Number of poles	Max current (A)	Identification Letter of the switch main function	Special electrical diagram code	Threading
EFS	1 = single pole 2 = double pole 3 = three pole 4 = four pole	25 32	.. = Switch C = Three pole changeover switch D = Two pole changeover switch I = Reverser switch M = Connecting switch	..	N = NPT (std) M = Metric



BREAKERS - SELECTORS - SWITCHES - CONNECTING SWITCHES

series
EFS

Protection	Gas	1-2	II2G	Ex d IIB o IIC ⁽¹⁾ (²) T6÷T4 Gb
	Dusts	21-22	II2D	Ex tb IIIC T85°C÷T135°C Db

Degree of Protection	IP66 or IP66/67
----------------------	-----------------

Amb. Temp.	Standard	-20°C	+40°C
	Extended	-50°C	+80°C



Entries Threading	NPT ANSI B1.20
-------------------	----------------

Material	Aluminum Light Alloy
----------	----------------------

Painting	External epoxy RAL 7000
----------	-------------------------

Standards and Certificates

Directive 2014/34/EU (ATEX)

EN 60079-0 • EN 60079-1
EN 60079-31

CE BVI 15 ATEX 0021

IEC 60079-0 • IEC 60079-1
IEC 60079-31

IECEx EPS 14.0103

- Breakers, selectors, switches and connecting switches series EFS are of rotating type with its knob on the front.
- Suitable for currents up to 63 A and voltages up to 690 VAC / 660 VDC.
- External screws in Stainless Steel.
- Weight: 2300 g.

- Options**
- Knob pad-lockable (add suffix "L").
 - Isometric cable entries (M).

- Anticorrosion technology: ALUMINOX (see section A).

NOTES

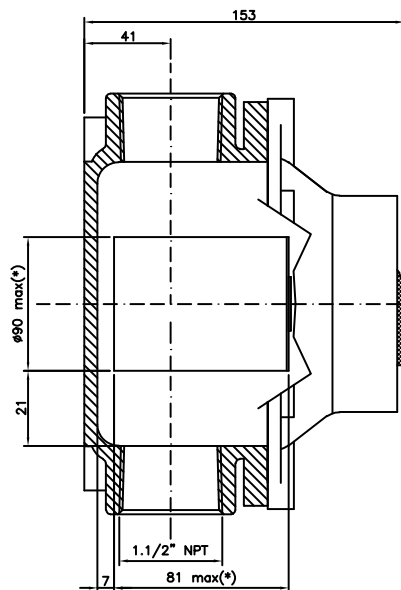
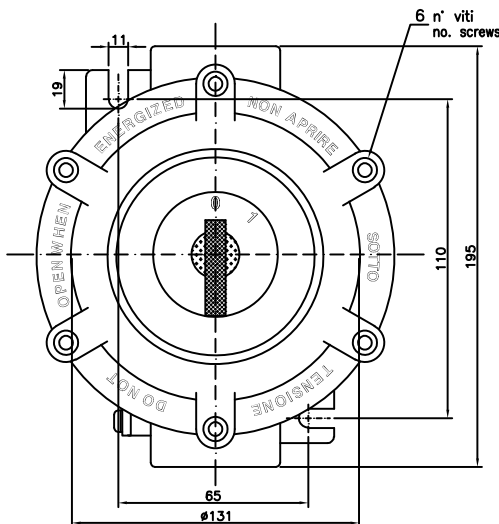
Installation and maintenance instructions shall be carefully read.

The temperature class T6/T85°C considers an Ambient Temperature (A.T.) extended up to +50°C, class T5/T100°C with an A.T. extended up to +70°C and class T4/T135°C an A.T. extended up to +80°C.

(¹) Available only in IIB, for any different requirements, please contact our tech.dpt.

(²) IIC version is available only with degree of protection IP66/67.

(*) Max dimensions of the selector.



Code	Contact elements	Identification letter suffix	Weight (g)
EFS 340	Three pole switch	-	2300
EFS 440	Four poles switch	-	2300
EFS 363	Three pole switch	-	2300
EFS 463	Four poles switch	-	2300

Example: EFS 463N

Order Coding

Type	Number of poles	Max current (A)	Identification Letter of the switch main function	Special electrical diagram code	Threading
EFS	1 = single pole 2 = double pole 3 = three pole 4 = four pole	63	.. = Switch	..	N = NPT (std) M = Metric

