

## NAVP series cable glands in polyamide for non-armoured cable

NAVP series cable glands in polyamide with ISO thread are used in hazardous areas to allow direct insertions of unarmoured cables into Ex e (NAVP..IXE) or Ex i (NAVP..IXI) equipment or junction boxes. They can be installed easily, they are strikes resistant until 7J and they ensure Ex e and IP protection on the cable external sheath.



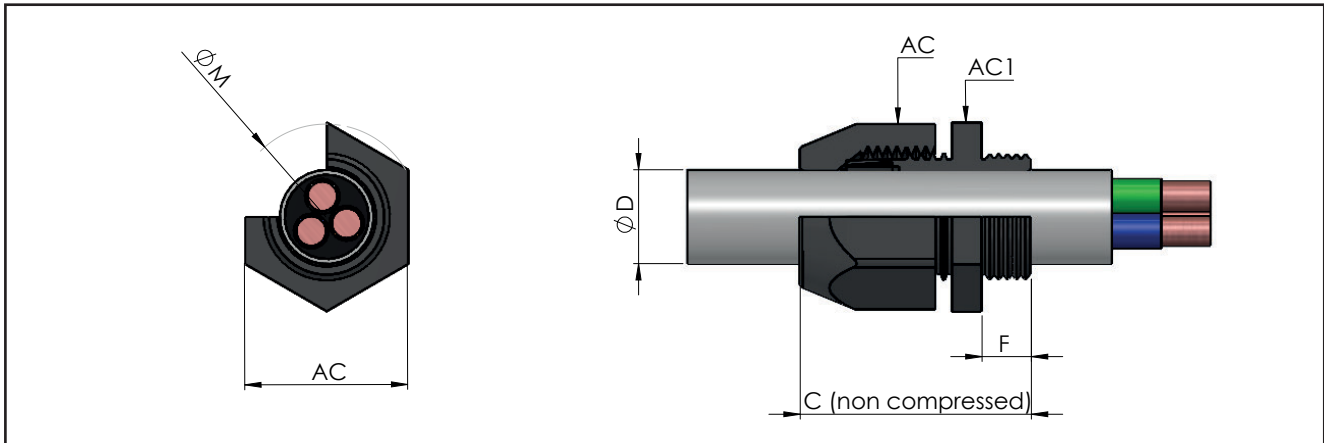
<b>Classification:</b> 2014/34/UE	<b>Group II</b>	<b>Category 2GD</b>
<b>Installation:</b> EN 60079.14	<b>zone 1 - zone 2 (Gas)</b>	<b>zone 21 - zone 22 (Dust)</b>
<b>Marking:</b>	<b>CE 0722 Ex II 2 GD - Ex eb IIC Gb Ex tb IIIC Db IP66/68*</b>	
<b>Certification:</b>	<b>ATEX</b>	<b>IMQ 16 ATEX 005X</b>
	<b>IECEX</b>	<b>IECEX IMQ 15.0009X</b>
<b>Standards:</b>	<b>CENELEC EN 60079-0: 2012/13, EN 60079-7: 2007, EN 60079-11: 2012, EN 60079-31: 2014 ed alla DIRETTIVA EUROPEA 2014/34/UE IEC 60079-0: 2011, IEC 60079-7: 2015, IEC 60079-11: 2011, IEC 60079-31: 2013 Direttiva RoHS 2002/95/CE</b>	
<b>Operating temperature:</b>	<b>-60°C +70°C</b>	
<b>Degree of protection:</b>	<b>IP66/68</b>	

Certificates are available on [comm@antideflagranticge.com](mailto:comm@antideflagranticge.com)

\* Ex e IIC cable glands can be used with Ex i circuits. The nut of these cable gland shall be painted blue and marking will not be changed. The nut of these cable gland shall be painted blue and marking will not be changed.

### Accessories upon request

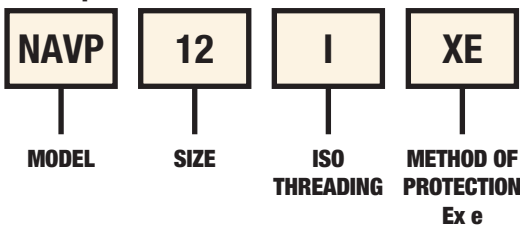
Locknut	ISO thread	Code	Material	Plugs for IP protection	ISO thread	Code
	M12x1,5	<b>DL02IXEP</b>	Polyamide		M12x1,5	<b>PT02</b>
	M16x1,5	<b>DL01IXEP</b>			M16x1,5	<b>PT01</b>
	M20x1,5	<b>DL1IXEP</b>			M20x1,5	<b>PT1</b>
	M25x1,5	<b>DL2IXEP</b>			M25x1,5	<b>PT2</b>
	M32x1,5	<b>DL3IXEP</b>			M32x1,5	<b>PT3</b>
	M40x1,5	<b>DL4IXEP</b>			M40x1,5	<b>PT4</b>
	M50x1,5	<b>DL5IXEP</b>			M50x1,5	<b>PT5</b>
	M63x1,5	<b>DL6IXEP</b>			M63x1,5	<b>PT6</b>



**CABLE GLANDS SELECTION TABLE**

Code Polyamide	Method of protection	Thread	Dimensions in mm					Range	Weight
			AC	AC1	ØM	F	C	ØD min-max	Kg
NAV P12IXE	Ex e	M12x1,5	15	15	17	10	32	4 - 6,5	0,004
NAV P16IXE		M16x1,5	22	22	25	15	44,5	6 - 10	0,006
NAV P20IXE		M20x1,5	24	24	28	15	45	7 - 12	0,010
NAV P25IXE-X6DS		M25x1,5	33	33	38	15	50	10 - 18	0,016
NAV P25IXE		M25x1,5	33	33	38	15	50	14 - 18	0,016
NAV P32IXE		M32x1,5	42	42	48	15	55,5	19 - 25	0,042
NAV P40IXE		M40x1,5	53	53	60	18	68	23 - 32	0,074
NAV P50IXE		M50x1,5	60	60	69	18	72	31 - 38	-
NAV P63IXE		M63x1,5	65	65	75	18	72	35 - 44	-
NAV P12IXI	Ex i	M12x1,5	15	15	17	10	32	4 - 6,5	0,004
NAV P16IXI		M16x1,5	22	22	25	15	44,5	6 - 10	0,006
NAV P20IXI		M20x1,5	24	24	28	15	45	7 - 12	0,010
NAV P25IXI		M25x1,5	33	33	38	15	50	14 - 18	0,016
NAV P32IXI		M32x1,5	42	42	48	15	55,5	19 - 25	0,042
NAV P40IXI		M40x1,5	53	53	60	18	68	23 - 32	0,074
NAV P50IXI		M50x1,5	60	60	69	18	72	31 - 38	-
NAV P63IXI		M63x1,5	65	65	75	18	72	35 - 44	-

**Example of Order Code**



**TECHNICAL NOTES:**

- Silicone gaskets
- Color of cable gland black RAL 9005 (Ex e) or blue RAL 5015 (Ex i)
- Strikes resistant 7J

