



One unit



Two units



Three units



Four units



Emergency P.B.



Emergency P.B.



Emergency P.B.

**BODY AND COVER IN
COPPER FREE ALUMINUM ALLOY
PAGES 1--16**



Inox version



Inox Emergency P.B.



Inox Emergency P.B.

**BODY AND COVER IN
STAINLESS STEEL
PAGES 17 -- 28**

DISTRIBUITO DA- DISTRIBUTED BY



GCE SRL

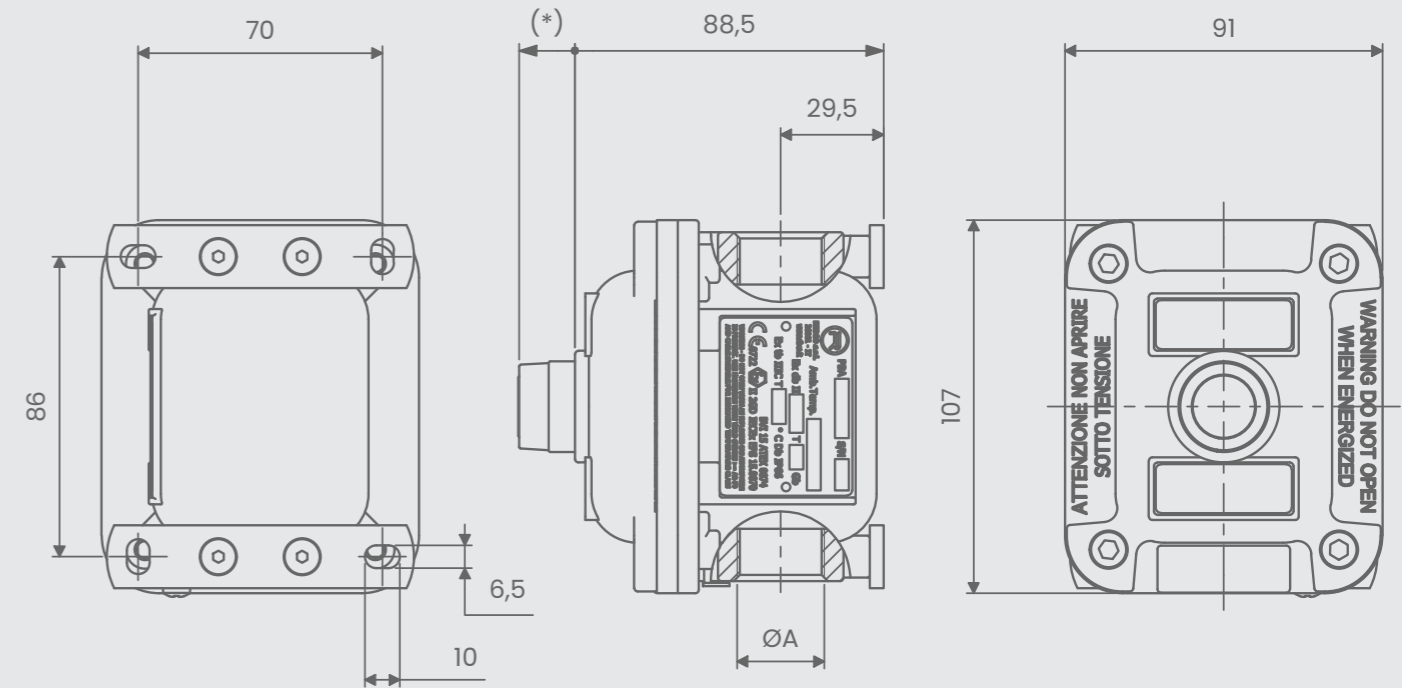
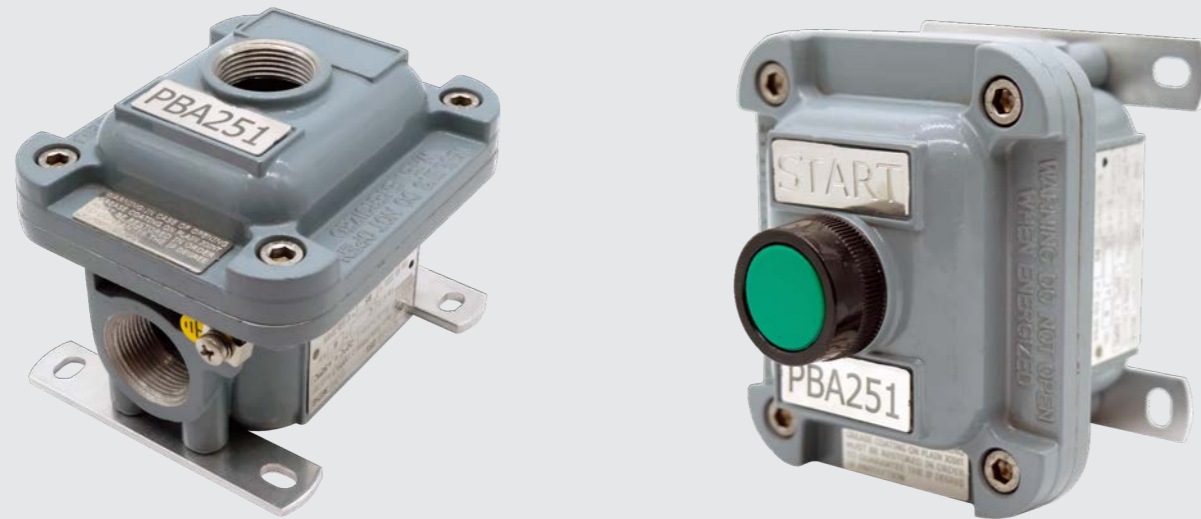


MILANO - ITALY

www.antideflagranti.com

PBA 21 / 251

Pushbutton and control station with one unit.
The equipment can install different type of units like pushbutton or signalling units.



Features

- Material used:** alluminium low copper grade
- Max ambient temperature:** -50°C up to 80°C
- NPT thread:** 3/4" NPT
- ISO 262 thread:** M25x1.5
- Degree of protection:** IP66
- Max rated voltage:** 690Vac/440Vdc

- AC1 max current value:** 10A
- AC15 max current value:** 4A
- Cable section:** 1,5 ÷ 2,5 mmq
- Nominal frequency:** 50/60Hz
- External painting:** grey RAL7000

Code	ØA
PBA251	M25x1.5 - 6H
PBA21	3/4" NPT

(*) Lenght of unit may vary

ATEX & IECEx Equipment Data		
Gas	Group I Zone 1	Ex db IIB T6 Gb
Dust	Group II Zone 21	Ex tb IIIC T85°C Db IP66
		Tamb: -20°C ÷ +40°C
ATEX Certificate		IECEx Certificate
BVI 15 ATEX 0074		IECEx EPS 15.0070

DISTRIBUITO DA- DISTRIBUTED BY

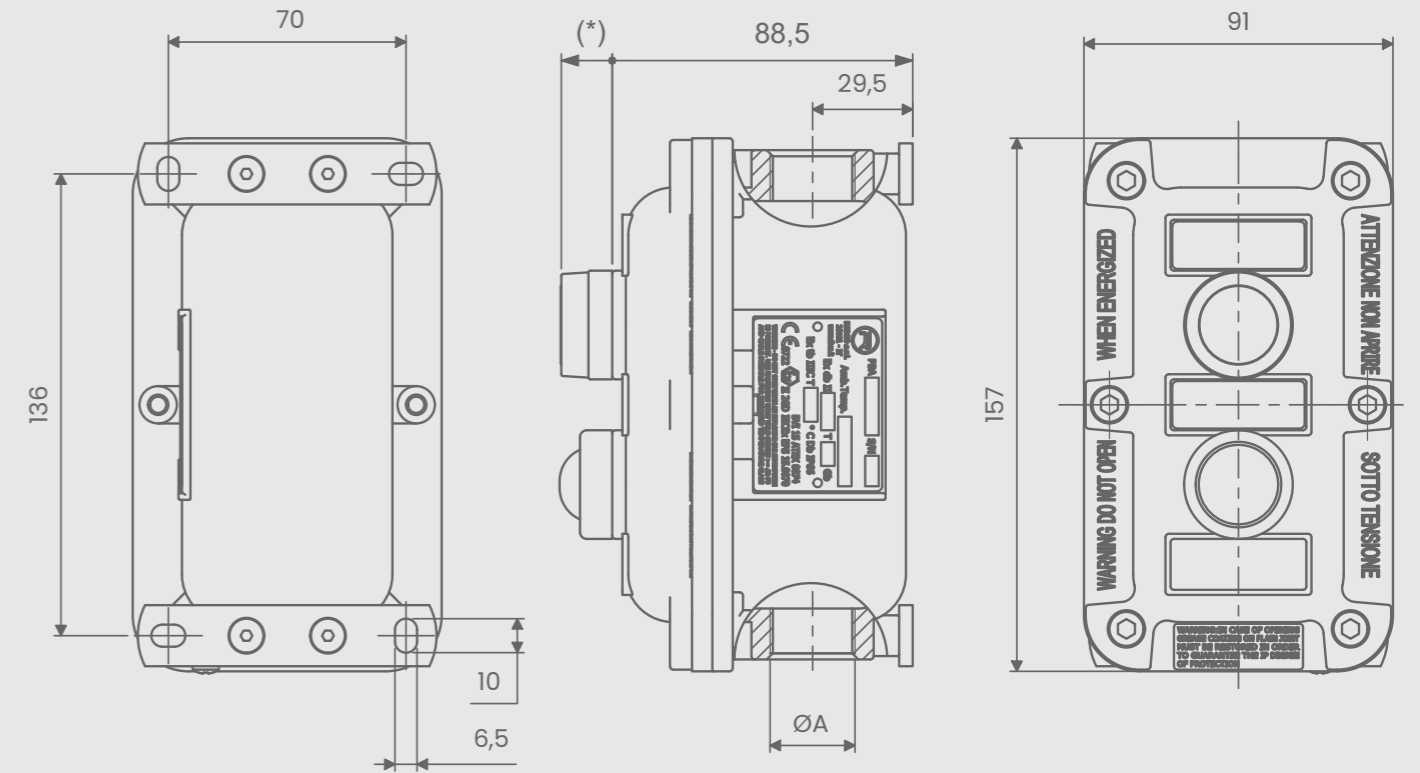


MILANO - ITALY

www.antideflagranti.com

PBA 22 / 252

Pushbutton and control station with two units.
The equipment can install different type of units like pushbutton or signalling units.



Features

Material used: alluminium low copper grade

Max ambient temperature: -50°C up to 80°C

NPT thread: 3/4" NPT

ISO 262 thread: M25x1.5

Degree of protection: IP66

Max rated voltage: 690Vac/440Vdc

AC1 max current value: 10A

AC15 max current value: 4A

Cable section: 1,5 ÷ 2,5 mmq

Nominal frequency: 50/60Hz

External painting: grey RAL7000

Code	ØA
PBA252	M25x1.5 - 6H
PBA22	3/4" NPT

(*) Lenght of unit may vary

ATEX & IECEx Equipment Data

Gas	Group I Zone 1	Ex db IIB T6 Gb
Dust	Group II Zone 21	Ex tb IIIC T85°C Db IP66
		Tamb: -20°C ÷ +40°C

ATEX Certificate	IECEx Certificate
BVI 15 ATEX 0074	IECEx EPS 15.0070

DISTRIBUITO DA- DISTRIBUTED BY



MILANO - ITALY
www.antideflagranti.com

PBA 23 / 253

Pushbutton and control station with three units.
The equipment can install different type of units like pushbutton or signalling units.



Features

Material used: alluminium low copper grade

Max ambient temperature: -50°C up to 80°C

NPT thread: 3/4" NPT

ISO 262 thread: M25x1.5

Degree of protection: IP66

Max rated voltage: 690Vac/440Vdc

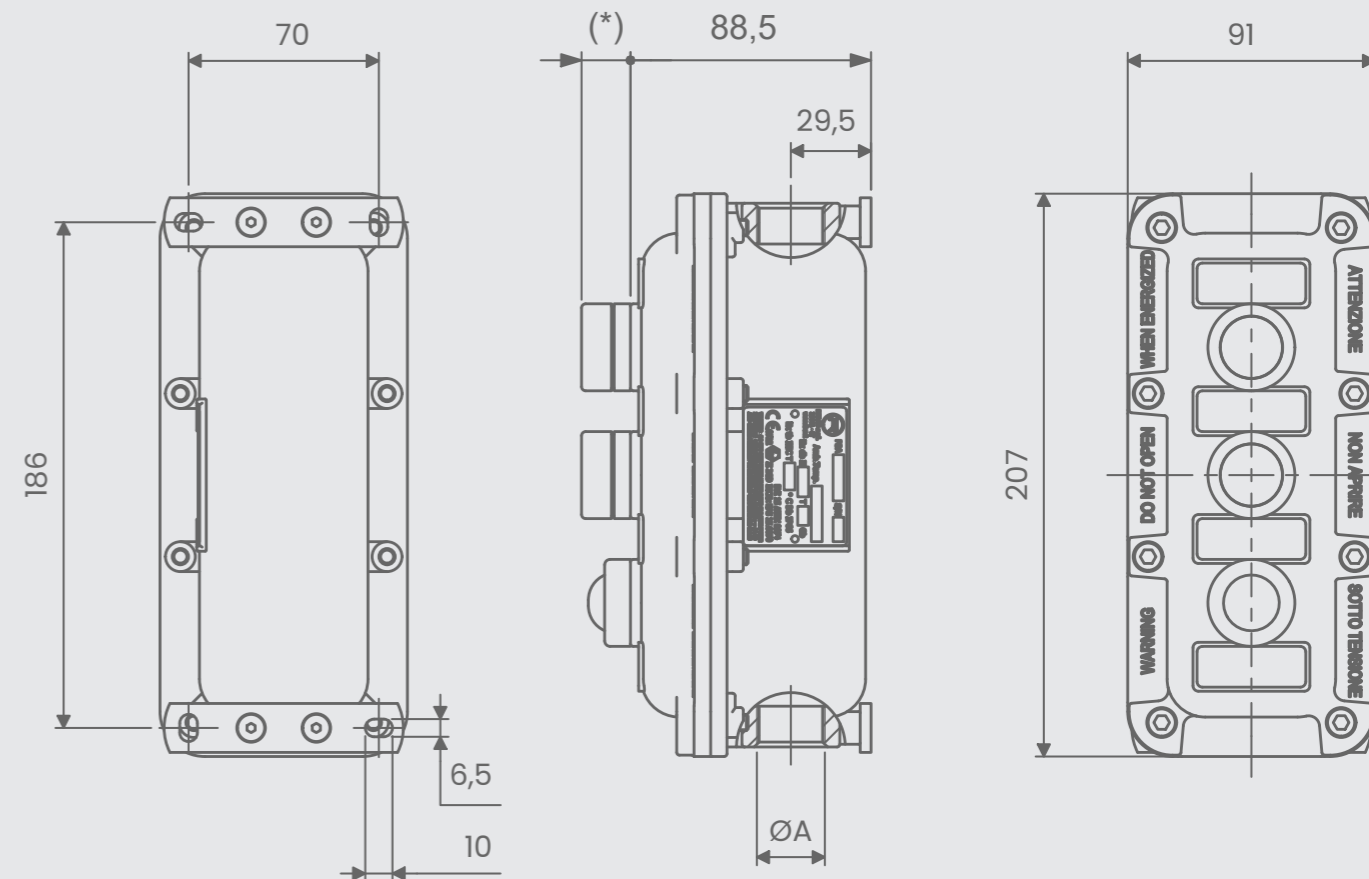
AC1 max current value: 10A

AC15 max current value: 4A

Cable section: 1,5 ÷ 2,5 mmq

Nominal frequency: 50/60Hz

External painting: grey RAL7000



Code	ØA
PBA253	M25x1.5 - 6H
PBA23	3/4" NPT

(*) Lenght of unit may vary

ATEX & IECEx Equipment Data

Gas	Group I Zone 1	Ex db IIB+H2 T6 Gb
Dust	Group II Zone 21	Ex tb IIIC T85°C Db IP66
		Tamb: -20°C ÷ +40°C

ATEX Certificate	IECEx Certificate
BVI 15 ATEX 0074	IECEx EPS 15.0070

DISTRIBUITO DA- DISTRIBUTED BY



MILANO - ITALY
www.antideflagranti.com

PBA 34 / 324

Pushbutton and control station with four units.
The equipment can install different type of units like pushbutton or signalling units.



Features

Material used: alluminium low copper grade

Max ambient temperature: -50°C up to 80°C

NPT thread: 1" NPT

ISO 262 thread: M32x1.5

Degree of protection: IP66

Max rated voltage: 690Vac/440Vdc

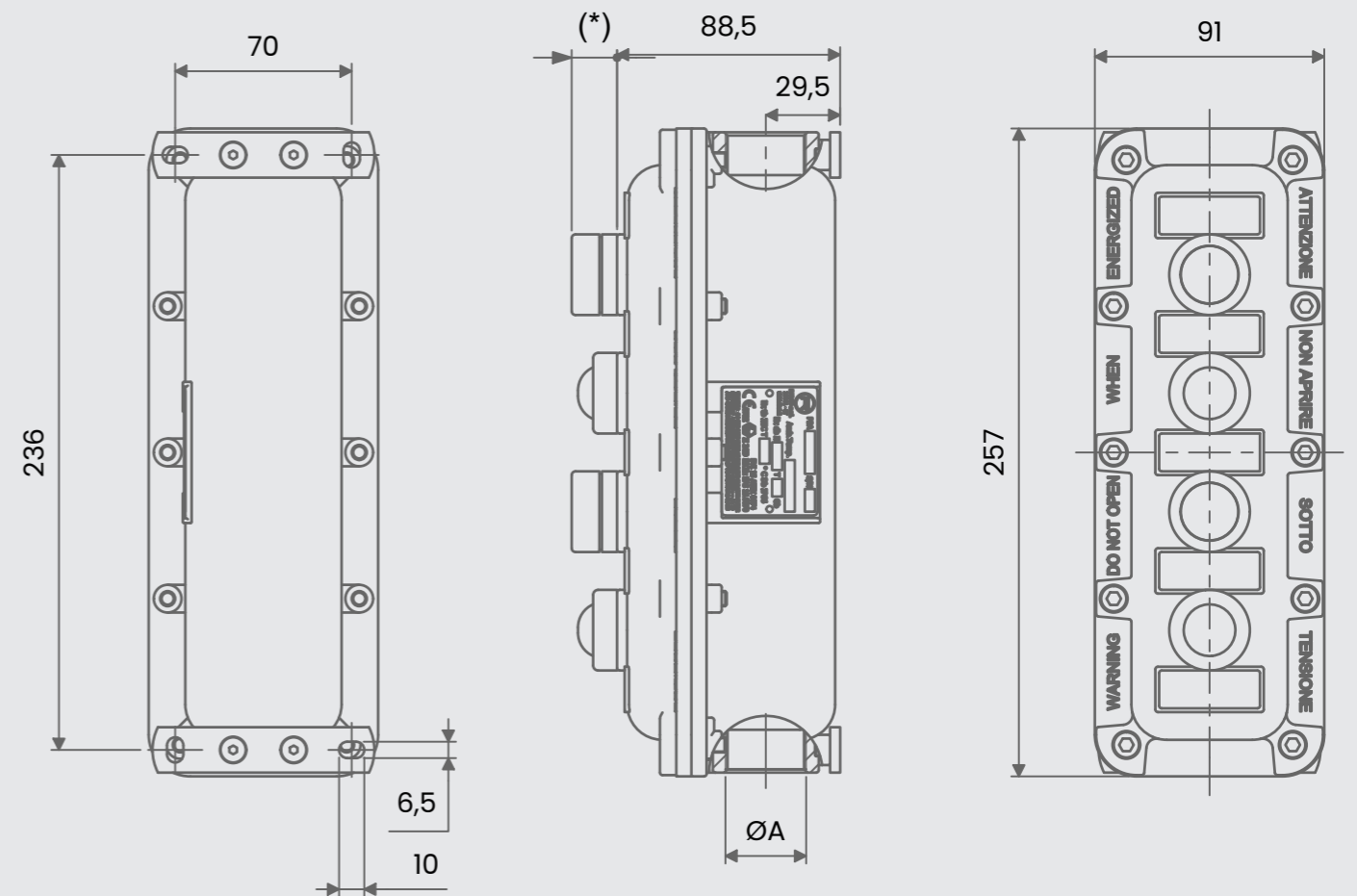
AC1 max current value: 10A

AC15 max current value: 4A

Cable section: 1,5 ÷ 2,5 mmq

Nominal frequency: 50/60Hz

External painting: grey RAL7000



Code	ØA
PBA324	M32x1.5 - 6H
PBA34	1" NPT

(*) Length of unit may vary

ATEX & IECEx Equipment Data

Gas	Group I Zone 1	Ex db IIB+H2 T6 Gb
Dust	Group II Zone 21	Ex tb IIIC T85°C Db IP66
		Tamb: -20°C ÷ +40°C

ATEX Certificate

BVI 15 ATEX 0074

IECEx Certificate

IECEx EPS 15.0070



DISTRIBUITO DA- DISTRIBUTED BY

GCE SRL

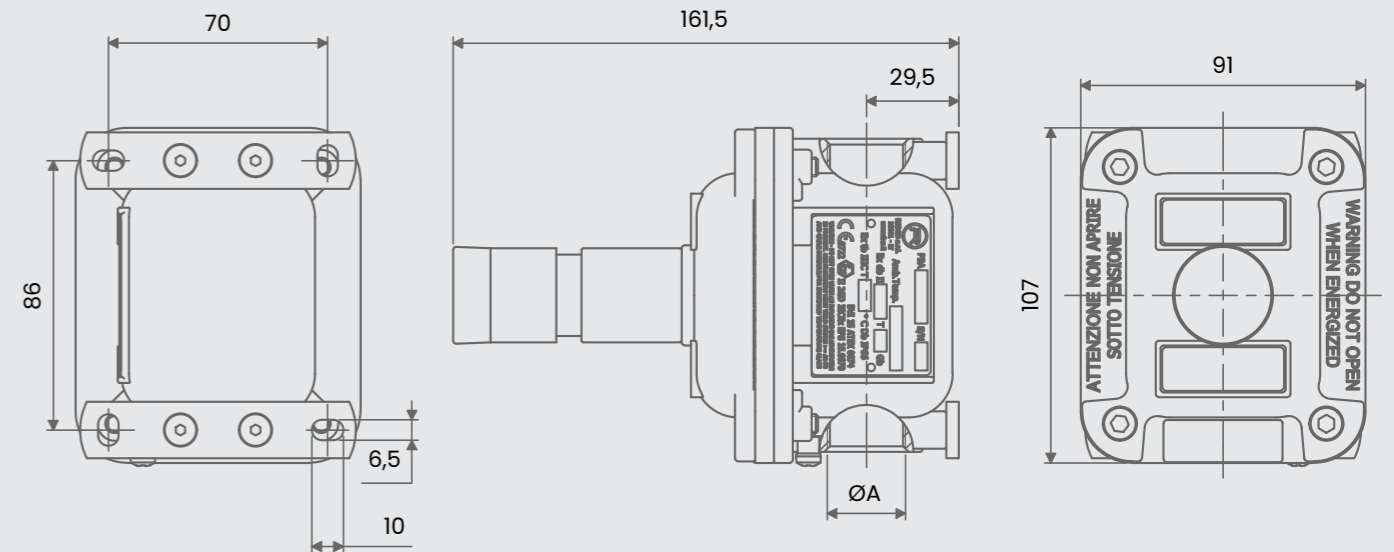


MILANO - ITALY

www.antideflagranti.com

PBA EFP

Pushbutton with emergency mushroom with pull release.



Features

Material used: aluminium low copper grade

Max ambient temperature: -50°C up to 80°C

NPT thread: 3/4" NPT

ISO 262 thread: M25x1.5

Degree of protection: IP66

Max rated voltage: 690Vac/440Vdc

AC1 max current value: 10A

AC15 max current value: 4A

Cable section: 1,5 ÷ 2,5 mmq

Nominal frequency: 50/60Hz

External painting: grey RAL7000

Code	ØA
PBA251-EFP3RD	M25x1.5 - 6H
PBA21-EFP3RD	3/4" NPT

ATEX & IECEx Equipment Data

Gas	Group I Zone 1	Ex db IIB T6 Gb
Dust	Group II Zone 21	Ex tb IIIC T85°C Db IP66
		Tamb: -20°C ÷ +40°C

ATEX Certificate	IECEx Certificate
BVI 15 ATEX 0074	IECEx EPS 15.0070

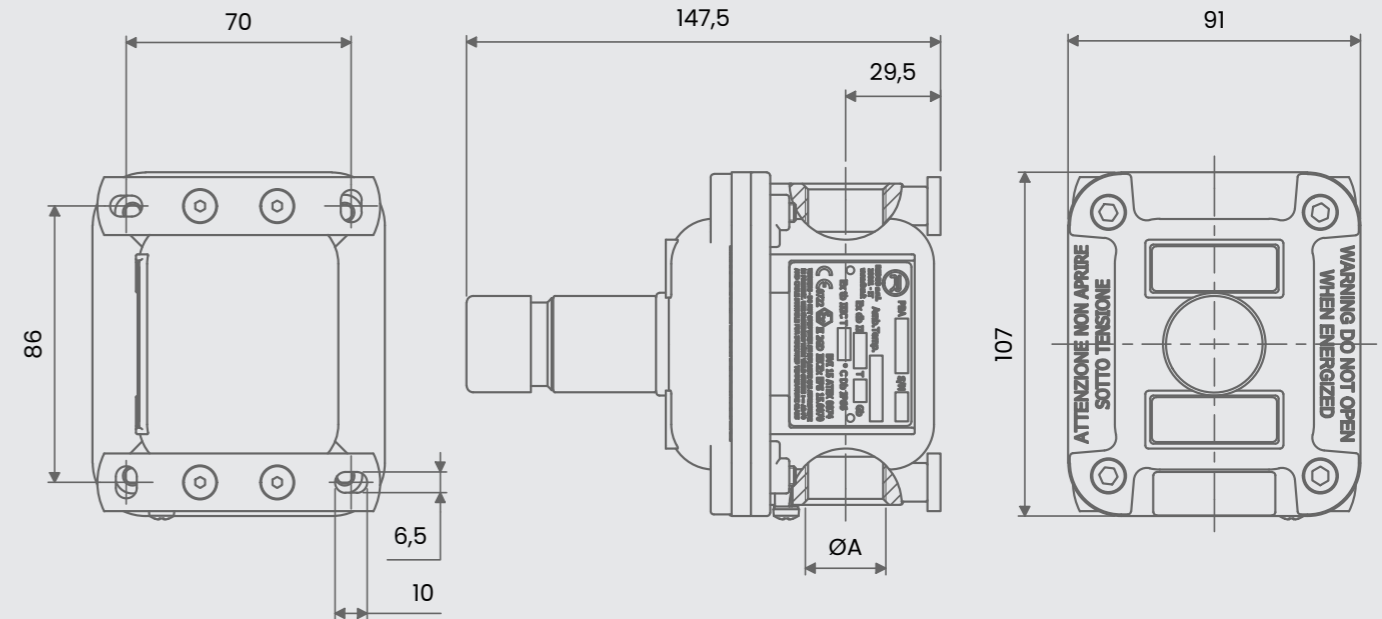
DISTRIBUITO DA- DISTRIBUTED BY

 **GCE SRL** 

MILANO - ITALY
www.antideflagrante.com

PBA EFR

Pushbutton with emergency mushroom with rotary release.



Features

Material used: alluminium low copper grade

Max ambient temperature: -50°C up to 80°C

NPT thread: 3/4" NPT

ISO 262 thread: M25x1.5

Degree of protection: IP66

Max rated voltage: 690Vac/440Vdc

AC1 max current value: 10A

AC15 max current value: 4A

Cable section: 1,5 ÷ 2,5 mmq

Nominal frequency: 50/60Hz

External painting: grey RAL7000

Code	ØA
PBA251-EFR3RD	M25x1.5 - 6H
PBA21-EFR3RD	3/4" NPT

ATEX & IECEx Equipment Data		
Gas	Group I Zone 1	Ex db IIB T6 Gb
Dust	Group II Zone 21	Ex tb IIIC T85°C Db IP66
Tamb: -20°C ÷ +40°C		

ATEX Certificate	IECEx Certificate
BVI 15 ATEX 0074	IECEx EPS 15.0070

DISTRIBUITO DA- DISTRIBUTED BY



MILANO - ITALY

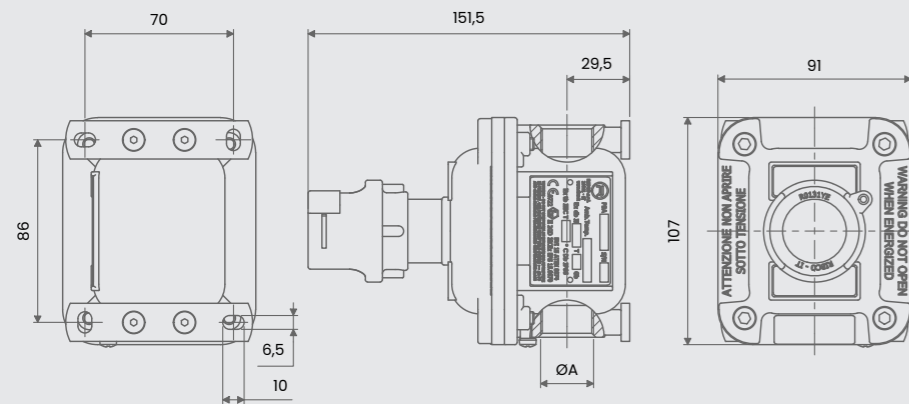
www.antideflagranti.com

EMERGENCY PUSHBUTTON

PBA EFR - Options Available

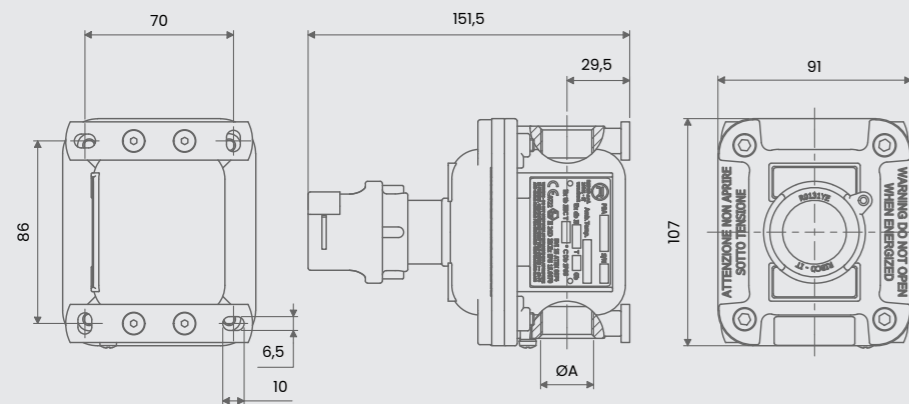
- With protection guard.

Code	ØA
PBA251-EFR3GR	M25x1.5 - 6H
PBA21-EFR3GR	3/4" NPT



- With protection guard and lockable bracket

Code	ØA
PBA251-EFR3GL	M25x1.5 - 6H
PBA21-EFR3GL	3/4" NPT



DISTRIBUITO DA- DISTRIBUTED BY



GCE SRL

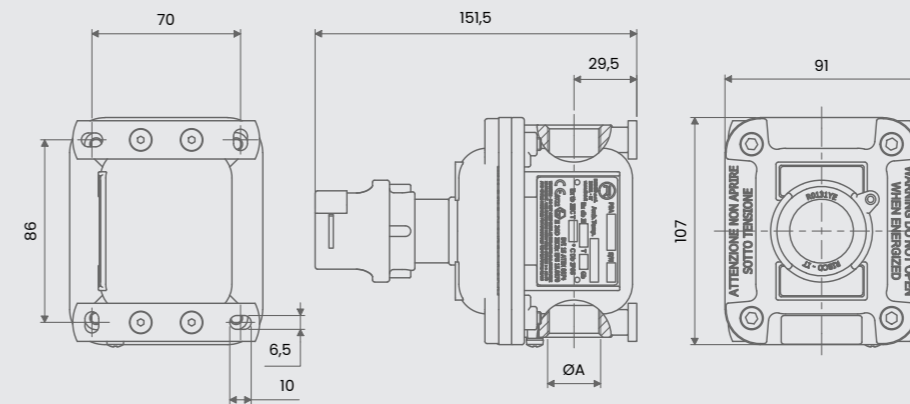


MILANO - ITALY

www.antideflagranti.gce.com

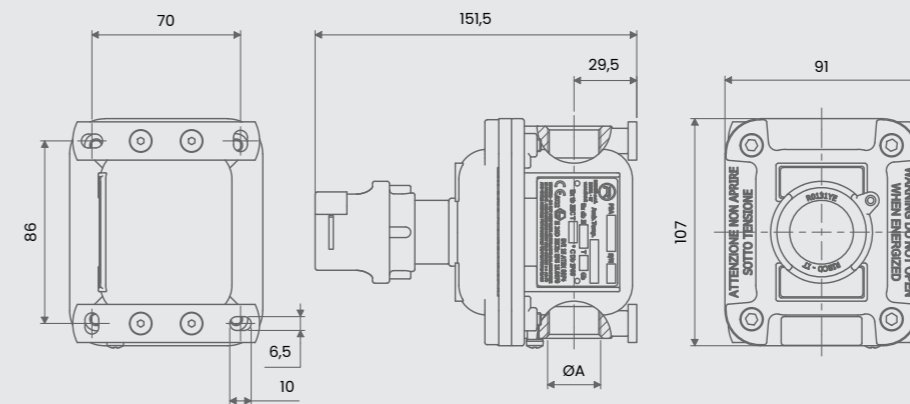
- With protection guard and rotary plate

Code	ØA
PBA251-EFR3GP	M25x1.5 - 6H
PBA21-EFR3GP	3/4" NPT



- With protection guard, rotary plate and lockable bracket

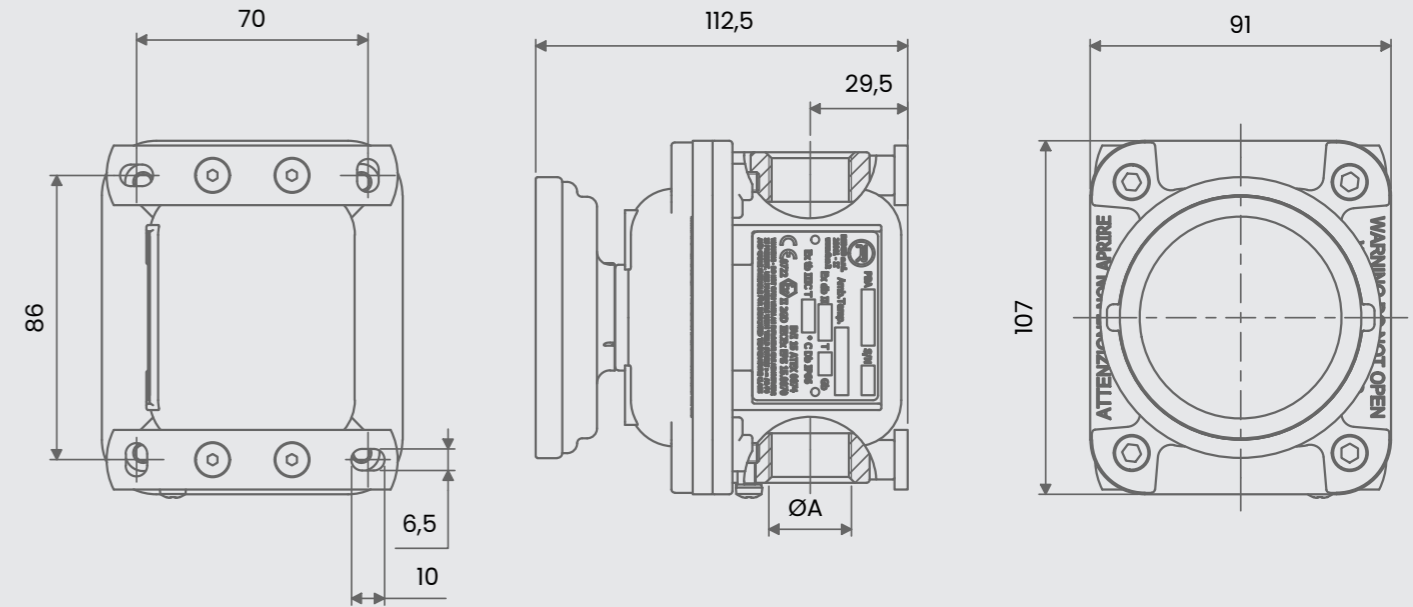
Code	ØA
PBA251-EFR3GP	M25x1.5 - 6H
PBA21-EFR3GP	3/4" NPT



comm@antideflagranti.gce.com

PBA E0

Emergency pushbutton station with breaking glass.
Automatic release of the pushbutton.



Features

Material used: alluminium low copper grade

Max ambient temperature: -50°C up to 80°C

NPT thread: 3/4" NPT

ISO 262 thread: M25x1,5

Degree of protection: IP66

Max rated voltage: 690Vac/440Vdc

AC1 max current value: 10A

AC15 max current value: 4A

Cable section: 1,5 ÷ 2,5 mmq

Nominal frequency: 50/60Hz

External painting: red RAL3000

ORDER CODING

Code	Button color	Electrical contacts		
PBA251-E0	BK ●	01 - 1 NC	10 - 1 NO	11 - 1 NC + 1 NO
	BU ●			
	YE ●			
	RD ●			
	GN ●			
	WH ○			
PBA21-E0		02 - 2 NC	20 - 2 NO	12 - 1 NO + 2 NC
		03 - 3 NC	30 - 3 NO	21 - 2 NO + 1 NC

ATEX & IECEx Equipment Data

Gas	Group I Zone 1	Ex db IIB T6 Gb
Dust	Group II Zone 21	Ex tb IIIC T85°C Db IP66
		Tamb: -20°C ÷ +40°C

ATEX Certificate

BVI 15 ATEX 0074

IECEx Certificate

IECEx EPS 15.0070

DISTRIBUITO DA- DISTRIBUTED BY



GCE SRL

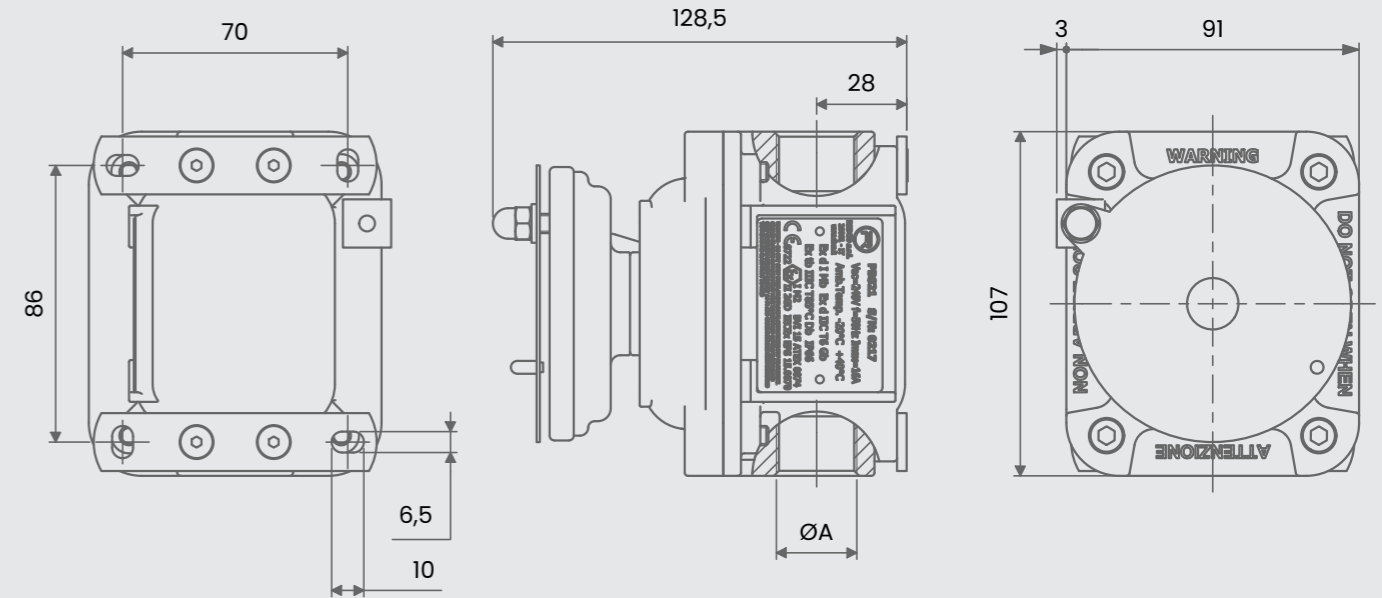


MILANO - ITALY

www.antideflagranti.com

PBA E0G

Emergency pushbutton station with breaking glass and steel protection guard.
Automatic release of the pushbutton.



Features

Material used: alluminium low copper grade

Max ambient temperature: -50°C up to 80°C

NPT thread: 3/4" NPT

ISO 262 thread: M25x1,5

Degree of protection: IP66

Max rated voltage: 690Vac/440Vdc

AC1 max current value: 10A

AC15 max current value: 4A

Cable section: 1,5 ÷ 2,5 mmq

Nominal frequency: 50/60Hz

External painting: red RAL3000

ORDER CODING

Code	Button color	Electrical contacts		
PBA251-E0G	BK ●	01 - 1 NC	10 - 1 NO	11 - 1 NC + 1 NO
	BU ●			
	YE ●			
	RD ●			
	GN ●			
	WH ○			
PBA21-E0G		02 - 2 NC	20 - 2 NO	12 - 1 NO + 2 NC
		03 - 3 NC	30 - 3 NO	21 - 2 NO + 1 NC

ATEX & IECEx Equipment Data

Gas	Group I Zone 1	Ex db IIB T6 Gb
Dust	Group II Zone 21	Ex tb IIIC T85°C Db IP66
		Tamb: -20°C ÷ +40°C

ATEX Certificate

BVI 15 ATEX 0074

IECEx Certificate

IECEx EPS 15.0070

DISTRIBUITO DA- DISTRIBUTED BY



GCE SRL

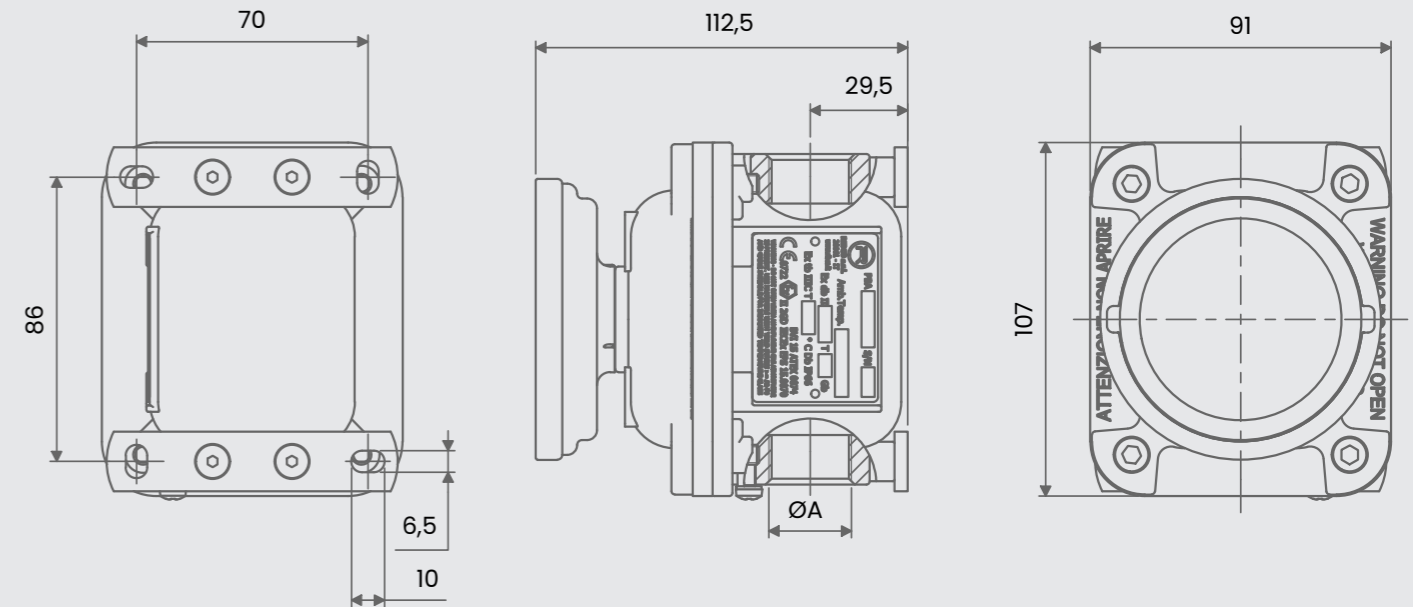


MILANO - ITALY

www.antideflagranti.com

PBA EOL

Emergency lighting pushbutton station with breaking glass.
Automatic release of the pushbutton.



Features

Material used: alluminium low copper grade

Max ambient temperature: -50°C up to 80°C

NPT thread: 3/4" NPT

ISO 262 thread: M25x1,5

Degree of protection: IP66

Max rated voltage: 690Vac/440Vdc

AC1 max current value: 10A

AC15 max current value: 4A

Cable section: 1,5 ÷ 2,5 mmq

Nominal frequency: 50/60Hz

External painting: red RAL3000

ORDER CODING

Code	Button color	Electrical contacts	LED
PBA251-EOL	BK ● BU ● YE ●	01 - 1 NC	A - 12-30V AC/DC
	RD ●	10 - 1 NO	
PBA21-EOL	GN ● WH ○	02 - 2 NC	B - 100-230V AC
		20 - 2 NO	
		03 - 3 NC	30 - 3 NO

ATEX & IECEx Equipment Data

Gas	Group I Zone 1	Ex db IIB T6 Gb
Dust	Group II Zone 21	Ex tb IIIC T85°C Db IP66
		Tamb: -20°C ÷ +40°C

ATEX Certificate

BVI 15 ATEX 0074

IECEx Certificate

IECEx EPS 15.0070

DISTRIBUITO DA- DISTRIBUTED BY



GCE SRL

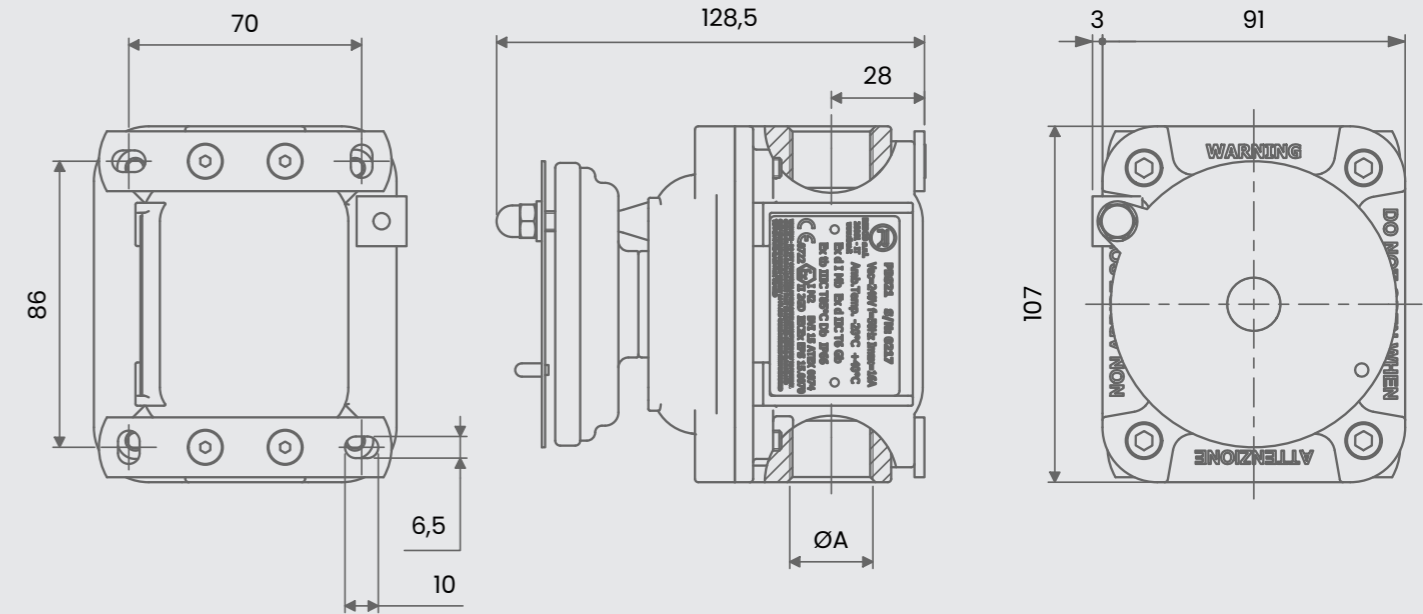


MILANO - ITALY

www.antideflagrante.com

PBA E0LG

Emergency lighting pushbutton station with breaking glass and steel protection guard.
Automatic release of the pushbutton.



Features

Material used: alluminium low copper grade

Max ambient temperature: -50°C up to 80°C

NPT thread: 3/4" NPT

ISO 262 thread: M25x1.5

Degree of protection: IP66

Max rated voltage: 690Vac/440Vdc

AC1 max current value: 10A

AC15 max current value: 4A

Cable section: 1,5 ÷ 2,5 mmq

Nominal frequency: 50/60Hz

External painting: red RAL3000

ORDER CODING

Code	Button color	Electrical contacts	LED	
PBA251-E0L	BK ● BU ● YE ●	01 - 1 NC	10 - 1 NO	A - 12-30V AC/DC
PBA21-E0L	RD ● GN ● WH ○	02 - 2 NC	20 - 2 NO	
		03 - 3 NC	30 - 3 NO	B - 100-230V AC

ATEX & IECEx Equipment Data

Gas	Group I Zone 1	Ex db IIB T6 Gb
Dust	Group II Zone 21	Ex tb IIIC T85°C Db IP66
		Tamb: -20°C ÷ +40°C

ATEX Certificate

BVI 15 ATEX 0074

IECEx Certificate

IECEx EPS 15.0070

DISTRIBUITO DA- DISTRIBUTED BY



GCE SRL

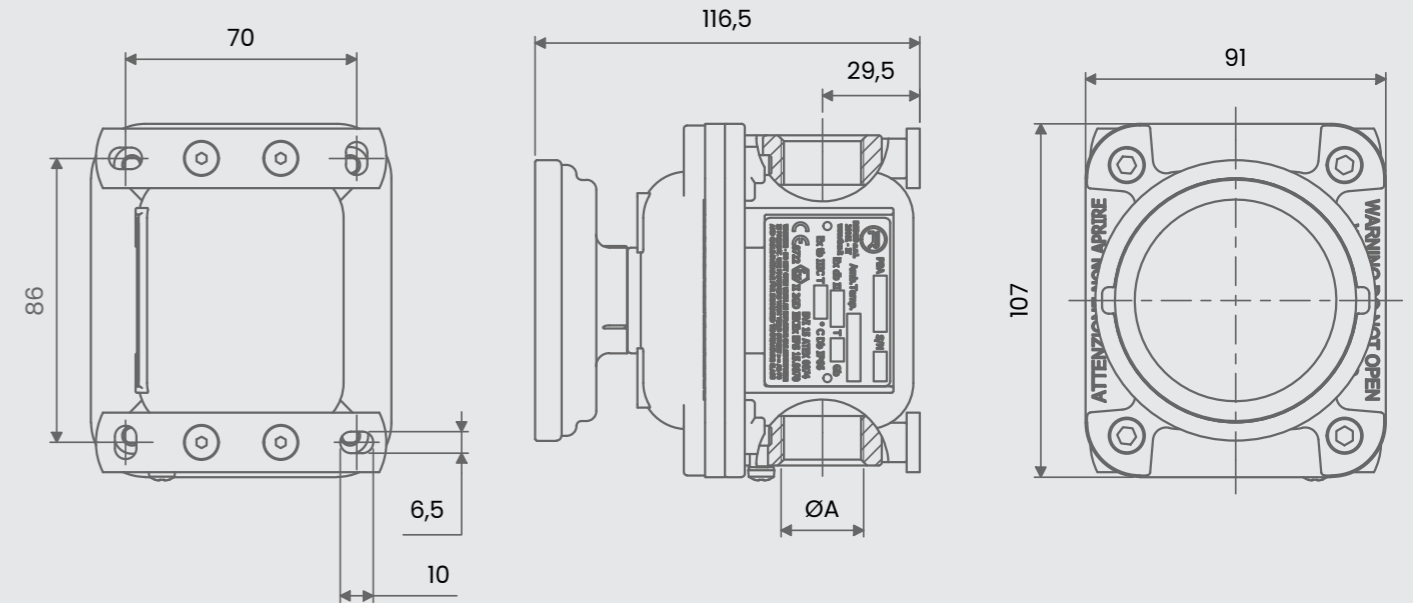


MILANO - ITALY

www.antideflagranti.com

PBA E1

Emergency pushbutton station with breaking glass.
Manual activation of the pushbutton.



Features

Material used: alluminium low copper grade

Max ambient temperature: -50°C up to 80°C

NPT thread: 3/4 " NPT

ISO 262 thread: M25x1,5

Degree of protection: IP66

Max rated voltage: 690Vac/440Vdc

AC1 max current value: 10A

AC15 max current value: 4A

Cable section: 1,5 ÷ 2,5 mmq

Nominal frequency: 50/60Hz

External painting: red RAL3000

ORDER CODING

Code	Button color	Electrical contacts		
PBA251-E1	BK ●	01 - 1 NC	10 - 1 NO	11 - 1 NC + 1 NO
	BU ●			
	YE ●			
	RD ●	02 - 2 NC	20 - 2 NO	12 - 1 NO + 2 NC
PBA21-E1	GN ●			
	WH ○	03 - 3 NC	30 - 3 NO	21 - 2 NO + 1 NC

ATEX & IECEx Equipment Data

Gas	Group I Zone 1	Ex db IIB T6 Gb
Dust	Group II Zone 21	Ex tb IIIC T85°C Db IP66
		Tamb: -20°C ÷ +40°C

ATEX Certificate

BVI 15 ATEX 0074

IECEx Certificate

IECEx EPS 15.0070

DISTRIBUITO DA- DISTRIBUTED BY



GCE SRL

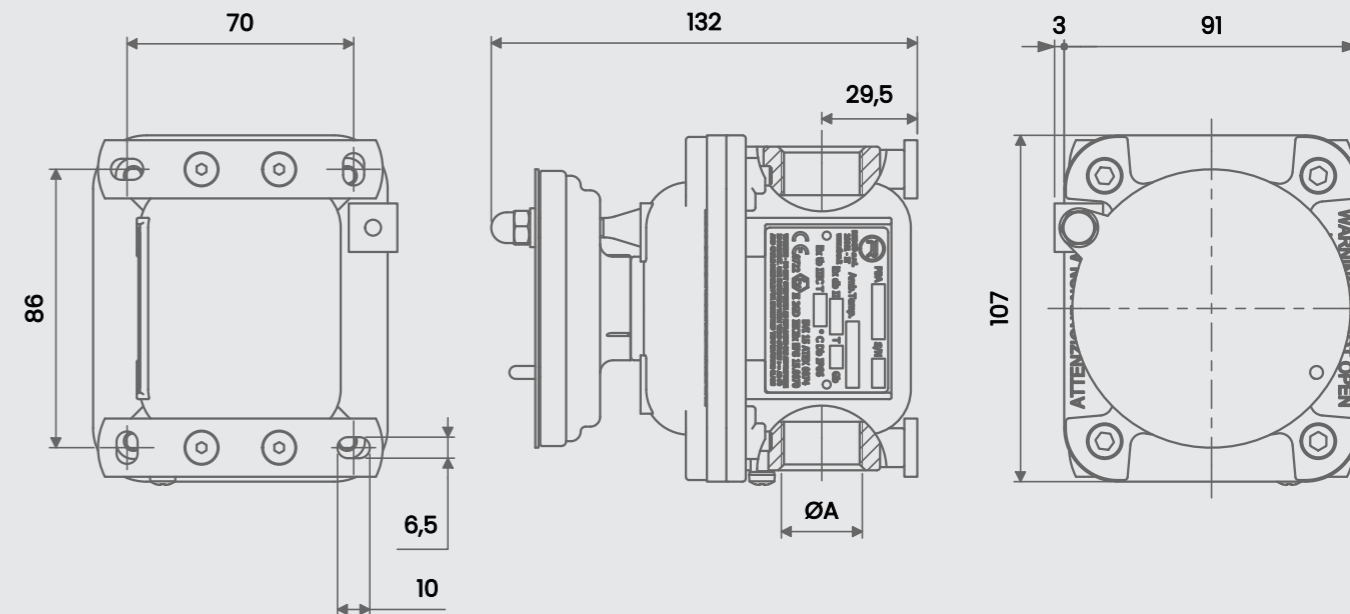


MILANO - ITALY

www.antideflagranti.com

PBA EIG

Emergency pushbutton station with breaking glass and stainless steel protection guard. Manual activation of the pushbutton.



Features

Material used: aluminium low copper grade

Max ambient temperature: -50°C up to 80°C

NPT thread: 3/4" NPT

ISO 262 thread: M25x1.5

Degree of protection: IP66

Max rated voltage: 690Vac/440Vdc

AC1 max current value: 10A
AC15 max current value: 4A
Cable section: 1,5 ÷ 2,5 mmq
Nominal frequency: 50/60Hz
External painting: red RAL3000

ORDER CODING

Code	Button color	Electrical contacts		
PBA251-EIG	BK ●	01 - 1 NC	10 - 1 NO	11 - 1 NC + 1 NO
	BU ●			
	YE ●			
	RD ●			
	GN ●			
	WH ○			
PBA21-EIG		02 - 2 NC	20 - 2 NO	12 - 1 NO + 2 NC
		03 - 3 NC	30 - 3 NO	21 - 2 NO + 1 NC

ATEX & IECEx Equipment Data

Gas	Group I Zone 1	Ex db IIB T6 Gb
Dust	Group II Zone 21	Ex tb IIIC T85°C Db IP66
		Tamb: -20°C ÷ +40°C

ATEX Certificate

BVI 15 ATEX 0074

IECEx Certificate

IECEx EPS 15.0070

DISTRIBUITO DA- DISTRIBUTED BY



GCE SRL

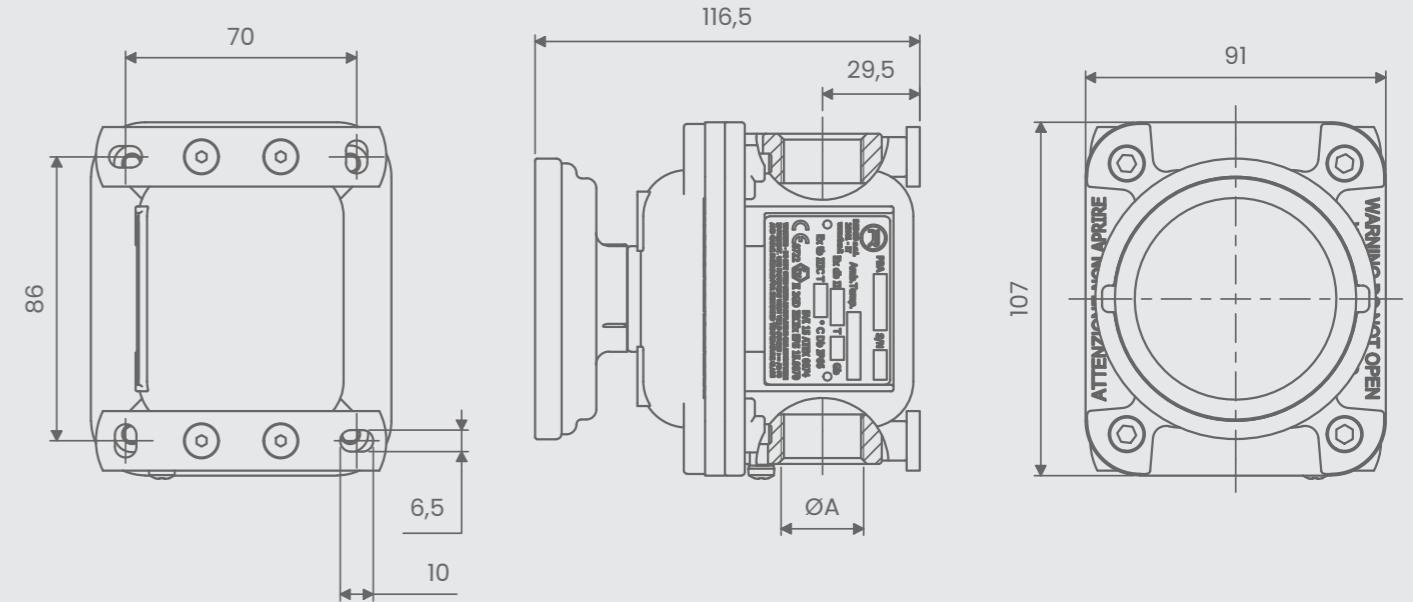


MILANO - ITALY

www.antideflagranti.com

PBA EIL

Emergency lighting pushbutton station with breaking glass.
Manual activation of the pushbutton.



Features

Material used: aluminium low copper grade

Max ambient temperature: -50°C up to 80°C

NPT thread: 3/4 " NPT

ISO 262 thread: M25x1.5

Degree of protection: IP66

Max rated voltage: 690Vac/440Vdc

AC1 max current value: 10A

AC15 max current value: 4A

Cable section: 1,5 ÷ 2,5 mmq

Nominal frequency: 50/60Hz

External painting: red RAL3000

ORDER CODING

Code	Button color	Electrical contacts		
PBA251-EIL	BK ●	01 - 1 NC	10 - 1 NO	11 - 1 NC + 1 NO
PBA21-EIL	BU ●	+	02 - 2 NC	20 - 2 NO
	YE ●			
	RD ●			
	GN ●			
	WH ○	03 - 3 NC	30 - 3 NO	21 - 2 NO + 1 NC

ATEX & IECEx Equipment Data

Gas	Group I Zone 1	Ex db IIB T6 Gb
Dust	Group II Zone 21	Ex tb IIIC T85°C Db IP66
		Tamb: -20°C ÷ +40°C

ATEX Certificate

BVI 15 ATEX 0074

IECEx Certificate

IECEx EPS 15.0070

DISTRIBUITO DA- DISTRIBUTED BY



GCE SRL

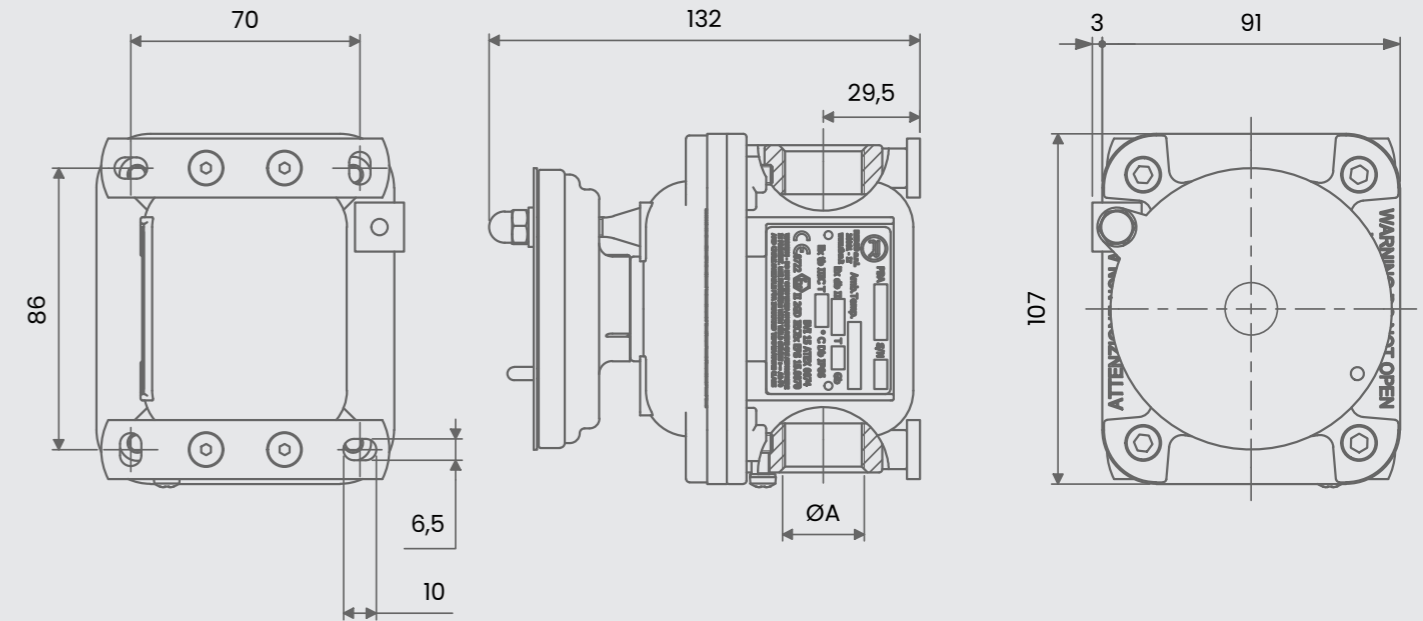


MILANO - ITALY

www.antideflagranti.com

PBA EILG

Emergency lighting pushbutton station with breaking glass and steel protection guard.
Manual activation of the pushbutton.



Features

Material used: alluminium low copper grade

Max ambient temperature: -50°C up to 80°C

NPT thread: 3/4 " NPT

ISO 262 thread: M25x1,5

Degree of protection: IP66

Max rated voltage: 690Vac/440Vdc

AC1 max current value: 10A

AC15 max current value: 4A

Cable section: 1,5 ÷ 2,5 mmq

Nominal frequency: 50/60Hz

External painting: red RAL3000

ORDER CODING

Code	Button color	Electrical contacts		
PBA251-EILG	BK ●	01 - 1 NC	10 - 1 NO	11 - 1 NC + 1 NO
	BU ●			
	YE ●			
	RD ●			
	GN ●			
	WH ○			
PBA21-EILG		02 - 2 NC	20 - 2 NO	12 - 1 NO + 2 NC
		03 - 3 NC	30 - 3 NO	21 - 2 NO + 1 NC

ATEX & IECEx Equipment Data

Gas	Group I Zone 1	Ex db IIB T6 Gb
Dust	Group II Zone 21	Ex tb IIIC T85°C Db IP66
		Tamb: -20°C ÷ +40°C

ATEX Certificate

BVI 15 ATEX 0074

IECEx Certificate

IECEx EPS 15.0070

DISTRIBUITO DA- DISTRIBUTED BY

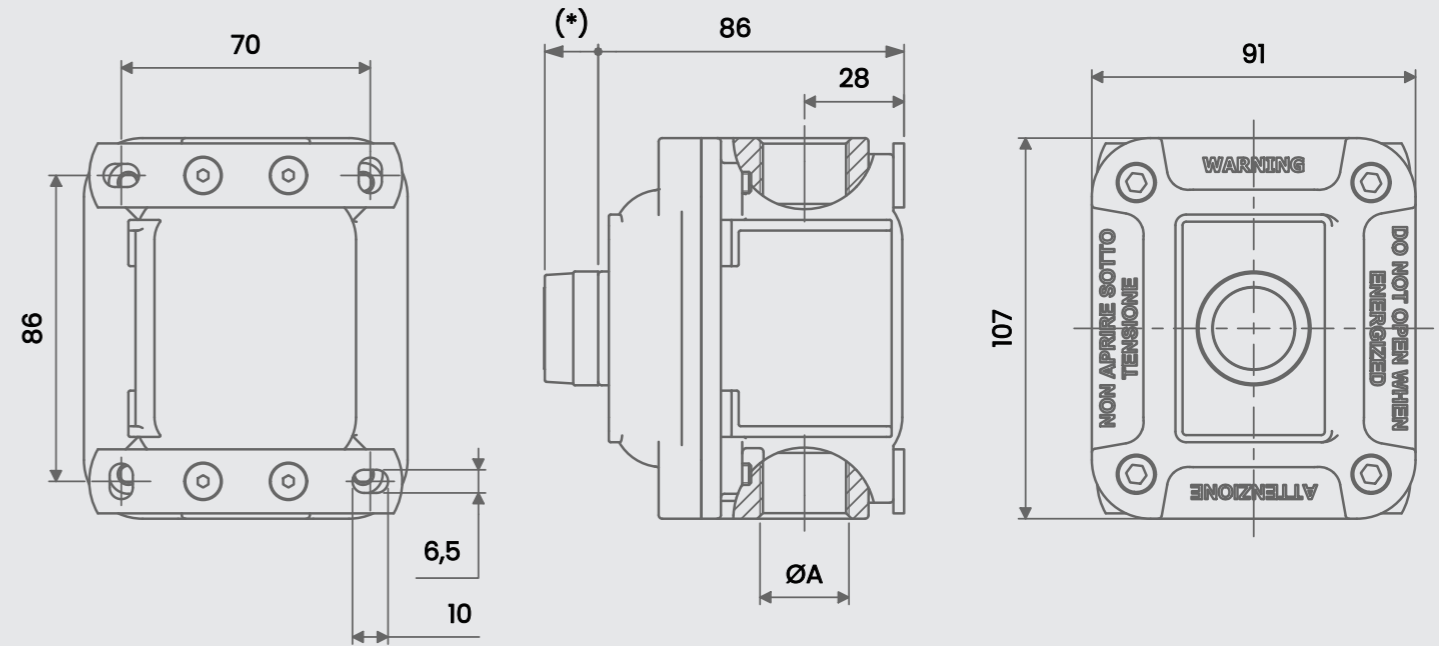


MILANO - ITALY

www.antideflagranti.com

PBS 21 / 251

Pushbutton and control station with one unit. Totally made in Stainless Steel 316L
The equipment can install different type of units like pushbutton or signalling units.



Features

Material used: Stainless Steel AISI 316L

Max ambient temperature: -50°C up to 80°C

NPT thread: 3/4 NPT

ISO 262 thread: M25x1.5

Degree of protection: IP66

Max rated voltage: 690Vac/440Vdc

AC1 max current value: 10A

AC15 max current value: 4A

Cable section: 1,5 ÷ 2,5 mmq

Nominal frequency: 50/60Hz

External painting: no painting

Code	ØA
PBS251	M25x1.5 - 6H
PBS21	3/4" NPT

(*) Length of unit may vary

ATEX & IECEx Equipment Data

Gas	Group I Zone 1	Ex db I Mb Ex db IIB T6 Gb
Dust	Group II Zone 21	Ex tb IIIC T85°C Db IP66
		Tamb: -20°C ÷ +40°C

ATEX Certificate	IECEx Certificate
BVI 15 ATEX 0074	IECEx EPS 15.0070

DISTRIBUITO DA- DISTRIBUTED BY



GCE SRL

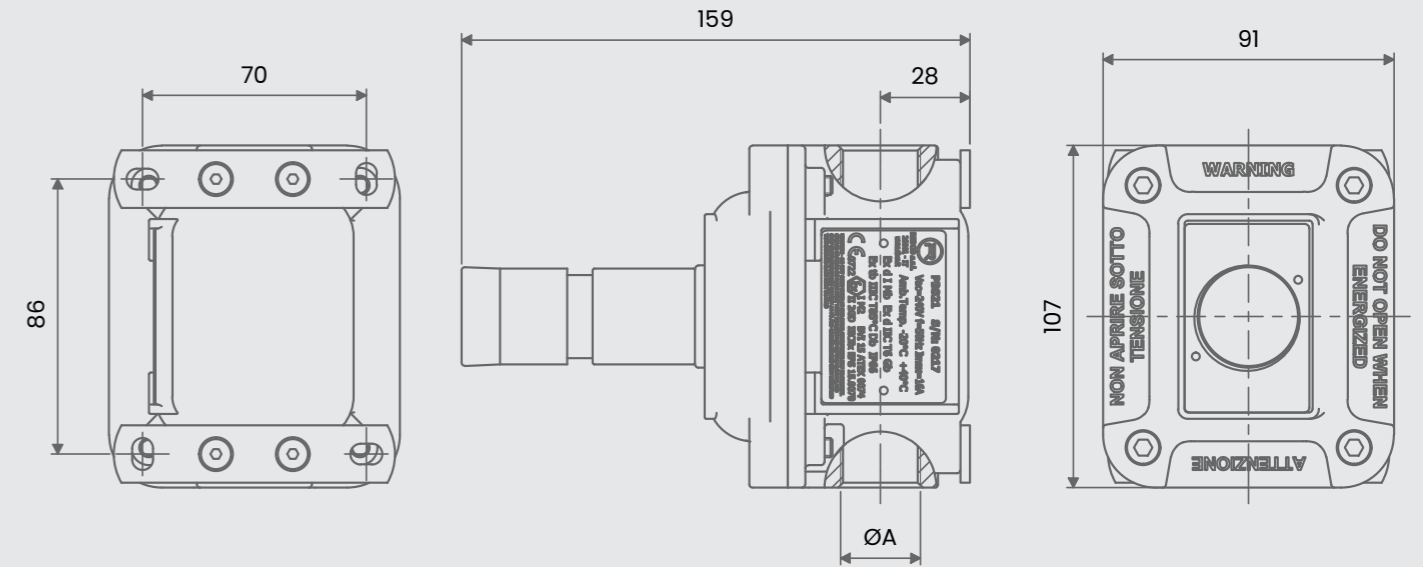


MILANO - ITALY

www.antideflagrante.com

PBS 1 EFP

Pushbutton with emergency mushroom with pull release.
Totally made in Stainless Steel 316L.



Features

Material used: Stainless Steel AISI 316L

Max ambient temperature: -50°C up to 80°C

NPT thread: 3/4 NPT

ISO 262 thread: M25x1.5

Degree of protection: IP66

Max rated voltage: 690Vac/440Vdc

AC1 max current value: 10A

AC15 max current value: 4A

Cable section: 1,5 ÷ 2,5 mmq

Nominal frequency: 50/60Hz

External painting: no painting

Code	ØA
PBS251-EFP3RD	M25x1.5 - 6H
PBS21-EFP3RD	3/4" NPT

ATEX & IECEx Equipment Data		
Gas	Group I Zone 1	Ex db I Mb Ex db IIB T6 Gb
Dust	Group II Zone 21	Ex tb IIIC T85°C Db IP66
Tamb: -20°C ÷ +40°C		
ATEX Certificate		IECEx Certificate
BVI 15 ATEX 0074		IECEx EPS 15.0070

DISTRIBUITO DA- DISTRIBUTED BY



GCE SRL

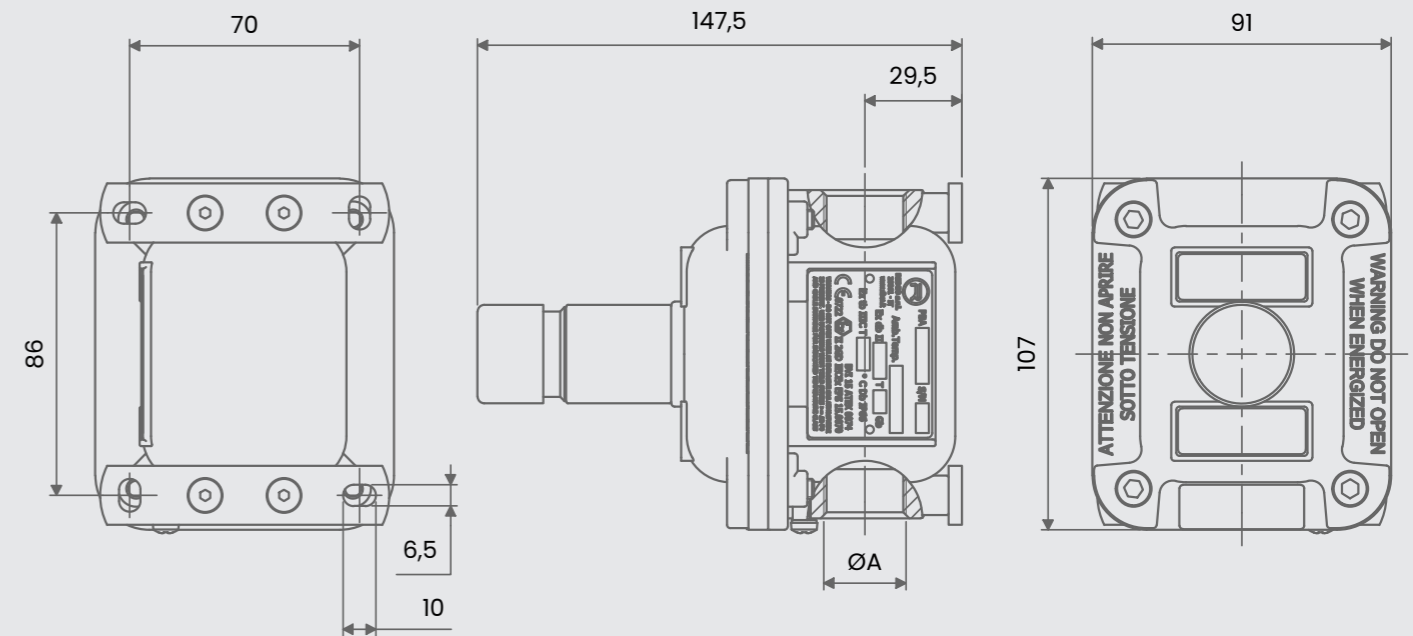


MILANO - ITALY

www.antideflagrante.com

PBS 1 EFR

Pushbutton with emergency mushroom with rotary release.
Totally made in Stainless Steel 316L.



Features

Material used: Stainless Steel AISI 316L

Max ambient temperature: -50°C up to 80°C

NPT thread: 3/4 NPT

ISO 262 thread: M25x1.5

Degree of protection: IP66

Max rated voltage: 690Vac/440Vdc

AC1 max current value: 10A

AC15 max current value: 4A

Cable section: 1,5 ÷ 2,5 mmq

Nominal frequency: 50/60Hz

External painting: no painting

Code	ØA
PBS251-EFR3RD	M25x1.5 - 6H
PBS21-EFR3RD	3/4" NPT

ATEX & IECEx Equipment Data

Gas	Group I Zone 1	Ex db I Mb Ex db IIB T6 Gb
Dust	Group II Zone 21	Ex tb IIIC T85°C Db IP66
		Tamb: -20°C ÷ +40°C

ATEX Certificate	IECEx Certificate
BVI 15 ATEX 0074	IECEx EPS 15.0070

DISTRIBUITO DA- DISTRIBUTED BY



GCE SRL



MILANO - ITALY

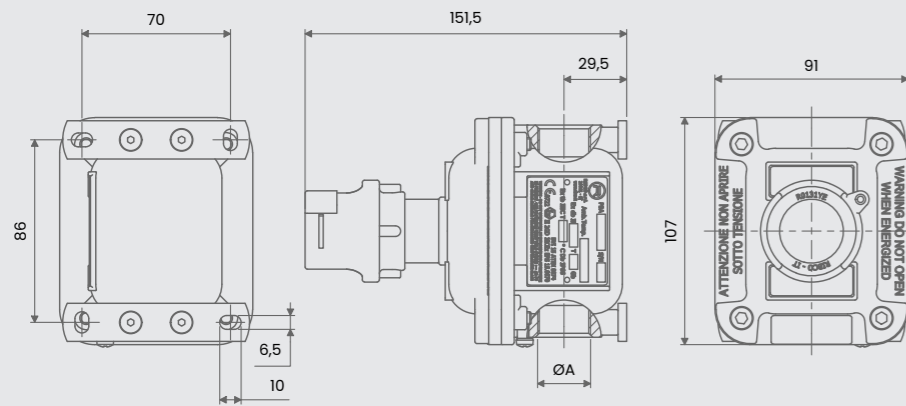
www.antideflagrante.com

EMERGENCY PUSHBUTTON - INOX 316L

PBS EFR - Options Available

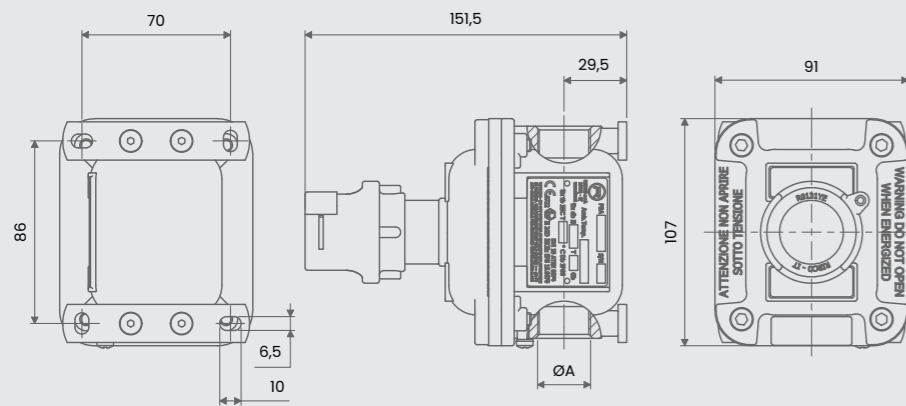
- With protection guard.

Code	ØA
PBS251-EFR3GR	M25x1.5 - 6H
PBS21-EFR3GR	3/4" NPT



- With protection guard and lockable bracket

Code	ØA
PBS251-EFR3GL	M25x1.5 - 6H
PBS21-EFR3GL	3/4" NPT



DISTRIBUITO DA- DISTRIBUTED BY



GCE SRL

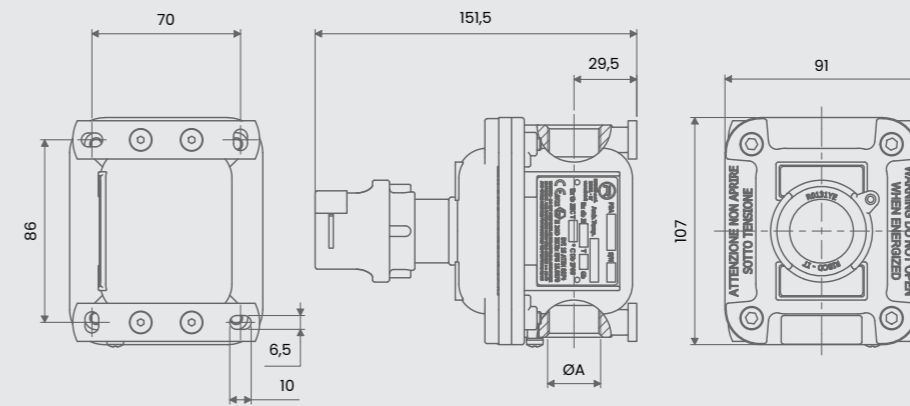


MILANO - ITALY

www.antideflagranti.gce.com

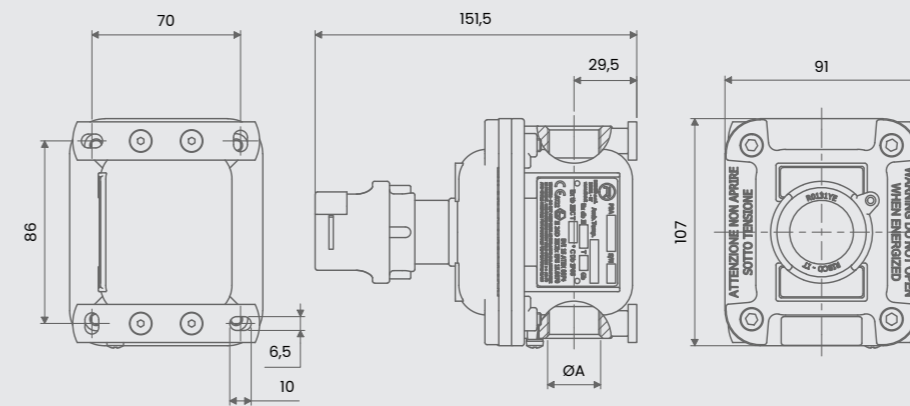
- With protection guard and rotary plate

Code	ØA
PBS251-EFR3GP	M25x1.5 - 6H
PBS21-EFR3GP	3/4" NPT



- With protection guard, rotary plate and lockable bracket

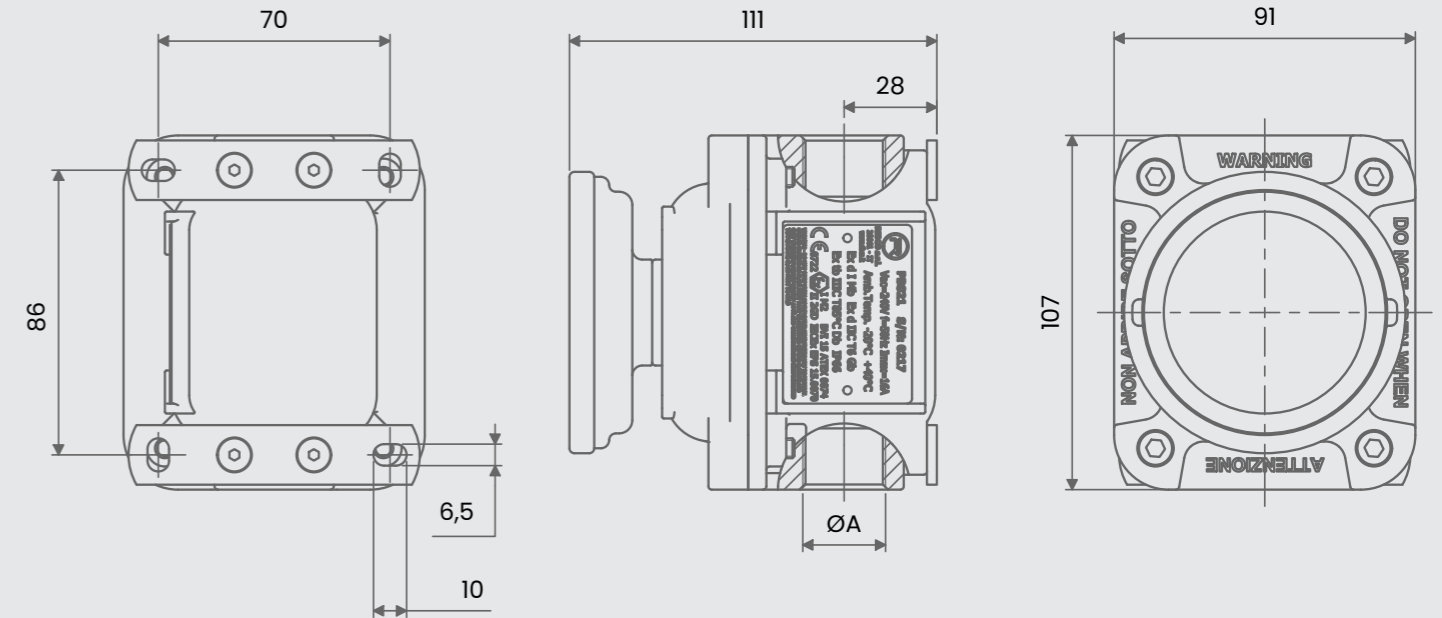
Code	ØA
PBS251-EFR3GP	M25x1.5 - 6H
PBS21-EFR3GP	3/4" NPT



comm@antideflagranti.gce.com

PBS E0

Emergency pushbutton station with breaking glass. Automatic release of the pushbutton. Totally made in Stainless Steel 316L.



Features

Material used: Stainless Steel AISI 316L

Max ambient temperature: -50°C up to 80°C

NPT thread: 3/4 NPT

ISO 262 thread: M25x1.5

Degree of protection: IP66

Max rated voltage: 690Vac/440Vdc

AC1 max current value: 10A

AC15 max current value: 4A

Cable section: 1,5 ÷ 2,5 mmq

Nominal frequency: 50/60Hz

External painting: red RAL300

Code	ØA
PBS251-E0	M25x1.5 - 6H
PBS21-E0	3/4" NPT

ATEX & IECEx Equipment Data

Gas	Group I Zone 1	Ex db I Mb Ex db IIB T6 Gb
Dust	Group II Zone 21	Ex tb IIIC T85°C Db IP66
		Tamb: -20°C ÷ +40°C

ATEX Certificate	IECEx Certificate
BVI 15 ATEX 0074	IECEx EPS 15.0070

DISTRIBUITO DA- DISTRIBUTED BY



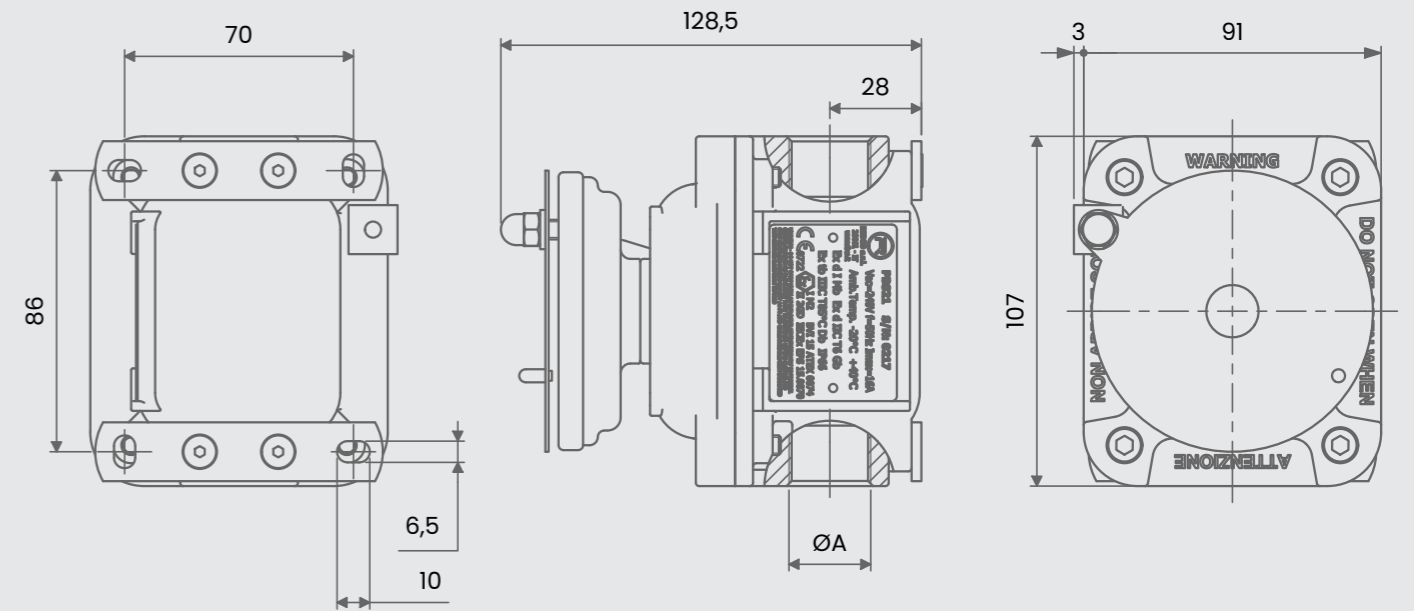
GCE SRL



MILANO - ITALY
www.antideflagranti.com

PBS EOG

Emergency pushbutton station with breaking glass and steel protection guard.
Automatic release of the pushbutton.
Totally made in Stainless Steel 316L.



Features

Material used: Stainless Steel AISI 316L

Max ambient temperature: -50°C up to 80°C

NPT thread: 3/4 NPT

ISO 262 thread: M25x1.5

Degree of protection: IP66

Max rated voltage: 690Vac/440Vdc

AC1 max current value: 10A

AC15 max current value: 4A

Cable section: 1,5 ÷ 2,5 mmq

Nominal frequency: 50/60Hz

External painting: red RAL300

Code	ØA
PBS251-EOG	M25x1.5 - 6H
PBS21-EOG	3/4" NPT

ATEX & IECEx Equipment Data		
Gas	Group I Zone 1	Ex db I Mb Ex db IIB T6 Gb
Dust	Group II Zone 21	Ex tb IIIC T85°C Db IP66
		Tamb: -20°C ÷ +40°C
ATEX Certificate		IECEx Certificate
BVI 15 ATEX 0074		IECEx EPS 15.0070

DISTRIBUITO DA- DISTRIBUTED BY



GCE SRL

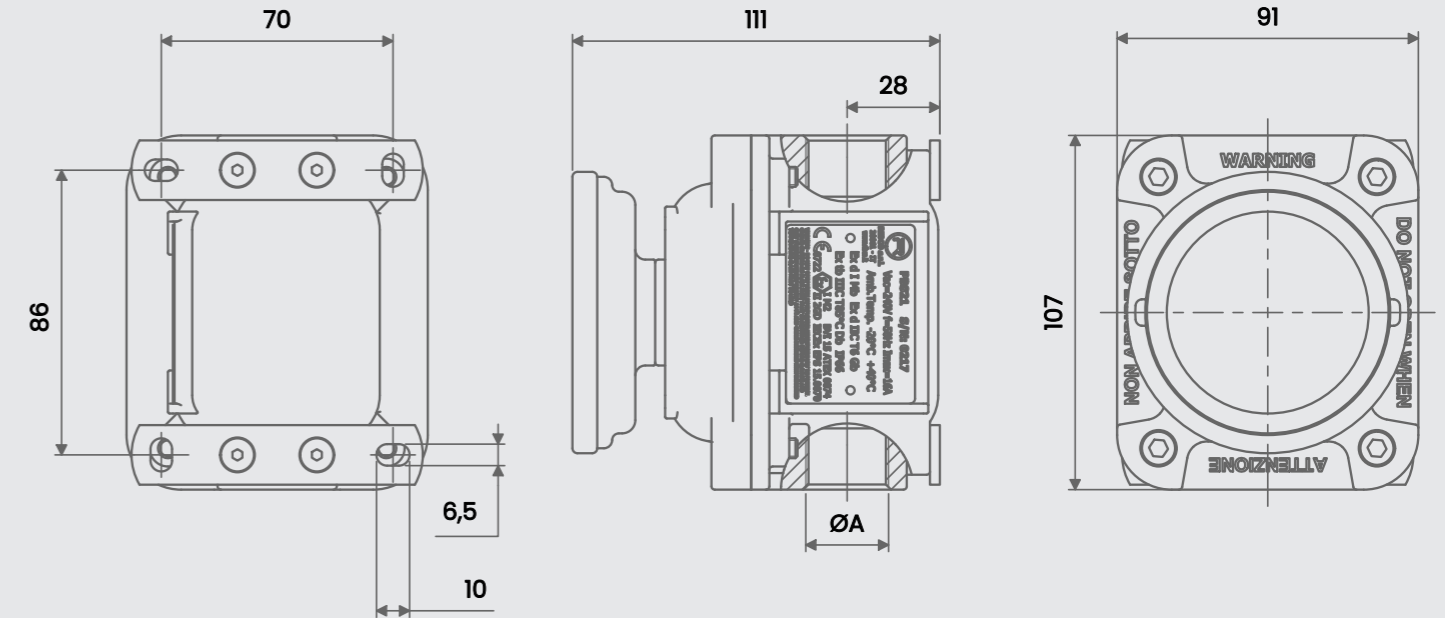


MILANO - ITALY

www.antideflagranti.com

PBS EOL

Emergency lightin pushbutton station with breaking glass.
Automatic release of the pushbutton.
Totally made in Stainless Steel 316L.



Features

Material used: Stainless Steel AISI 316L

Max ambient temperature: -50°C up to 80°C

NPT thread: 3/4 NPT

ISO 262 thread: M25x1.5

Degree of protection: IP66

Max rated voltage: 690Vac/440Vdc

AC1 max current value: 10A

AC15 max current value: 4A

Cable section: 1,5 ÷ 2,5 mmq

Nominal frequency: 50/60Hz

External painting: red RAL300

Code	ØA
PBS251-EOL	M25x1.5 - 6H
PBS21-EOL	3/4" NPT

ATEX & IECEx Equipment Data

Gas	Group I Zone 1	Ex db I Mb Ex db IIB T6 Gb
Dust	Group II Zone 21	Ex tb IIIC T85°C Db IP66
		Tamb: -20°C ÷ +40°C

ATEX Certificate	IECEx Certificate
BVI 15 ATEX 0074	IECEx EPS 15.0070

DISTRIBUITO DA- DISTRIBUTED BY



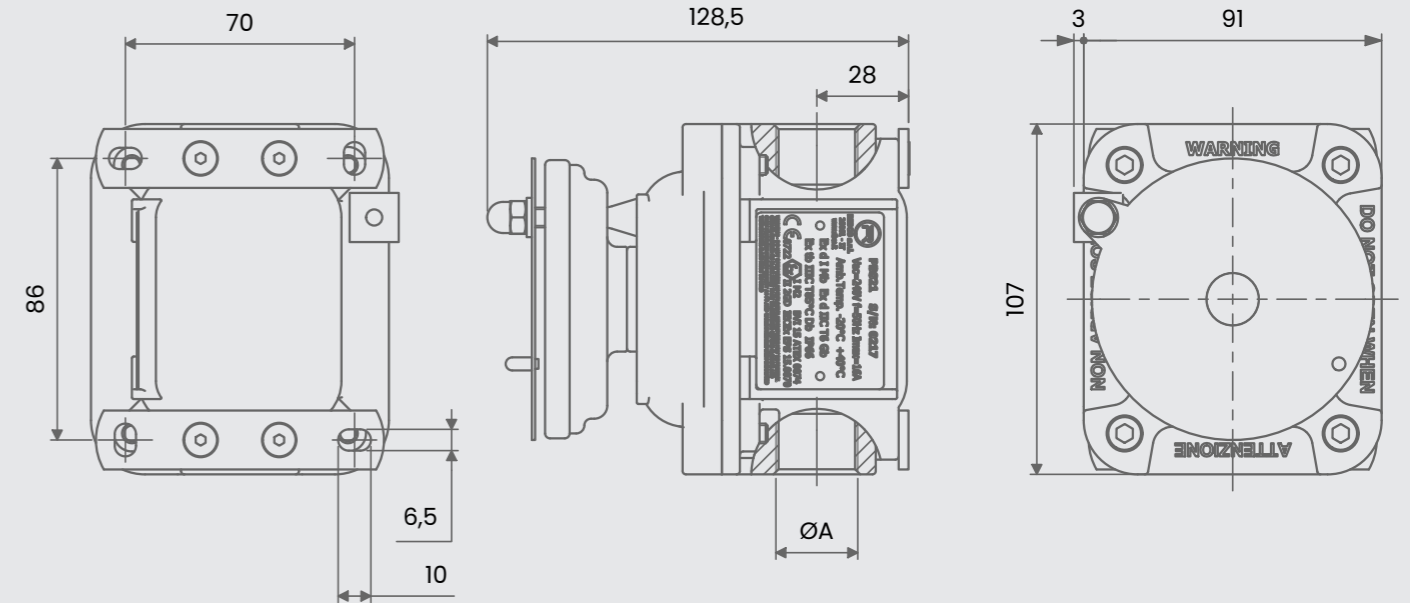
GCE SRL



MILANO - ITALY
www.antideflagranti.com

PBS E0LG

Emergency lighting pushbutton station with breaking glass and steel protection guard.
Automatic release of the pushbutton.
Totally made in Stainless Steel 316L.



Features

Material used: Stainless Steel AISI 316L

Max ambient temperature: -50°C up to 80°C

NPT thread: 3/4 NPT

ISO 262 thread: M25x1.5

Degree of protection: IP66

Max rated voltage: 690Vac/440Vdc

AC1 max current value: 10A

AC15 max current value: 4A

Cable section: 1,5 ÷ 2,5 mmq

Nominal frequency: 50/60Hz

External painting: red RAL300

Code	ØA
PBS251-E0LG	M25x1.5 - 6H
PBS21-E0LG	3/4" NPT

ATEX & IECEx Equipment Data		
Gas	Group I Zone 1	Ex db I Mb Ex db IIB T6 Gb
Dust	Group II Zone 21	Ex tb IIIC T85°C Db IP66
		Tamb: -20°C ÷ +40°C
ATEX Certificate		IECEx Certificate
BVI 15 ATEX 0074		IECEx EPS 15.0070

DISTRIBUITO DA- DISTRIBUTED BY



GCE SRL

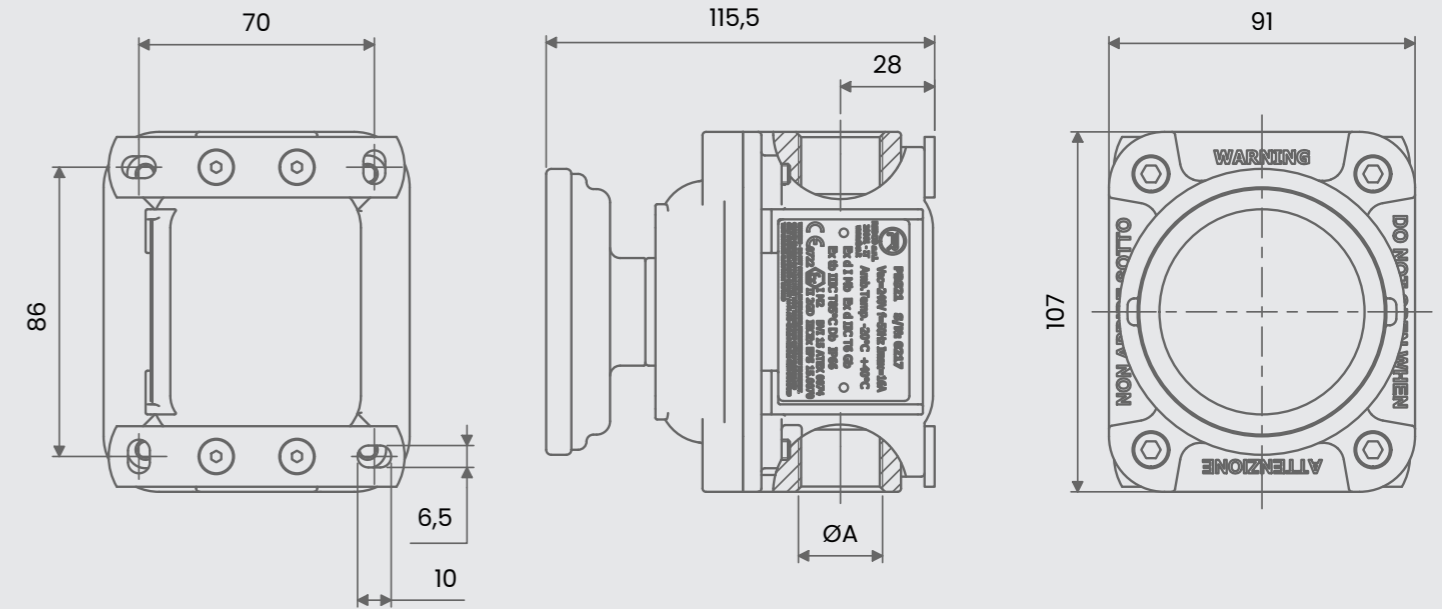


MILANO - ITALY

www.antideflagranti.com

PBS E1

Emergency pushbutton station with breaking glass. Manual activation of the pushbutton. Totally made in Stainless Steel 316L.



Features

Material used: Stainless Steel AISI 316L

Max ambient temperature: -50°C up to 80°C

NPT thread: 3/4 NPT

ISO 262 thread: M25x1,5

Degree of protection: IP66

Max rated voltage: 690Vac/440Vdc

AC1 max current value: 10A

AC15 max current value: 4A

Cable section: 1,5 ÷ 2,5 mmq

Nominal frequency: 50/60Hz

External painting: red RAL300

Code	ØA
PBS251-E1	M25x1.5 - 6H
PBS21-E1	3/4" NPT

ATEX & IECEx Equipment Data		
Gas	Group I Zone 1	Ex db I Mb Ex db IIB T6 Gb
Dust	Group II Zone 21	Ex tb IIIC T85°C Db IP66
		Tamb: -20°C ÷ +40°C
ATEX Certificate		IECEx Certificate
BVI 15 ATEX 0074		IECEx EPS 15.0070

DISTRIBUITO DA- DISTRIBUTED BY

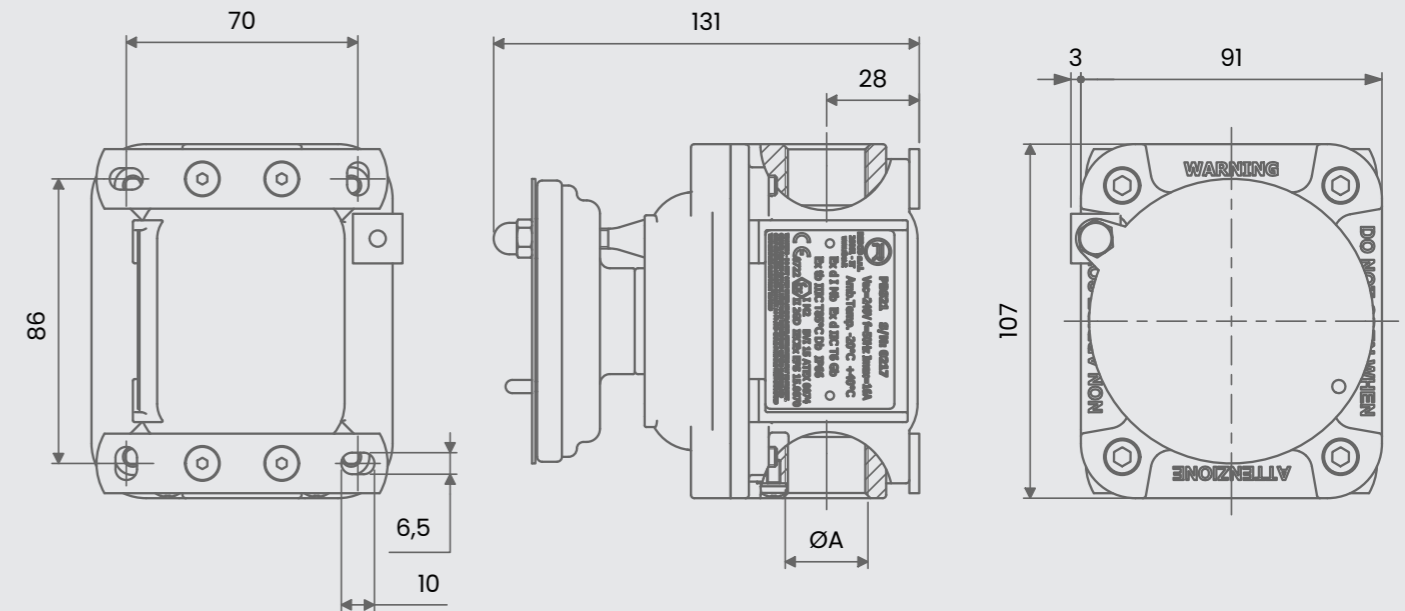


MILANO - ITALY

www.antideflagrantiGCE.com

PBS EIG

Emergency pushbutton station with breaking glass and stainless steel protection guard.
Manual activation of the pushbutton.
Totally made in Stainless Steel 316L.



Features

Material used: Stainless Steel AISI 316L

Max ambient temperature: -50°C up to 80°C

NPT thread: 3/4 NPT

ISO 262 thread: M25x1.5

Degree of protection: IP66

Max rated voltage: 690Vac/440Vdc

AC1 max current value: 10A

AC15 max current value: 4A

Cable section: 1,5 ÷ 2,5 mmq

Nominal frequency: 50/60Hz

External painting: red RAL300

Code	ØA
PBS251-EIG	M25x1.5 - 6H
PBS21-EIG	3/4" NPT

ATEX & IECEx Equipment Data

Gas	Group I Zone 1	Ex db I Mb Ex db IIB T6 Gb
Dust	Group II Zone 21	Ex tb IIIC T85°C Db IP66 Tamb: -20°C ÷ +40°C

ATEX Certificate	IECEx Certificate
BVI 15 ATEX 0074	IECEx EPS 15.0070

DISTRIBUITO DA- DISTRIBUTED BY



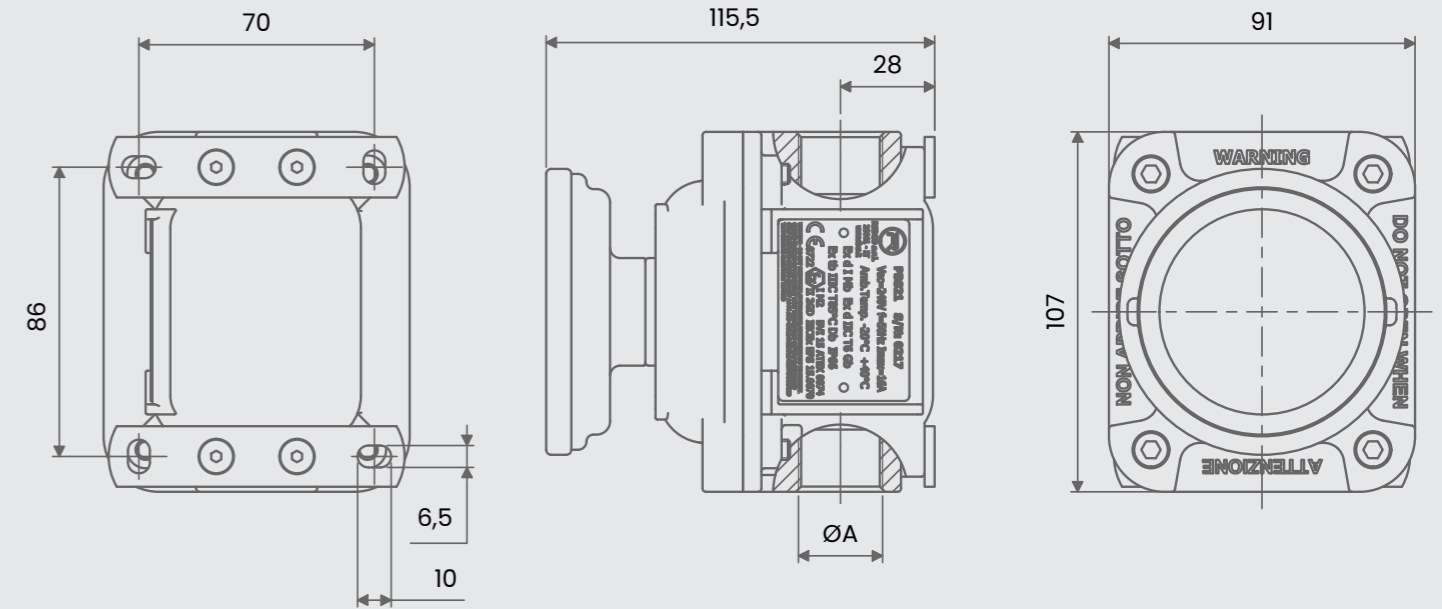
GCE SRL



MILANO - ITALY
www.antideflagranti.com

PBS EIL

Emergency lighting pushbutton station with breaking glass.
Manual activation of the pushbutton.
Totally made in Stainless Steel 316L.



Features

- Material used:** Stainless Steel AISI 316L
- Max ambient temperature:** -50°C up to 80°C
- NPT thread:** 3/4 NPT
- ISO 262 thread:** M25x1,5
- Degree of protection:** IP66
- Max rated voltage:** 690Vac/440Vdc
- AC1 max current value:** 10A
- AC15 max current value:** 4A
- Cable section:** 1,5 ÷ 2,5 mmq
- Nominal frequency:** 50/60Hz
- External painting:** red RAL300

Code	ØA
PBS251-EIL	M25x1.5 - 6H
PBS21-EIL	3/4" NPT

ATEX & IECEx Equipment Data		
Gas	Group I Zone 1	Ex db I Mb Ex db IIB T6 Gb
Dust	Group II Zone 21	Ex tb IIIC T85°C Db IP66
		Tamb: -20°C ÷ +40°C
ATEX Certificate		IECEx Certificate
BVI 15 ATEX 0074		IECEx EPS 15.0070

DISTRIBUITO DA- DISTRIBUTED BY



GCE SRL

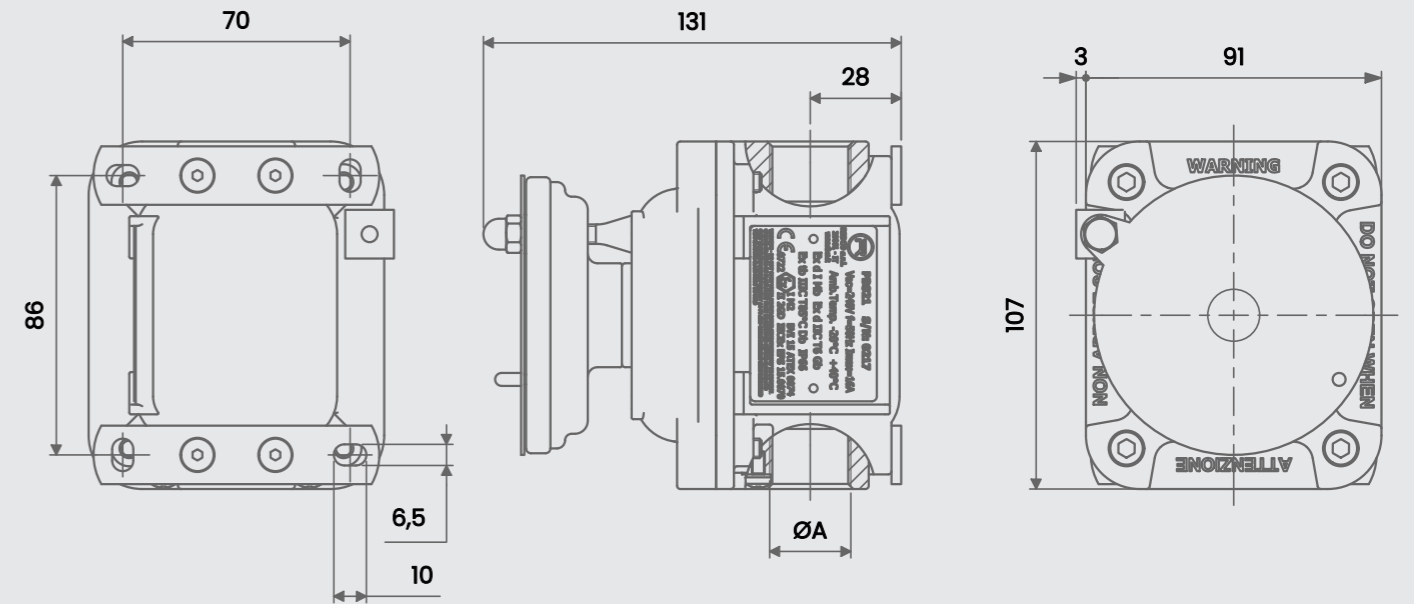
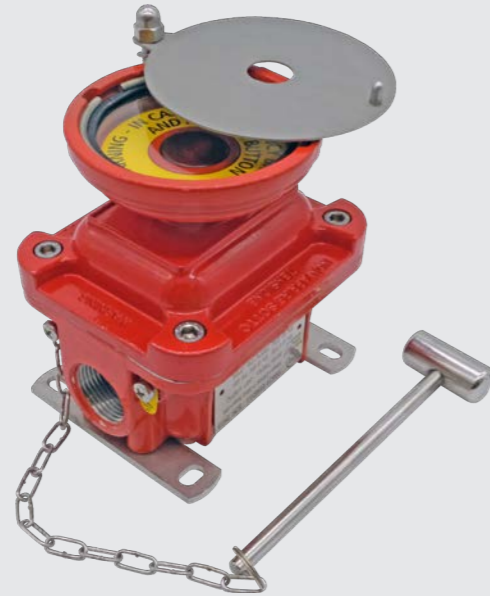


MILANO - ITALY

www.antideflagranti.com

PBS EILG

Emergency lighting pushbutton station with breaking glass and protection guard.
 Manual activation of the pushbutton.
 Totally made in Stainless Steel 316L.



Features

- Material used:** Stainless Steel AISI 316L
- Max ambient temperature:** -50°C up to 80°C
- NPT thread:** 3/4 NPT
- ISO 262 thread:** M25x1.5
- Degree of protection:** IP66
- Max rated voltage:** 690Vac/440Vdc
- AC1 max current value:** 10A
- AC15 max current value:** 4A
- Cable section:** 1,5 ÷ 2,5 mmq
- Nominal frequency:** 50/60Hz
- External painting:** red RAL300

Code	ØA
PBS251-EILG	M25x1.5 - 6H
PBS21-EILG	3/4" NPT

ATEX & IECEx Equipment Data		
Gas	Group I Zone 1	Ex db I Mb Ex db IIB T6 Gb
Dust	Group II Zone 21	Ex tb IIIC T85°C Db IP66
		Tamb: -20°C ÷ +40°C
ATEX Certificate		IECEx Certificate
BVI 15 ATEX 0074		IECEx EPS 15.0070

DISTRIBUITO DA- DISTRIBUTED BY



GCE SRL



MILANO - ITALY

www.antideflagranti.com