

# STREETEX Series LED street lighting fixtures



STREETEX series LED lighting fixtures are suitable for outdoor and perimeter street lighting of industrial areas, especially for the chemical and petrochemical, on-shore and off-shore sectors as it is certified for installation in Zone 1, 2, 21, 22 and in accordance with Directive 2014/34/EU. An essential feature for road safety, STREETEX street lighting fixtures provide the lighting needed to ensure adequate visibility during night time or low-light conditions in all those areas where low- and medium-power discharge lighting fixtures were generally installed.

The STREETEX series is available in two sizes and features a finned body, made of aluminium alloy that acts as an excellent heat sink. Designed following the specific requirements of street lighting, STREETEX can be supplied in versions with direct horizontal/vertical pole mount or with a mounting bracket and cable gland. Different types of optics can also be installed directly on the LED plate. Optics is a crucial part of street lighting as it determines the direction of light on the road surface according to different requirements: light concentrated in a specific direction or evenly diffused light.

Efficient and functional especially in terms of installation and maintenance operations, STREETEX street lighting fixtures stand out for their exceptional energy efficiency in addition to a substantial reduction in product maintenance.

## Sectors of application:



Petroleum refineries



Chemical and petrochemical facilities



Anti-light pollution



Offshore facilities



Onshore facilities



Perimeter zone lighting



Petroleum loading/unloading pontoons

## CERTIFICATE DATA

<b>Classification:</b>	<b>Group II</b>	<b>Category 2GD/3G</b>	
<b>Installation:</b> EN 60079.14	<b>zone 1, 2, 21, 22</b> <i>STREETEX-ME</i>	<b>zone 2, 21, 22</b> <i>STREETEX-MN</i>	
<b>Marking:</b>	CE 0722 Ex II 2GD - Ex eb mb IIC T.. Gb - Ex tb IIIC T.. °C Db - IP66		<i>STREETEX-ME</i>
	CE Ex II 3G - Ex nR IIC T.. Gc		<i>STREETEX-MN</i>
<b>Certificate:</b>	<b>ATEX</b>	<b>CML 23 ATEX 3195X</b>	<i>STREETEX-ME</i>
	<b>ATEX</b>	<b>CML 23 ATEX 4196X</b>	<i>STREETEX-MN</i>
	<b>IEC Ex</b>	<b>CML 23.0069X</b>	For all certification data IEC Ex, contact <a href="mailto:comm@antideflagrante.com">comm@antideflagrante.com</a>
	<b>UKEX</b>	<b>AVAILABLE</b>	
<b>Standards:</b>	CENELEC EN60079-0: 2018, EN60079-7: 2015+A1:2018, EN60079-31: 2014, EN60079-18: 2015+A1:2017/2019 and EUROPEAN DIRECTIVE 2014/34/UE. IEC60079-0: 2017, IEC60079-7: 2017, IEC60079-15: 2017, IEC 60079-18: 2017, IEC60079-31: 2013		
<b>Temperature class:</b>	For all permitted ambient temperature classes, please see the "Selection tables"		
<b>Temp. Temperature:</b>	-55°C +60°C ( <i>STREETEX-ME</i> ) -60°C +60°C ( <i>STREETEX-MN</i> )	For all permitted ambient temperature ranges, please see the "Selection tables"	
<b>Degree of protection:</b>	<b>IP66</b>		

[comm@antideflagrante.com](mailto:comm@antideflagrante.com)



For more information on electrical connectors see link:

[www.antideflagrante.com](http://www.antideflagrante.com)

or contact

[comm@antideflagrante.com](mailto:comm@antideflagrante.com)



**ORIGINAL PRODUCT**



NO PHOTOBIOLOGICAL RISK  
(IEC / EN 62471 STANDARD)

## MECHANICAL FEATURES

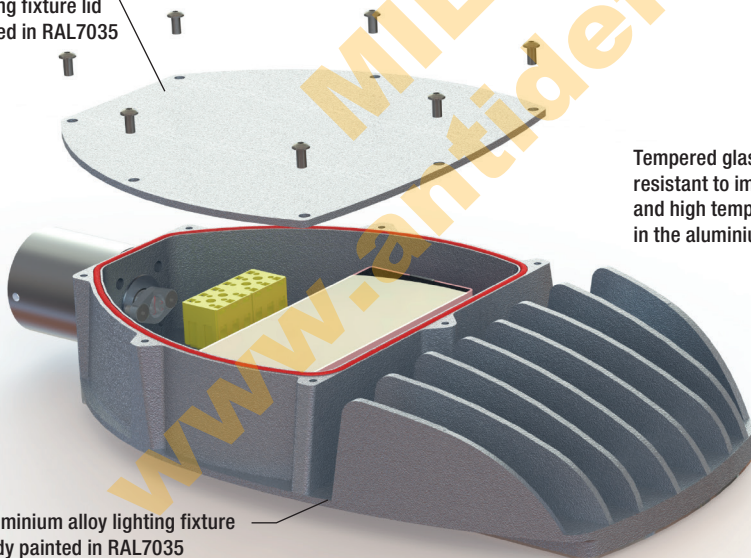
<b>Body:</b>	Aluminium alloy with low copper content. With cooling fins for efficient heat dissipation
<b>Front glass:</b>	Tempered glass, resistant to high temperatures and shocks
<b>Gaskets:</b>	Silicone resistant to acids, hydrocarbons and high temperatures
<b>Fastening bracket:</b>	Galvanized steel
<b>Screws:</b>	Stainless steel
<b>Entry points:</b>	1 entry point Ø1 1/2" for version with direct pole mount 1 entry point M20 complete with NAV20IB cable gland for version with mounting bracket
<b>Coating:</b>	Polyester RAL 7035 (Light grey)
<b>Corrosion Resistance:</b>	The STANDARD of the aluminium alloy used by manufacturer has passed the tests required by the Standard EN60068-2-30 (hot-humid cycles) and EN60068-2-11 (salt fog test)

## ACCESSORIES ON REQUEST / SPECIAL REQUESTS

Poles with different diameters and lengths complete with junction box attached to pole base  
Lighting fixture fastening bracket in AISI 304 or AISI 316L steel

### STREETEX-.-080.. LIGHTING FIXTURE IN DETAIL

Aluminium alloy lighting fixture lid painted in RAL7035



Aluminium alloy lighting fixture body painted in RAL7035  
Internally they house:  
Connection terminals L, N, PE  
Cross-section max. 4mm<sup>2</sup>.  
Resin electronic power unit in accordance with EN/IEC 60079-0 and EN/IEC 60079-18

LED board

Tempered glass, resistant to impacts and high temperatures in the aluminium body

Cable gland NAV20IB

Galvanized steel fastening brackets

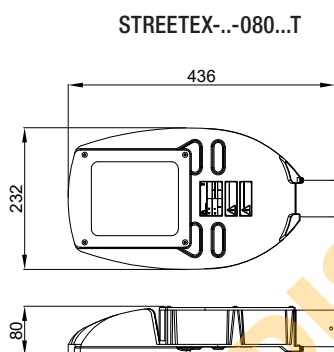




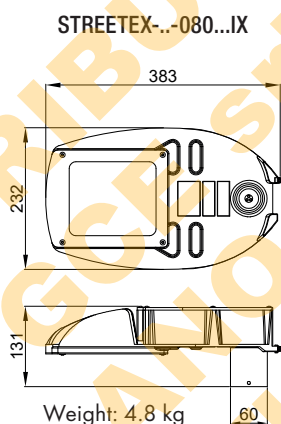
## STREETEX series selection table

Code	Real power Watt	Rated power Watt	Temperature class / Maximum surface temperature				Lumen lm	Light intensity cd	Overall efficiency Lm/W	
			TA=+40°C	TA=+50°C	TA=+55°C	TA=+60°C				
<b>Zone 1, 2, 21, 22</b>	STREETEX-ME-080025...	26	25	T5/93°C	T4/103°C	T4/108°C	T4/113°C	3432	1079	132
	STREETEX-ME-080050...	52	50	T5/93°C	T4/103°C	T4/108°C	T4/113°C	6865	2159	132
	STREETEX-ME-080075...	78	75	T5/93°C	T4/103°C	T4/108°C	T4/113°C	10300	3238	132
	STREETEX-ME-080100...	95	100	T5/93°C	T4/103°C	T4/108°C	T4/113°C	12480	3973	131
	STREETEX-ME-100200...	194	200	T5/92°C	T4/102°C	T4/107°C	T4/112°C	24503	7744	126
<b>Zone 2, 21, 22</b>	STREETEX-MN-080025...	26	25	T5/93°C	T4/103°C	T4/108°C	T4/113°C	3432	1079	132
	STREETEX-MN-080050...	52	50	T5/93°C	T4/103°C	T4/108°C	T4/113°C	6865	2159	132
	STREETEX-MN-080075...	78	75	T5/93°C	T4/103°C	T4/108°C	T4/113°C	10300	3238	132
	STREETEX-MN-080100...	95	100	T5/93°C	T4/103°C	T4/108°C	T4/113°C	12480	3973	131
	STREETEX-MN-100200...	194	200	T5/92°C	T4/102°C	T4/107°C	T4/112°C	24503	7744	126

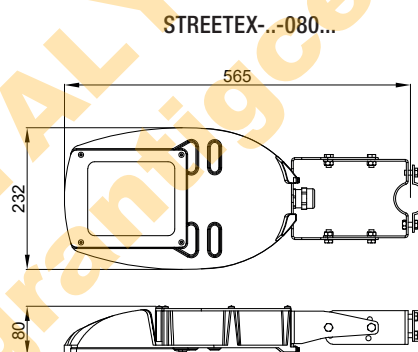
## Dimensional drawings



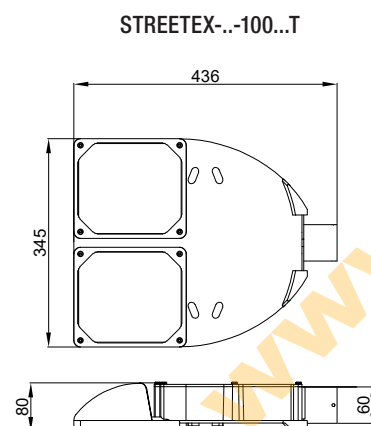
Weight: 4.8 kg  
Packaging: 245x195x710



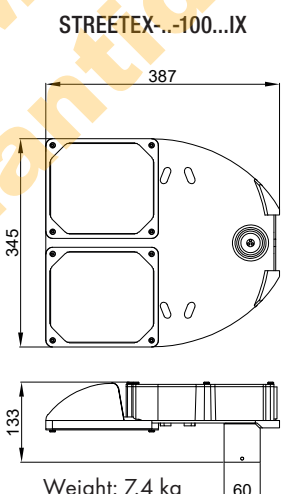
Weight: 4.8 kg  
Packaging: 245x195x710



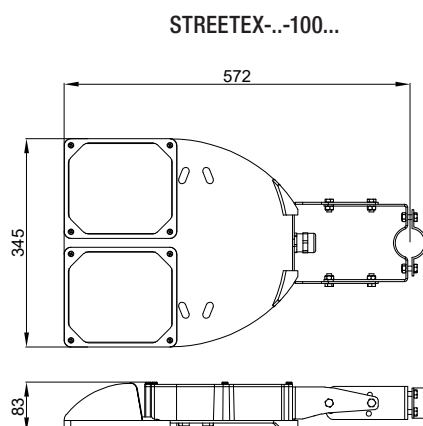
Weight: 5.7 kg  
Packaging: 245x195x710



Weight: 7.4 kg  
Packaging: 360x195x710



Weight: 7.4 kg  
Packaging: 360x195x710



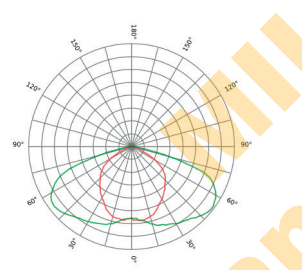
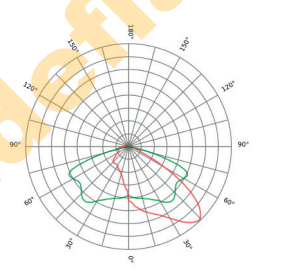
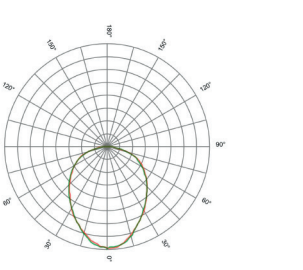

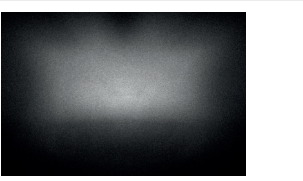
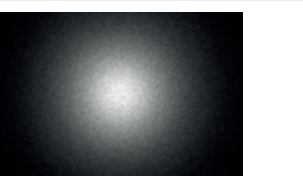
Weight: 8.3 Kg  
Packaging: 360x195x710

Dimensions in mm



Electrical features	STREETEX-..080..	STREETEX-..100..
Supply voltage:	100-277 Vac	100-277 Vac
Rated frequency:	50-60 Hz ±5%	50-60 Hz ±5%
Lamp power consumption*: <small>* Test performed at 230 Vac</small>	<b>..025</b> 25 W	<b>..200</b> 200 W
	<b>..050</b> 50 W	-
	<b>..075</b> 75 W	-
	<b>..100</b> 100 W	-
Connection:	Cable entry directly to the terminal board L, N, PE. Max. cross-section 4 mm <sup>2</sup>	
Power factor:	>0.95	>0.95
Rated current:	<b>..025</b> 117 mA	<b>..200</b> 860 mA
	<b>..050</b> 233 mA	-
	<b>..075</b> 350 mA	-
	<b>..100</b> 420 mA	-
EMC (electromagnetic compatibility):	EN 55015, EN 61547, IEC 61000-3-2, IEC 61000-3-3	
THD (Total Harmonic Distortion):	<10%	
Over-voltage protection:	4 kV	4 kV
Driver performance levels:	Over-Voltage Protection, Over-Current Protection, Short-Circuit Protection	
Dimming (on request for -MN version only):	(0-10 V) or PWM or resistor	(0-10 V) or PWM or resistor
Photometric features		
Multichip LED:	High power LED	High power LED
Colour temperature:	5700 K	5700 K
CRI:	>70	>70
Instant Restrike:	YES	YES

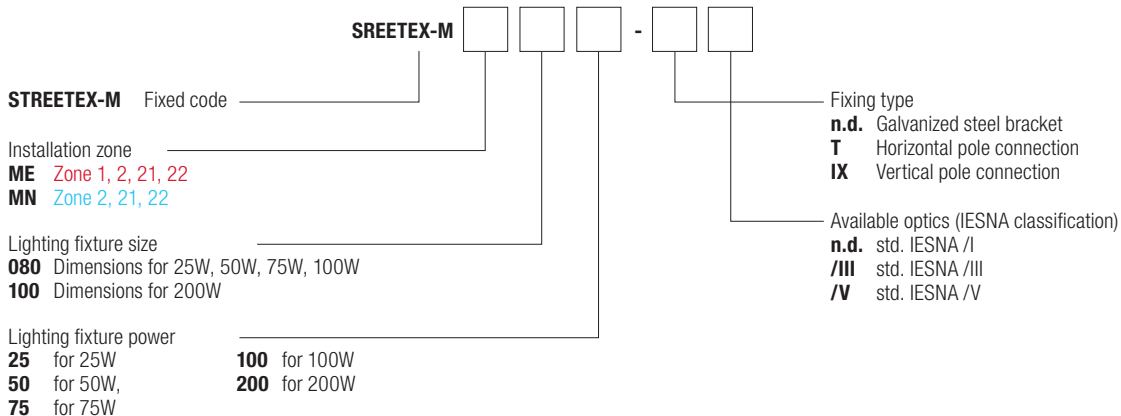
## Available optical features

Classification	IESNA /I	IESNA /III	IESNA /V
Photometrics			
Light distribution			
Light beam (beam)	<ul style="list-style-type: none"> <li>• Full angle at 50% from the maximum point: ~ 115°x 155°</li> <li>• Full angle at 10% from the maximum point: ~ 140°x 160°</li> </ul>	<ul style="list-style-type: none"> <li>• Full angle at 50% from the maximum point: ~ 125°x 60°</li> <li>• Full angle at 10% from the maximum point: ~ 150°x 125°</li> </ul>	<ul style="list-style-type: none"> <li>• Full angle at 50% from the maximum point: ~ 90°</li> <li>• Full angle at 10% from the maximum point: ~ 160°</li> </ul>
Description	Type I: extensive and symmetrical linear irradiation, with a large amount of light on both sides of the fixture. The width of the Type I light will be equal to the mounting height of the fixture.	Type III: oval irradiation with greater intensity at the front. The width of the Type III light is approximately 2.75 times wider than the mounting height of the fixture.	Type V: Circular irradiation, equal and uniform on all sides symmetrically, fixtures intended for installation in the centre of large areas to be illuminated

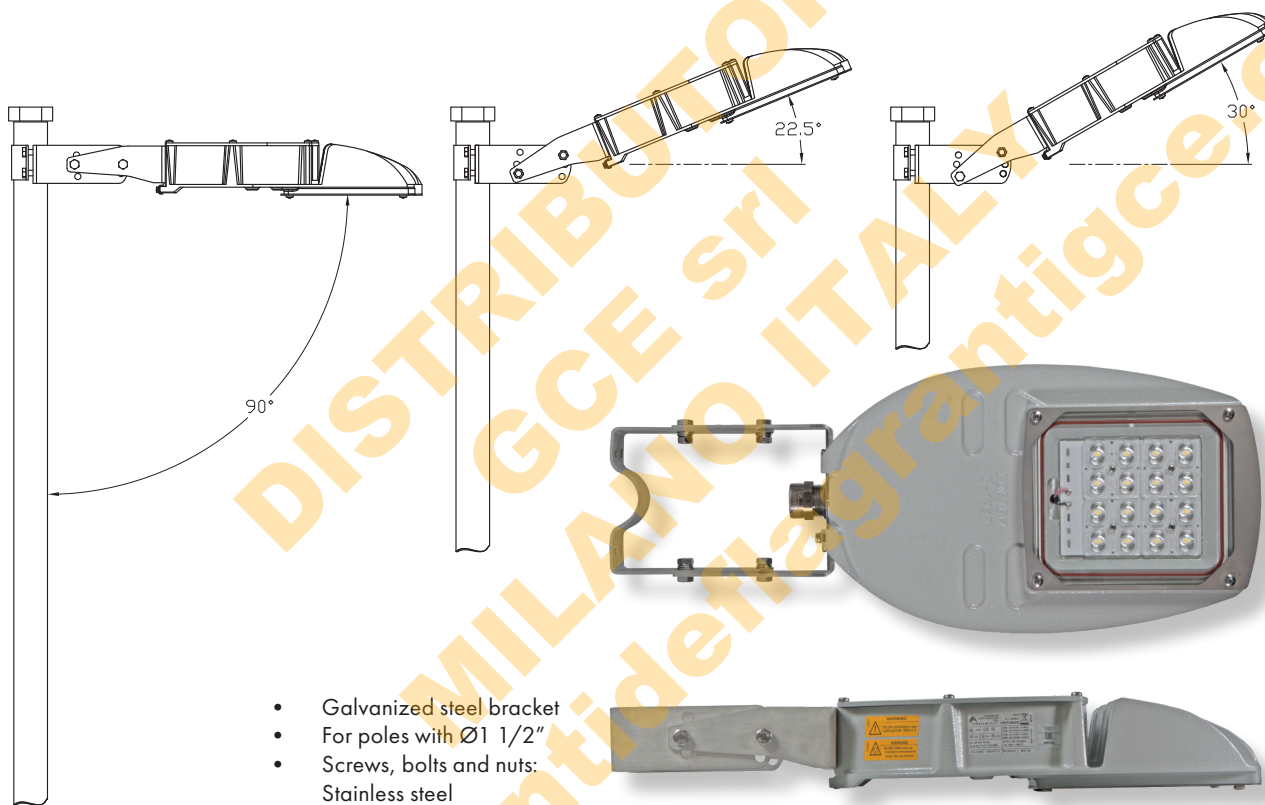




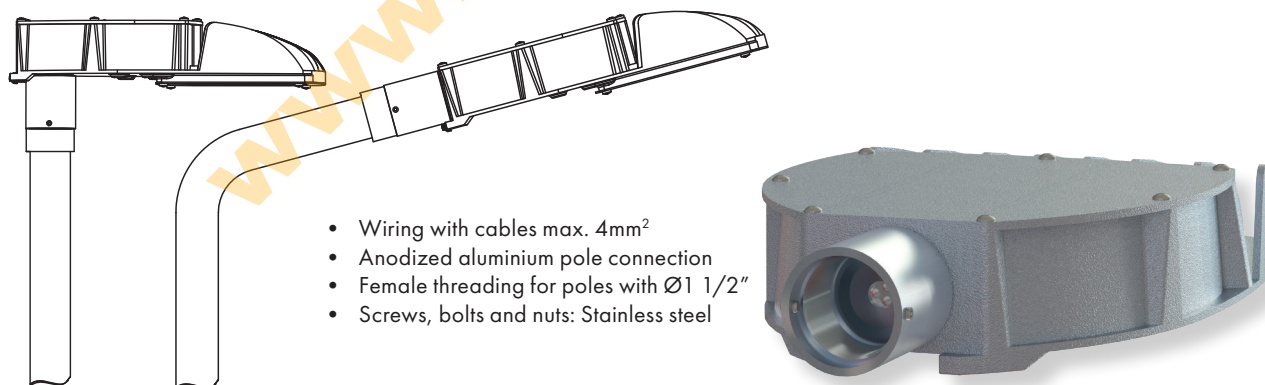
## ORDER CODE LOGIC



### Pole installation system with bracket



### Installation systems with direct pole connection



# STREETEX Series LED street lighting fixtures

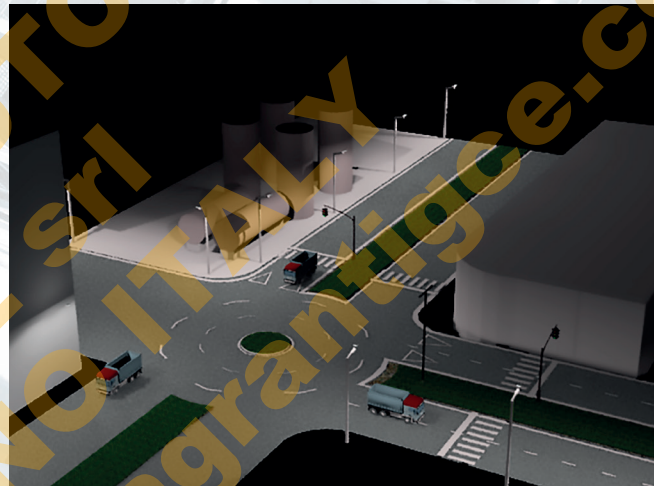
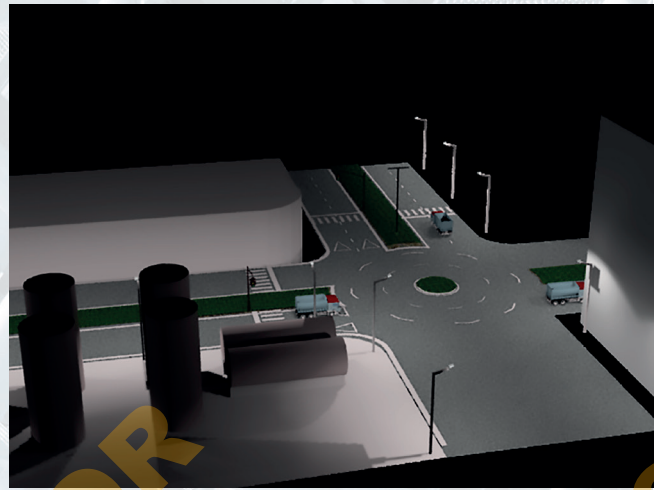
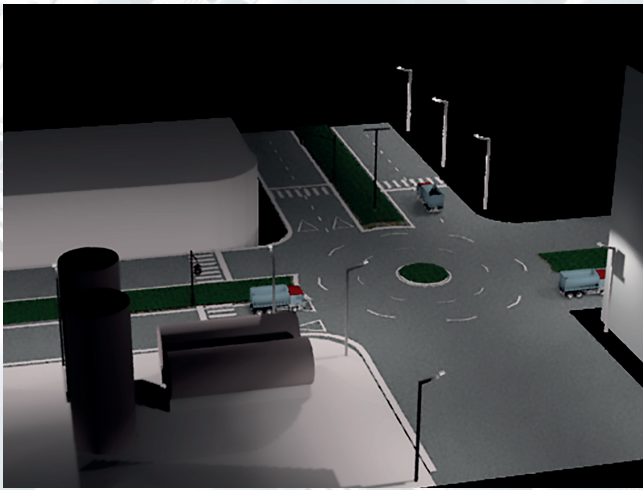


ILLUSTRATION	DESCRIPTION	MODEL	FEATURES	CODE	KEY
	Resin electronic power unit	STREETEX-ME-080025...	100-277 Vac	LEDDEVL060/2	
		STREETEX-ME-080050...		LEDDEVL060/2	
		STREETEX-ME-080075...		LEDDSTREETEXMN080075	
		STREETEX-ME-080100...		LEDDEVL080/4/8	
		STREETEX-ME-100200...		LEDDEVL100/1/10	
	Electronic power unit	STREETEX-MN-080025...	100-277 Vac	EBM-50C/1000	
		STREETEX-MN-080050...		EBM-50C/1000	
		STREETEX-MN-080075...		EBM-75C/1500	
		STREETEX-MN-080100...		EBM-100C/1000	
		STREETEX-MN-100200...		EBM-240C/2000	
	Adjustable pole mounting bracket for Ø1 1/2" poles	STREETEX-M...	Galvanized steel	G-0716	
	Internal cable gland with cable sealing ring	STREETEX-M...-T STREETEX-M...-IX	Aluminium cable clamp body complete with sealing rings for 3 or 6 cables of max. 4mm <sup>2</sup>	G-0713	
	Cable gland for non-armoured cable	STREETEX-M... (version with bracket)	std. cable range 11-20	NAV25IB	
	Electrical connectors	STREETEX-M... (versione con staffa)	For models and codes, contact comm@antideflagranti.com	FASTEX...	
	Junction box at pole base complete with terminals for cable connection	STREETEX-M...	For selection of junction boxes and electrical fittings, see <a href="http://www.antideflagranti.com">www.antideflagranti.com</a> or contact comm@antideflagranti.com		
	Poles for different light point heights and different installation types (base plate with counter plate and anchor bolts, on structure with UBD, with counter plate for base plate mounting, etc.)	STREETEX-M...	Material: hot-dip galvanized steel	For more information, please contact the sales department	



**Example of photometric study**

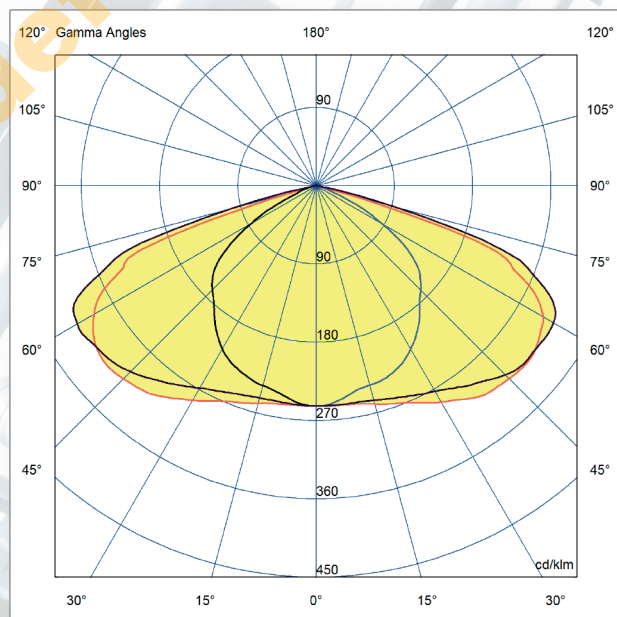
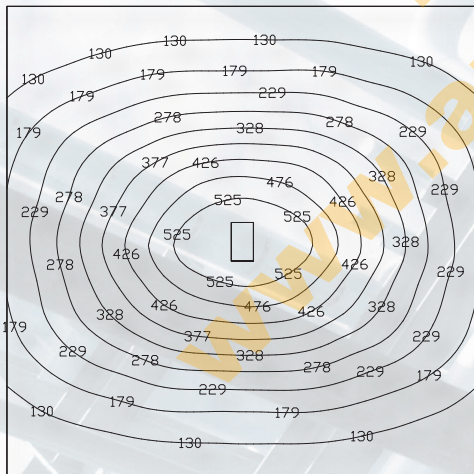
STREETEX-MN-100200 Street lighting fixtures installed on pole and wall.



Examples of outdoor installation-street and perimeter lighting on the basis of customer requirements.

Floor lighting relating to **STREETEX-ME-080100**

expressed in lux in a 5m x 5m room with fixture in the centre, at a height of **3 m**.



The lighting solution files for the design, planning and simulation of lighting levels in 2D-3D, rendering and ray-tracing are available contacting [comm@antideflagrantiGCE.com](mailto:comm@antideflagrantiGCE.com)

— = level 90270  
— = level 0180