

STOPPING PLUG

PLG Series

Stopping plug with hexagon cavity on the head. Used for closing unused entries.

Features

Material used: nickel plated brass CW614N

Operating temperature: -40°C up to 100°C with EPDM sealing rings

NPT thread: from 1/4" up to 3"

ISO 262 thread: from M12x1.5 up to M90x1.5

Degree of protection: IP66



ATEX & IECEx Equipment Data

Gas	Group II Zone 1	Ex db I Mb Ex db IIC Gb Ex eb IIC Gb
Dust	Group II Zone 21	Ex tb IIIC Db IP66

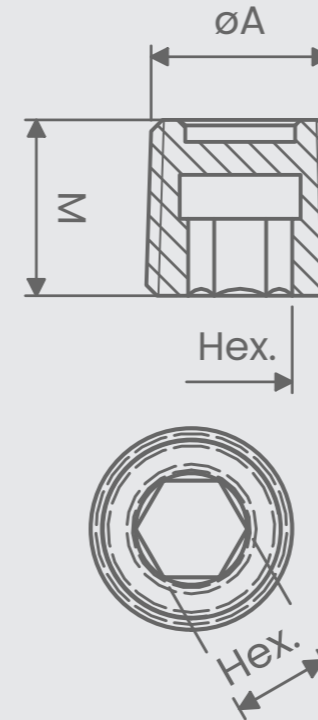
ATEX Certificate	IECEx Certificate
INERIS 14 ATEX 0029X	IECEx INE 14.0038X

Options available

- Stainless steel AISI 316L construction
- Stainless steel AISI 317L construction (available on demand)
- CW724R Brass (Lead <0,1%) (available on demand)
- Red silicon sealings rings, fluorosilicone sealings rings and teflon washer with operating temperature range from -60°C up to 180°C

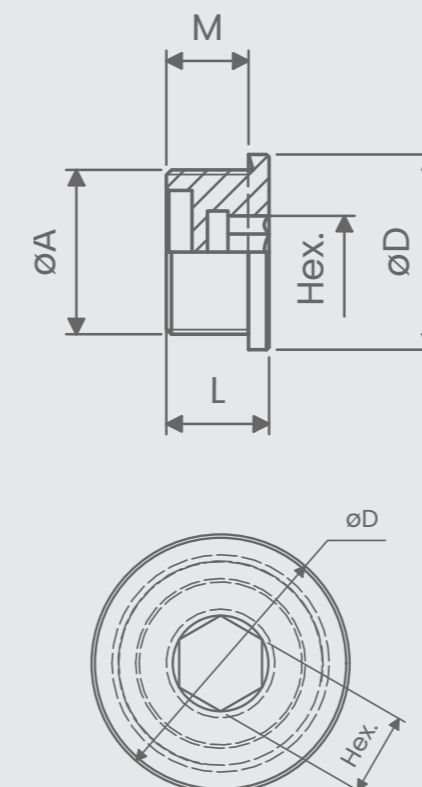
STOPPING PLUG

NPT



Code	øA [NPT]	M	Hex
PLG38B	3/8"	16	8
PLG1B	1/2"	18	10
PLG2B	3/4"	18	10
PLG3B	1"	22	12
PLG4B	1.1/4"	22	12
PLG5B	1.1/2"	22	12
PLG6B	2"	22	12
PLG7B	2.1/2"	29	14
PLG8B	3"	29	14

ISO



Code	øA [NPT]	M	øD	Hex.	L
PLG16B	M16x1.5	16	22	10	20
PLG20B	M20x1.5	16	26	10	20
PLG25B	M25x1.5	16	31	10	20
PLG32B	M32x1.5	16	38	12	20
PLG40B	M40x1.5	18	50	12	23
PLG50B	M50x1.5	18	60	12	23
PLG63B	M63x1.5	18	73	12	23
PLG75B	M75x1.5	20	85	14	26
PLG80B	M80x1.5	20	90	14	26
PLG85B	M85x1.5	20	95	14	26
PLG90B	M90x1.5	20	100	14	26

STOPPING PLUG

PLD Series

Stopping plug with hexagon cavity on the head. Used for closing unused entries on box series RI/ROI.

Features

Material used: nickel plated brass CW614N

Operating temperature: -40°C up to 100°C with EPDM sealing rings

NPT thread: from 1/4" up to 3"

ISO 262 thread: from M12x1.5 up to M90x1.5

Degree of protection: IP66



ATEX & IECEx Equipment Data

Gas	Group II Zone 1	Ex db I Mb Ex db IIC Gb Ex eb IIC Gb
Dust	Group II Zone 21	Ex tb IIIC Db IP66

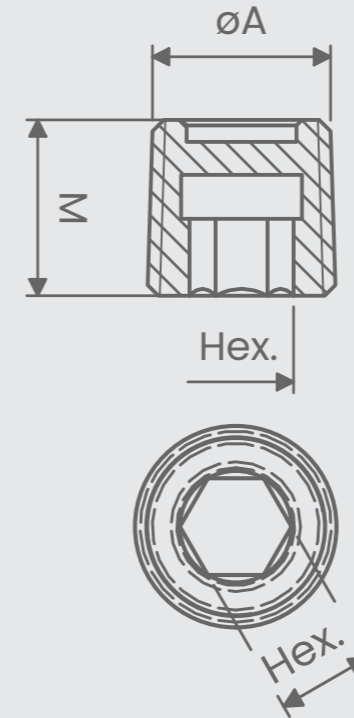
ATEX Certificate	IECEx Certificate
INERIS 14 ATEX 0029X	IECEx INE 14.0038X

Options available

- Stainless steel AISI 316L construction
- Stainless steel AISI 317L construction (available on demand)
- CW724R Brass (Lead <0,1%) (available on demand)
- Red silicon sealings rings, fluorosilicone sealings rings and teflon washer with operating temperature range from -60°C up to 180°C

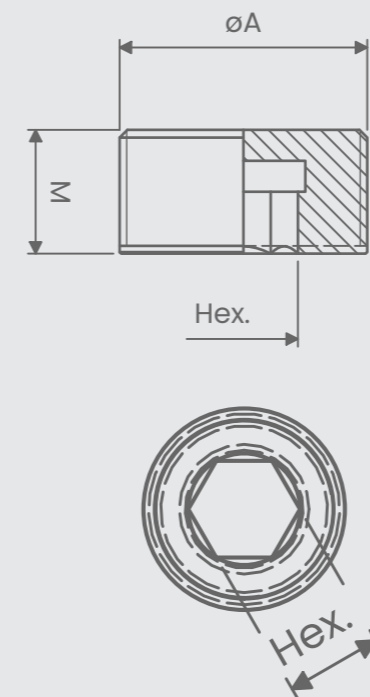
STOPPING PLUG

NPT



Code	ØA [NPT]	M	Hex
PLD1B	1/2"	15	10
PLD2B	3/4"	15	10
PLD3B	1"	17	12
PLD5B	1.1/2"	18	12
PLD6B	2"	20	12

ISO



Code	ØA [NPT]	M	Hex
PLD20B	M20x1.5	14	10
PLD25B	M25x1.5	14	10
PLG32B	M32x1.5	16	12
PLG50B	M50x1.5	16	12
PLG63B	M63x1.5	16	12

STOPPING PLUG

PLE Series

Stopping plug with hexagon head.

Features

Material used: nickel plated brass CW614N

Operating temperature: -40°C up to 100°C with EPDM sealing rings

NPT thread: from 1/2" up to 1"

ISO 262 thread: from M20x1.5 up to M32x1.5

Degree of protection: IP66



ATEX & IECEx Equipment Data for NPT threads

Gas	Group II Zone 1	Ex e IIC Gb
Dust	Group II Zone 21	Ex tb IIIC Db IP66

ATEX & IECEx Equipment Data for ISO 262 threads

Gas	Group II Zone 1	Ex db I Mb Ex db IIC Gb Ex eb IIC Gb
Dust	Group II Zone 21	Ex tb IIIC Db IP66

ATEX Certificate

INERIS 14 ATEX 0029X

IECEx Certificate

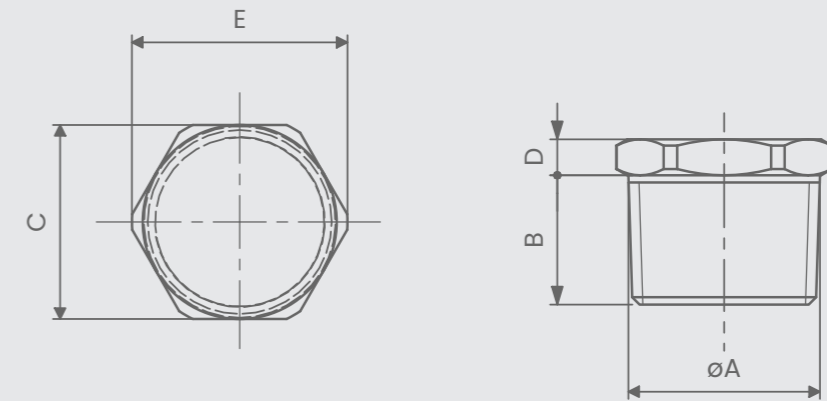
IECEx INE 14.0038X

Options available

- Stainless steel AISI 316L construction
- Stainless steel AISI 317L construction (available on demand)
- CW724R Brass (Lead <0,1%) (available on demand)
- Red silicon sealings rings, fluorosilicone sealings rings and teflon washer with operating temperature range from -60°C up to 180°C

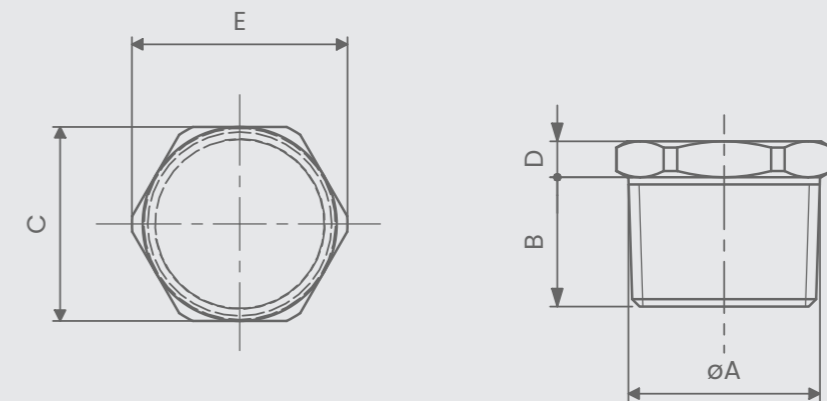
STOPPING PLUG

NPT



Code	ØA [NPT]	B	C	D	E
PLE1S	1/2"	18	22	5	25
PLE2S	3/4"	18	27	5	30
PLE3S	1"	22	35	6	39

ISO



Code	ØA [ISO]	B	C	D	E
PLE20S	M20x1.5	18	22	5	25
PLE25S	M25x1.5	18	27	5	30
PLE32S	M32x1.5	22	35	6	39