



EPC and EPRC sockets are particularly suitable for powering utility currents above 32A (up to a maximum of 125A), such as filter press systems for the reclamation and regeneration of oil from large power transformers, large welding machines, electro-pneumatic compressors, generators and a whole series of large mobile utilities required for the maintenance and or updating process elements. EPC and EPCR series sockets, precisely because they must be suitable for significantly large electric loads, are equipped with an automatic circuit breaker with both thermal (overload) protection and magnetic (short circuit) protection with a typical "C" curve for electrical loads and a fixed factory default trip current threshold. The range includes three pole sockets + earth (PE) and three pole sockets + Neutral + earth (PE), with a current capacities of 63A and 125A, with a maximum voltage of 500VAC. They can be equipped with 125A AP series plugs.

Manufacturer applies a tamper-evident holographic security label to its products, complete with a unique authentication numeric code, to combat the illegal sale of imitations and counterfeits, as well as guarantee the authenticity of its products. Failure to observe international standards creates serious risks for the environment and, above all, for the personnel working with the systems on a daily basis.

Sectors of application:



Petroleum refineries



Chemical and petrochemical plants



Onshore facilities



Offshore facilities



Petroleum loading/unloading pontoons



Low temperatures

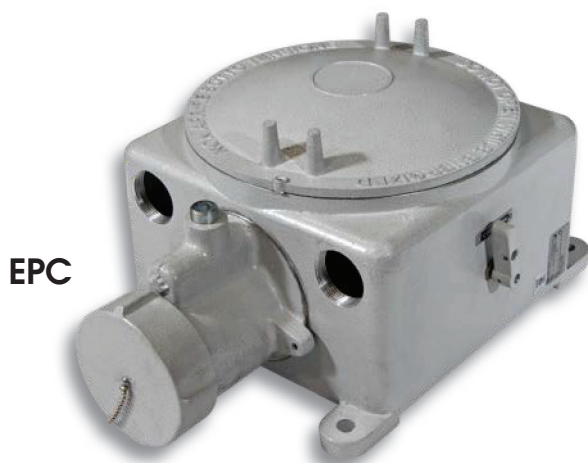


Fuel storage facilities

EMPTY ENCLOSURE CERTIFICATION DATA

Classification:	Group II	Category 2GD		
Installation: EN 60079.14	zone 1 - zone 2 (Gas)	zone 21 - zone 22 (Dust)		
Marking:	CE 0722 Ex II 2 GD; Ex d IIC T6 Gb; Ex tb IIIC T85°C Db IP66			
Certificate:	ATEX	CESI 03 ATEX 198		
	IEC Ex	IECEX CES 16.0008	For all IEC Ex and TR CU certification data, contact comm@antideflagrante.com	
	TR CU	AVAILABLE		
Standards:	CENELEC EN 60079-0: 2012, EN 60079-1: 2007, EN60079-31: 2009 and European Directive 2014/34/EU. IEC 60079-0: 2010, IEC 60079-1: 2007, IEC 60079-31: 2008 RoHS Directive 2002/95/EC.			
Temperature class:	85°C (T6)			
Ambient temp.:	-20°C +40°C	With internal 100A rated current switch		
	-20°C +55°C	With internal 125A rated current switch		
Degree of protection:	IP66			

EPC Series EPRC, AP Sockets and plugs from 63 A to 125 A



MECHANICAL FEATURES

Socket body:	Low copper content aluminium alloy, complete with wall fastening lugs and threaded socket closure cap attached to body with a safety chain
Lid:	Screw fastened, aluminium alloy with low copper content for opening socket and making electrical connection
Plug:	Low copper content aluminium alloy, complete with plastic lock rings
Pins:	Nickel-plated brass
Gaskets:	Acid, hydrocarbon and high temperature resistant positioned between the body and the lid
Certificate label:	Metal, affixed externally
Screws:	Stainless steel
Earth screw:	M6 external and internal
Coating:	Polyester RAL 7035 (Light grey)
Threaded entry points:	Two upper and two lower $\varnothing 1 \frac{1}{2}$ " (EPC) Two upper $\varnothing 1 \frac{1}{2}$ " (EPRC..)

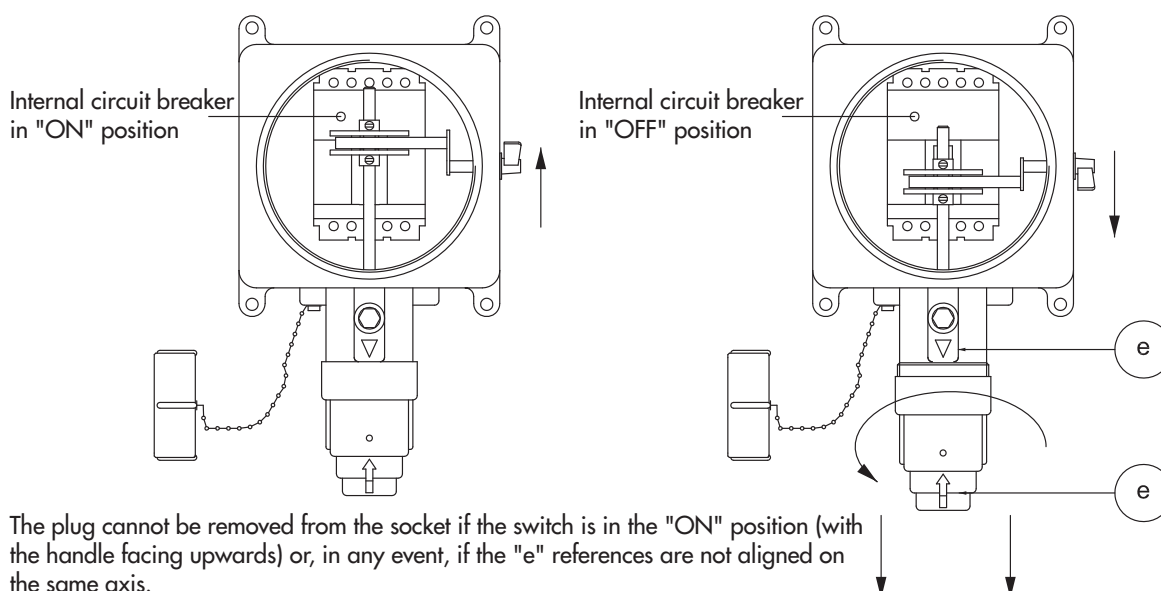
Resistenza alla corrosione:

The STANDARD of the aluminium alloy used by manufacturer has passed the tests required by standards EN60068-2-30 (hot-humid cycles) and EN60068-2-11 (salt fog test)

Safety system:

The external control lever and mechanically interlocked safety system prevents the electrical circuit from closing if the plug has not been correctly inserted in its explosion-proof housing, and prevents extraction if the automatic circuit breaker has not be opened previously. These sockets can be used in any environment with a potentially explosive atmosphere, and are manufactured so they cannot be used with industrial type plugs.

Circuit breaker operation

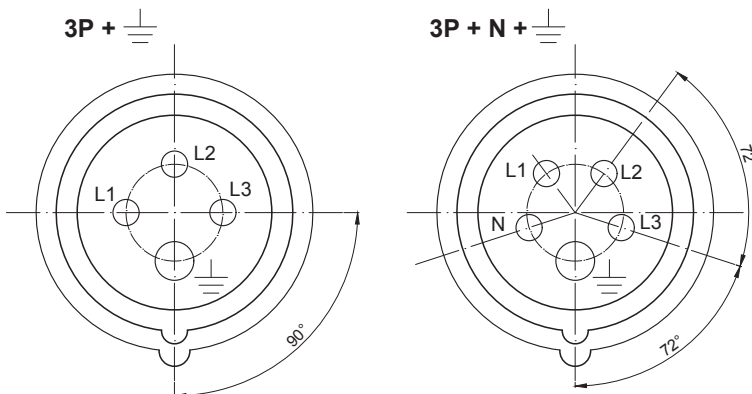
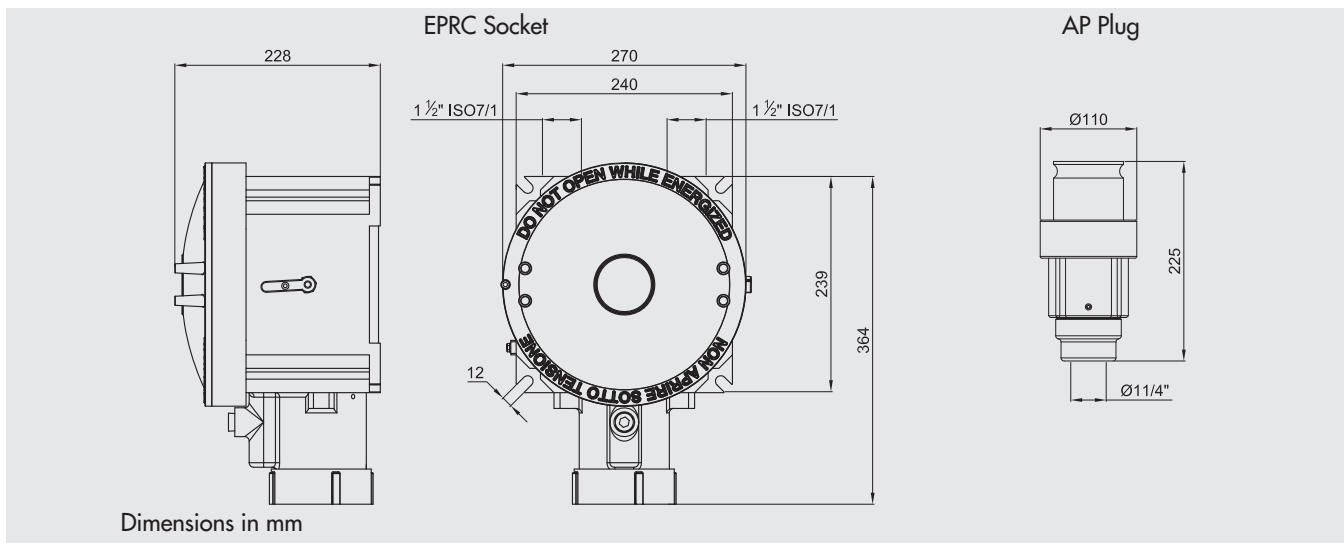
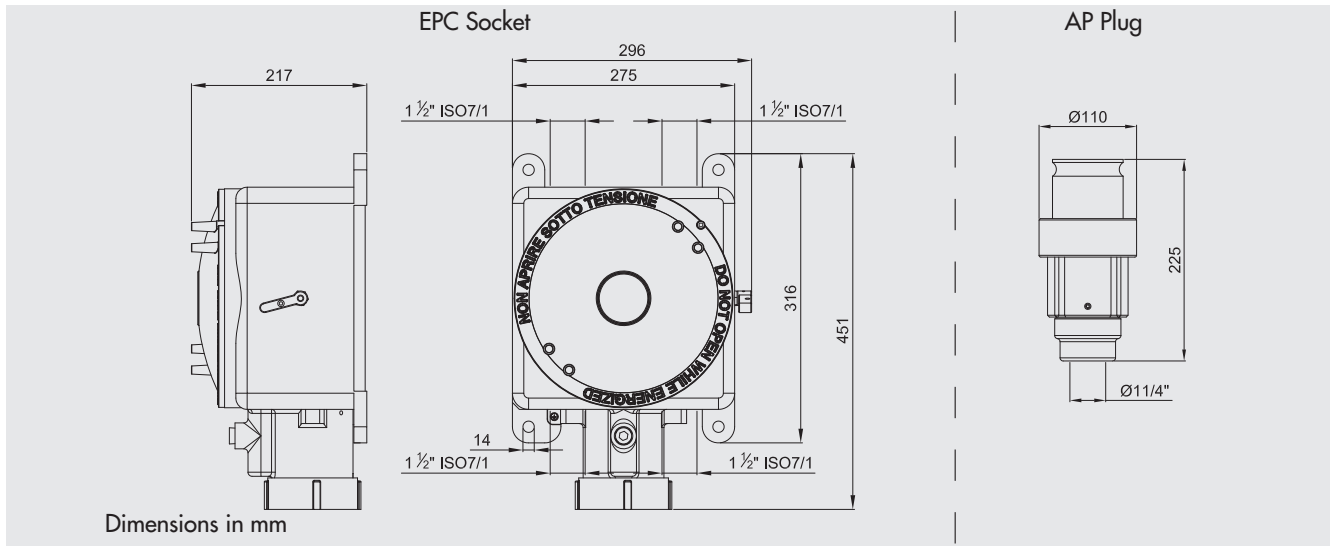




ELECTRICAL FEATURES

Rated voltage:	Max. 690 V
Rated frequency:	Max. 50/60 Hz
Rated current:	From 63 A to max. 125 A
Cable entry:	Socket EPC 4 holes Ø 1 1/2"
	Socket EPRC 2 holes Ø 1 1/2"
	Plug AP 1 hole Ø 1 1/4"
Max. cable cross-section:	Max. 50 mm ²

DIMENSIONAL DRAWING



Position of internal equipment for the execution of EPC... sockets

Front view of EPC... sockets



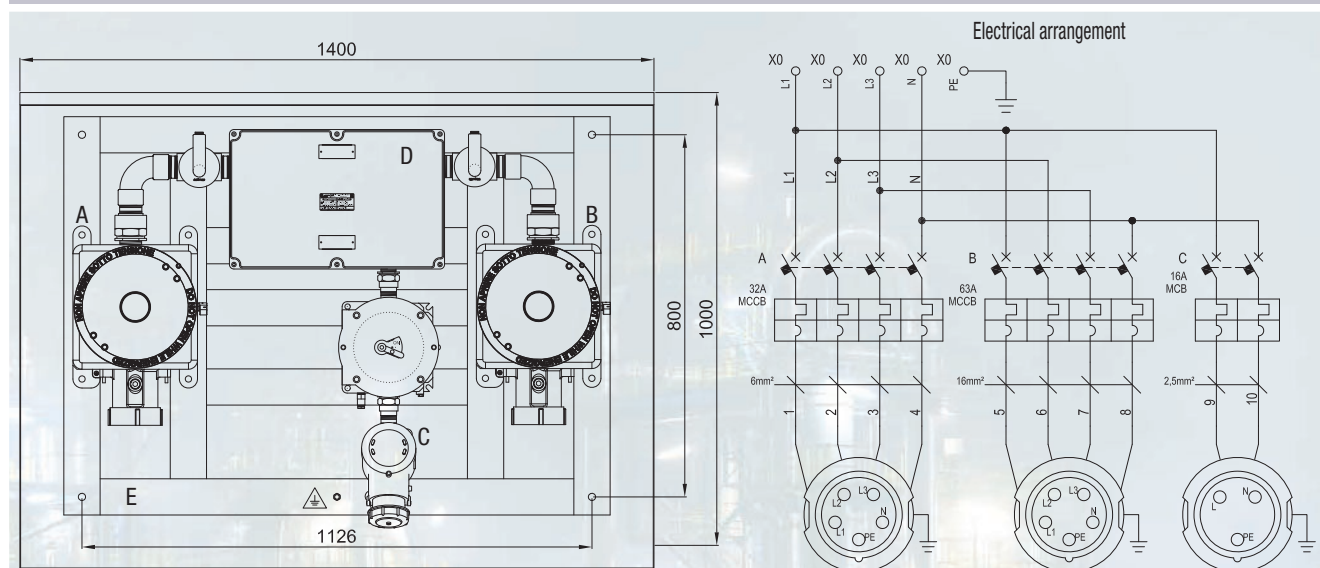
EPC, EPRC, AP Series Sockets and plugs from 63 A to 125 A

CODE SELECTION TABLE

SOCKETS				
NUMBER OF POLES	MAX. CAPACITY (A)	CASING TYPE	WEIGHT (Kg)	SOCKET CODE
3P +	63 A	GUB-03	14	EPC1-1Q63B
3P + N +	63 A	GUB-03	14	EPC1-1P63B
3P +	125 A	GUB-03	14	EPC1-1Q125B
3P + N +	125 A	GUB-03	14	EPC1-1P125B
3P +	63 A	CCA-03E	14	EPRC1-1Q63B
3P + N +	63 A	CCA-03E	14	EPRC1-1P63B
3P +	125 A	CCA-03E	14	EPRC1-1Q125B
3P + N +	125 A	CCA-03E	14	EPRC1-1P125B

PLUGS			
NUMBER OF POLES	MAX. CAPACITY (A)	WEIGHT (Kg)	PLUG CODE
3P +	125 A	2	AP-4125
3P + N +	125 A	2	AP-5125

Socket combination unit



Socket enclosure comprised of:

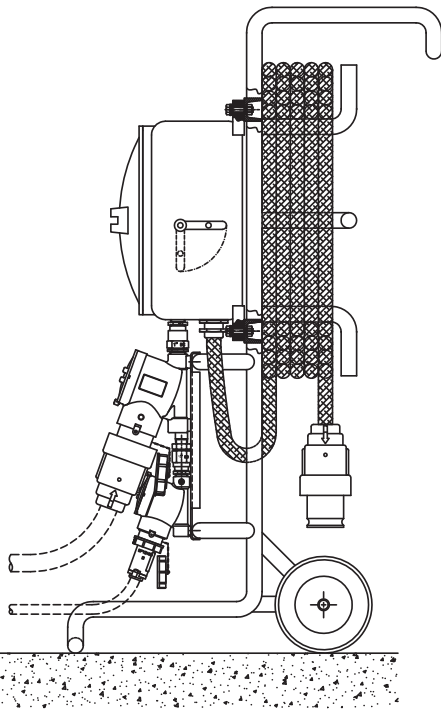
- A. EPC1-1P32B socket, 3p+N+T, 400V, with MCCB 32A 18kA
- A. EPC1-1P63B socket, 3p+N+T, 400V, with MCCB 63A 18kA
- C. CCA-02C housing with MCB 16A, 2P, 'C' curve for 18kA
- B. PY216B socket, 2p+T, 230V 16A 18kA
- D. SAG473018 aluminium housing Galvanized steel
"U" profile support frame, 80x45



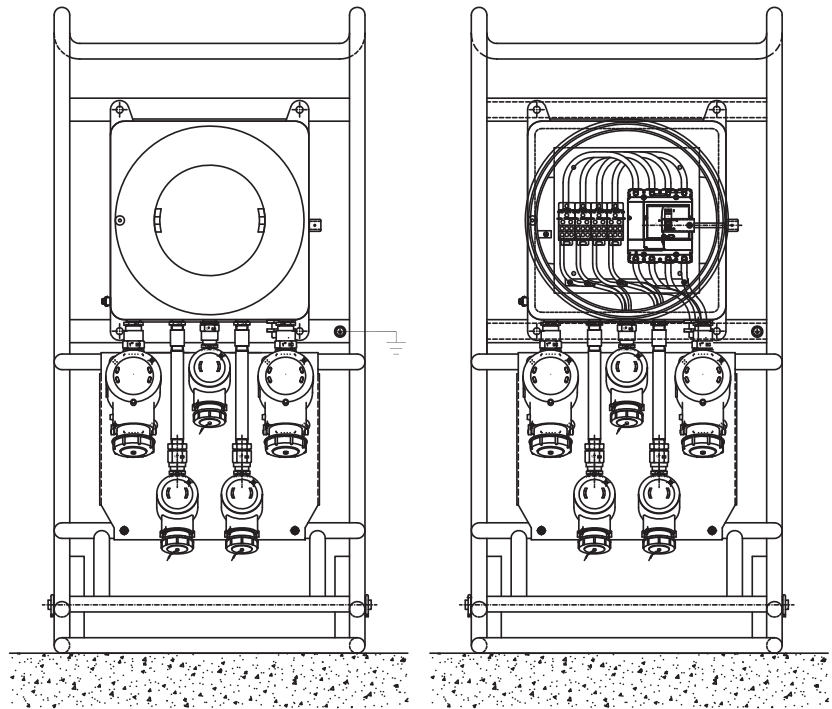


TROLLEY MOUNTED SOCKET UNIT ASSEMBLY

SIDE VIEW



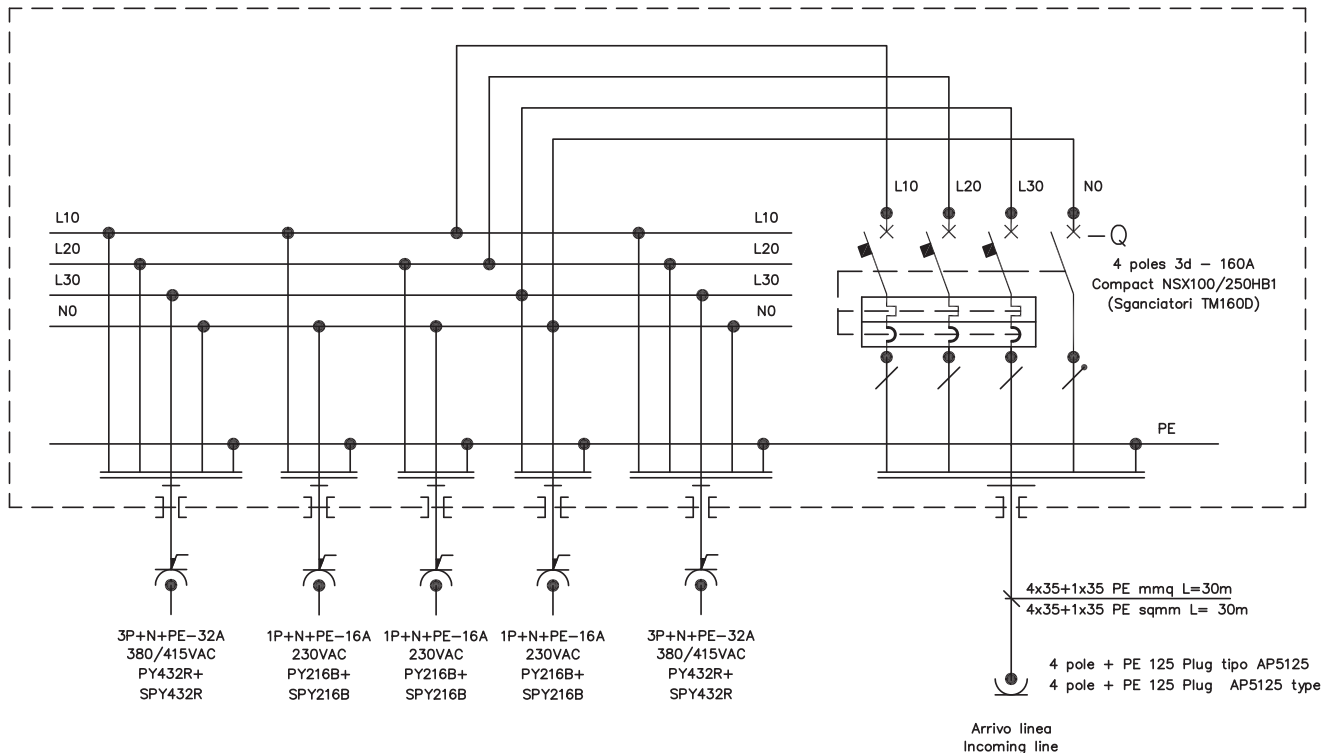
INTERNAL VIEW OF CASING



Unit comprised of:

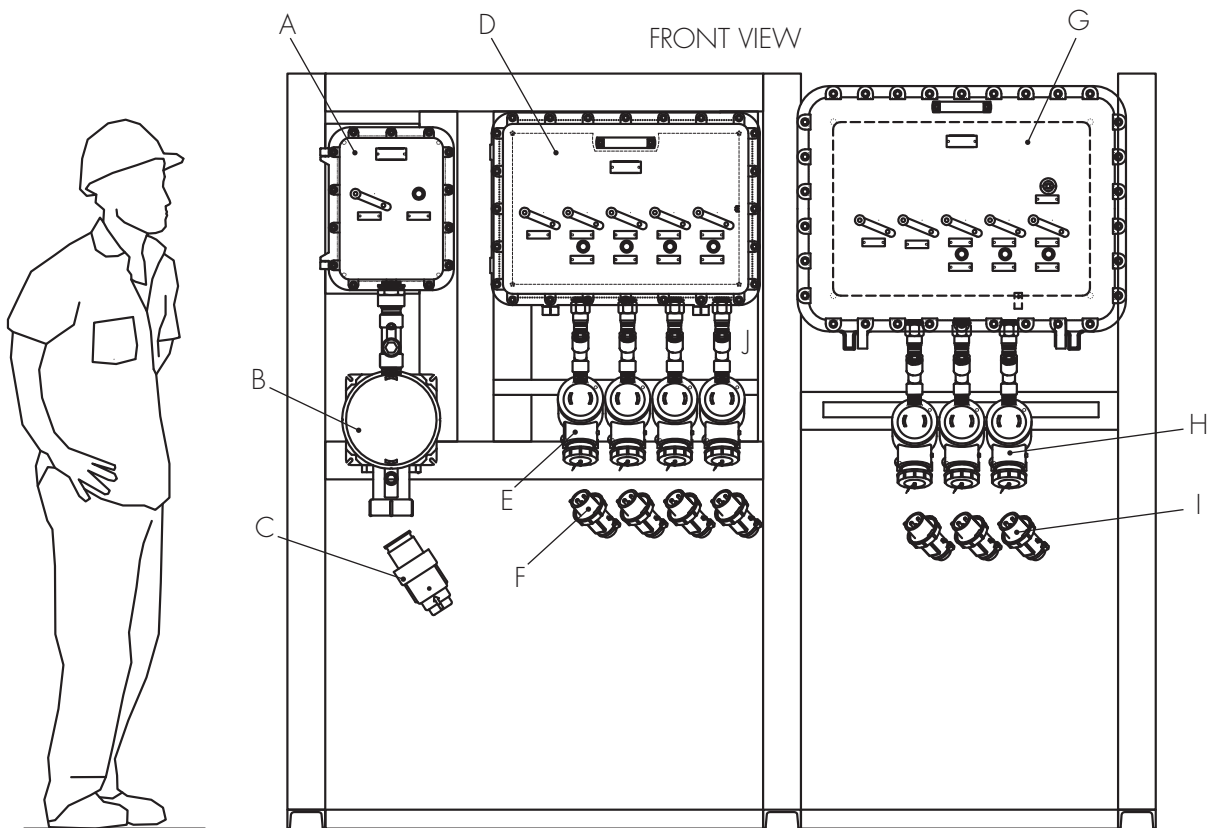
- Three PY216B sockets, 2p+T, 16A, 230Vac and three SPY216B plugs.
- Two PY432R sockets, 3p+N+T, 32A, 380/415Vac and two SPY432R plugs.
- GUB-04 housing, complete with circuit breaker.
- Cable suitable for extremely high mechanical stresses, and is resistant to both oils and chemicals, 4x35 + 1x35PE mm², L=30m.
- One AP5125 plug, 4p+T (400/230Vac supply line).
- Steel trolley with rubber wheels, RAL3020 powder coated.

ELECTRICAL ARRANGEMENT





ELECTRICAL DISTRIBUTION PANEL WITH INTERLOCKED SOCKETS



LAYOUT 3D

Socket enclosure comprised of:

- A. An EJB-4B aluminium housing with a boxed automatic switch and control lever, relay protection, reset button, fuse and toroidal transformer.
- B. An EPRC1-1Q100B with 3p+T, 100A, 600V, with an interlocked automatic switch.
- C. One AP-4125 plug, 3p+T, max. 125A.
- D. An EJB-55 aluminium housing with a boxed automatic switches and control handles, relay protection, reset buttons, fuses and toroidal transformers.
- E. Four PY232B sockets, 2p+T, 32A, 200/250V with interlocked switch.
- F. Four SPY232B plugs, 2p+T, 32A.
- G. An EJB-6 housing with a 1000VA 120/24V 60Hz transformer, boxed automatic switch and control lever, relay protection, reset button, fuse, toroidal transformer, and green signalling light.
- H. Two PY232G sockets, 2p+T, 32A, 110/130V with interlocked switch; one PY232V socket, 2p+T, 32A, 20/25V with interlocked switch.
- I. Two SPY232G plugs, 2p+T, 32A, 110/130V; one SPY232V plug, 2P+T, 32A, 20/25V.
- J. Galvanized steel "U" profile support frame, 100x50.
Lock and junction fittings.

