

**ESECUZIONE:** EEx-d IIC II2GD  
**CERTIFICATO:** KEMA 01ATEX2244  
**INSTALLAZIONE:** zona 1 - zona 2  
 zona 21 - zona 22  
**T class:** T5 - T4 - T3 (EN 50014)  
 T95°C - T 130°C  
 (EN 50281-1-1)  
**T amb. standard** -20°C +40°C  
**T amb. special** -45°C +80°C

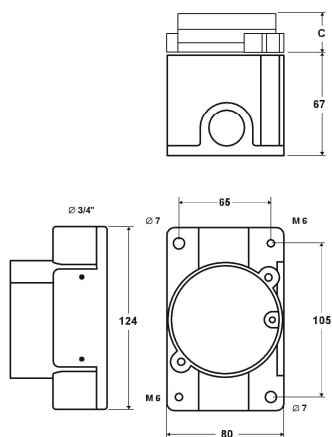
**EXECUTION:** EEx d IIC Group II2GD  
**CERTIFICATE:** KEMA 01ATEX2244  
**INSTALLATION:** zone 1 - zone 2  
 zone 21 - zone 22  
**T class:** T5 - T4 - T3 (EN 50014)  
 T95°C - T 130°C  
 (EN 50281-1-1)  
**T amb. standard** -20°C +40°C  
**T amb. special** -45°C +80°C

**Caratteristiche**  
 Custodie per installazione di combinazioni di pulsanti, selettori e segnalatori luminosi  
 Materiali : Lega leggera  
 A richiesta Viti di acciaio inox - guarnizioni al silicone

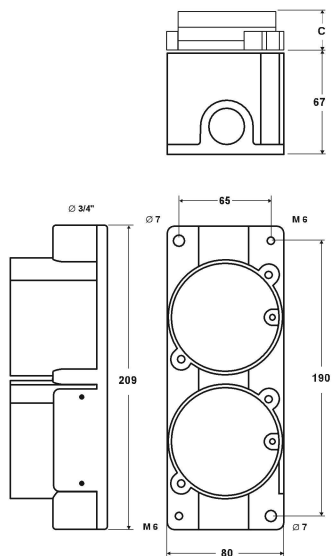
**Features**  
 Enclosures, for installation of multiple push buttons, selectors and signaling lamps  
 Materials : Light alloy (aluminium)  
 Optional Stainless screws - silicon gaskets



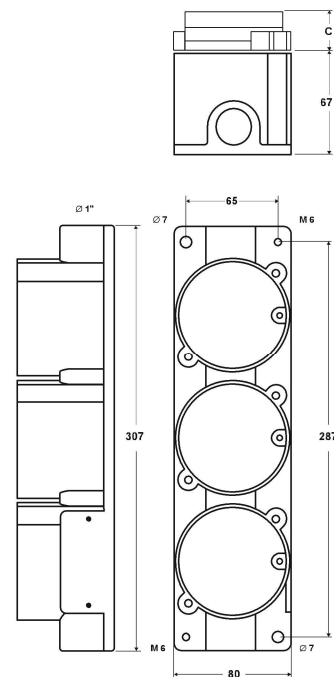
**EFDC 26**



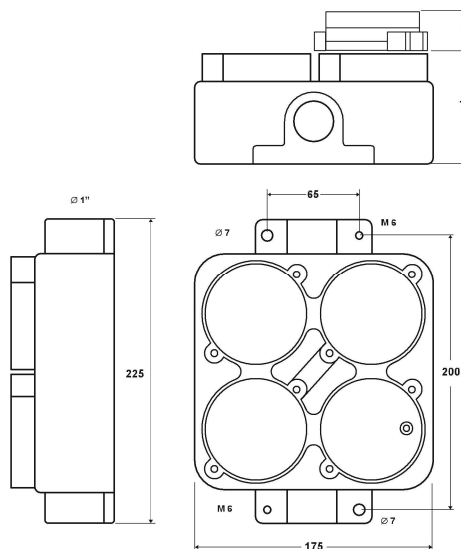
**EFDC 262**



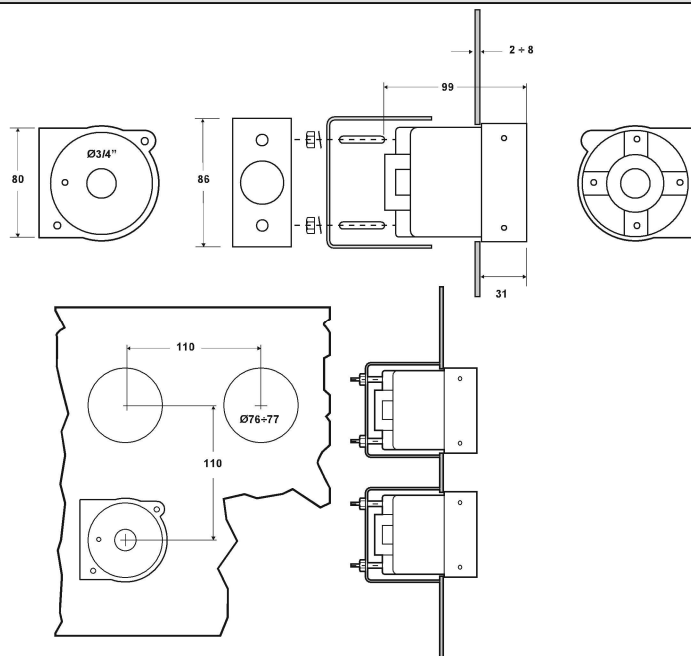
**EFDC 363**

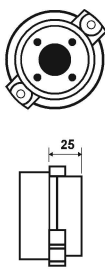
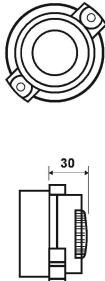
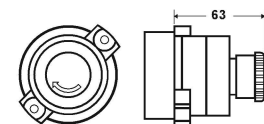
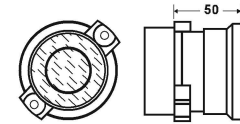
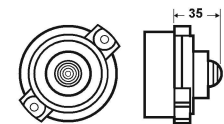
























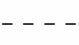
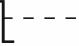



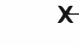
**EFDC 364**



**EFDC ../Q**



EFD	PULSANTE DI ARRESTO STOP PUSH BUTTON	DENOMINAZIONE DESIGNATION	CONTATTI CONTACTS	DESCRIZIONE DESCRIPTION	
		EFD 0 EFD 0S	1 NC 1 NO+1 NC	Pulsante nero Black button Targa rossa Red label	
	PULSANTE DI MARCIA START PUSH BUTTON	DENOMINAZIONE DESIGNATION	CONTATTI CONTACTS	DESCRIZIONE DESCRIPTION	
		EFD 1 EFD 1S	1 NO 1 NO+1 NC	Pulsante nero Black button Targa verde Green label	
EFD	PULSANTE DI EMERGENZA EMERGENCY PUSH BUTTON	DENOMINAZIONE DESIGNATION	CONTATTI CONTACTS	DESCRIZIONE DESCRIPTION	
		EFD 0F EFD 0SF	1 NC 1 NO+1 NC	Fungo rosso Ø 35 mm Red mushroom Ø 35 mm Targa gialla Yellow label	
	PULSANTE DI EMERGENZA CON AGGANCI STAY PUT EMERGENCY PUSH BUTTON	DENOMINAZIONE DESIGNATION	CONTATTI CONTACTS	DESCRIZIONE DESCRIPTION	
		EFD 0F/B EFD 0SF/B	1 NC 1 NO+1 NC	Sblocco a trazione Pull to release Fungo rosso Ø 35 mm Red mushroom Ø 35 mm Targa gialla Yellow lab	
EFD	PULSANTE DI EMERGENZA CON AGGANCI STAY PUT EMERGENCY PUSH BUTTON	DENOMINAZIONE DESIGNATION	CONTATTI CONTACTS	DESCRIZIONE DESCRIPTION	
		EFD 0FB EFD 0SFB	1 NC 1 NO+1 NC	Sblocco a rotazione Twist to release Fungo rosso Ø 39 mm Red mushroom Ø 39 mm Targa gialla Yellow label	
	PULSANTE DI EMERGENZA CON AGGANCI STAY PUT EMERGENCY PUSH BUTTON	DENOMINAZIONE DESIGNATION	CONTATTI CONTACTS	DESCRIZIONE DESCRIPTION	
		EFD 0F/BY EFD 0SF/BY	1 NC 1 NO+1 NC	Sgancio a chiave Key released Fungo rosso Ø 39 mm Red mushroom Ø 39 mm Targa gialla Yellow label	
		EFD 9YF EFD 9YFS	2 NO 1 NC+1 NO	Pulsante nero con blocco in entrambe le posizioni Both position black key locked push button	
EFD	PULSANTE DI EMERGENZA CON VETRO EMERGENCY PUSH BUTTON WITH GLASS	DENOMINAZIONE DESIGNATION	CONTATTI CONTACTS	DESCRIZIONE DESCRIPTION	
		EFD (0E) EFD (0SE)	1 NC 1 NC+1 NO	Rompi il vetro e premi (ritorno a molla) Break the glass and push (automatic spring return)	
		EFD (1E) EFD (1SE)	1 NO 1 NO+1NC	Rompi il vetro (ritorno a molla) Break the glass (autom. spring return)	
		EFD (0BE) EFD (0SBE)	1 NC 1 NC+1 NO	Rompi il vetro e premi con aggancio, sblocco a trazione Break the glass and push, pull to release  Fungo rosso Ø35 mm Red mushroom Ø35 mm Targa rossa Red label Martello in acciaio zincato con catena inox (peso : 150 gr) Galvanized steel hammer with chain (weight : 150 gr)	
EFD	SEGNALATORI LUMINOSI PILOT LIGHT STATION	DENOMINAZIONE DESIGNATION	TENSIONE VOLTAGE	COLOER COLOUR	ATTACCO CAPS
		EFD B EFD R EFD V EFD G EFD A EFD L	12÷230V max 5W 12÷230V max 5W 12÷230V max 5W 12÷230V max 5W 12÷230V max 5W 12÷230V max 5W	Bianco/White Rosso/Red Verde/Green Giallo/Yellow Azzurro/Blue Transparent for led	E14 E14 E14 E14 E14 BA9s
	<b>Caratteristiche elementi di contatto:</b> Elementi di contatto autopulenti dorati Corrente nominale : 10A (400Vac) Morsetti : a vite con serrafilo 2x2,5mm <sup>2</sup>		<b>Electrical contacts characteristics</b> Self cleaning golden plate contacts Rated current : 10A (400Vac) Terminals : On screw with plate clamp 2x2,5mm <sup>2</sup>		

EFD 9Y		INTERRUTTORE A CHIAVE SWITCH WITH KEY																																			
	EFD 5		<table border="1"> <tr><td>1</td><td>2</td><td></td><td></td><td></td></tr> <tr><td>11-12</td><td>X</td><td>O</td><td></td><td></td></tr> <tr><td>12-14</td><td>O</td><td>X</td><td></td><td></td></tr> </table>	1	2				11-12	X	O			12-14	O	X																					
	1	2																																			
	11-12	X	O																																		
12-14	O	X																																			
EFD 52		<table border="1"> <tr><td>1</td><td>2</td><td></td><td></td><td></td></tr> <tr><td>11-12</td><td>X</td><td>O</td><td></td><td></td></tr> <tr><td>12-14</td><td>O</td><td>X</td><td></td><td></td></tr> <tr><td>21-22</td><td>X</td><td>O</td><td></td><td></td></tr> <tr><td>22-24</td><td>O</td><td>X</td><td></td><td></td></tr> </table>	1	2				11-12	X	O			12-14	O	X			21-22	X	O			22-24	O	X												
1	2																																				
11-12	X	O																																			
12-14	O	X																																			
21-22	X	O																																			
22-24	O	X																																			
EFD 53		<table border="1"> <tr><td>1</td><td>2</td><td></td><td></td><td></td></tr> <tr><td>11-12</td><td>X</td><td>O</td><td></td><td></td></tr> <tr><td>12-14</td><td>O</td><td>X</td><td></td><td></td></tr> <tr><td>21-22</td><td>X</td><td>O</td><td></td><td></td></tr> <tr><td>22-24</td><td>O</td><td>X</td><td></td><td></td></tr> <tr><td>31-32</td><td>X</td><td>O</td><td></td><td></td></tr> <tr><td>32-34</td><td>O</td><td>X</td><td></td><td></td></tr> </table>	1	2				11-12	X	O			12-14	O	X			21-22	X	O			22-24	O	X			31-32	X	O			32-34	O	X		
1	2																																				
11-12	X	O																																			
12-14	O	X																																			
21-22	X	O																																			
22-24	O	X																																			
31-32	X	O																																			
32-34	O	X																																			
<b>GUF 06</b> COPERCHIO CIECO BLIDN COVER  	EFD 50		<table border="1"> <tr><td>1</td><td>0</td><td>2</td><td></td><td></td></tr> <tr><td>11-12</td><td>X</td><td>O</td><td>O</td><td></td></tr> <tr><td>12-14</td><td>O</td><td>O</td><td>X</td><td></td></tr> </table>	1	0	2			11-12	X	O	O		12-14	O	O	X																				
	1	0	2																																		
	11-12	X	O	O																																	
12-14	O	O	X																																		
EFD 50+		<table border="1"> <tr><td>1</td><td>0</td><td>2</td><td></td><td></td></tr> <tr><td>11-12</td><td>X</td><td>O</td><td>O</td><td></td></tr> <tr><td>12-14</td><td>O</td><td>O</td><td>X</td><td></td></tr> </table>	1	0	2			11-12	X	O	O		12-14	O	O	X																					
1	0	2																																			
11-12	X	O	O																																		
12-14	O	O	X																																		
EFD 502		<table border="1"> <tr><td>1</td><td>0</td><td>2</td><td></td><td></td></tr> <tr><td>11-12</td><td>X</td><td>O</td><td>O</td><td></td></tr> <tr><td>12-14</td><td>O</td><td>O</td><td>X</td><td></td></tr> <tr><td>21-22</td><td>X</td><td>O</td><td>O</td><td></td></tr> <tr><td>22-24</td><td>O</td><td>O</td><td>X</td><td></td></tr> </table>	1	0	2			11-12	X	O	O		12-14	O	O	X		21-22	X	O	O		22-24	O	O	X											
1	0	2																																			
11-12	X	O	O																																		
12-14	O	O	X																																		
21-22	X	O	O																																		
22-24	O	O	X																																		
	EFD 502+		<table border="1"> <tr><td>1</td><td>0</td><td>2</td><td></td><td></td></tr> <tr><td>11-12</td><td>X</td><td>O</td><td>O</td><td></td></tr> <tr><td>12-14</td><td>O</td><td>O</td><td>X</td><td></td></tr> <tr><td>21-22</td><td>X</td><td>O</td><td>O</td><td></td></tr> <tr><td>22-24</td><td>O</td><td>O</td><td>X</td><td></td></tr> </table>	1	0	2			11-12	X	O	O		12-14	O	O	X		21-22	X	O	O		22-24	O	O	X										
	1	0	2																																		
	11-12	X	O	O																																	
12-14	O	O	X																																		
21-22	X	O	O																																		
22-24	O	O	X																																		
EFD 503		<table border="1"> <tr><td>1</td><td>0</td><td>2</td><td></td><td></td></tr> <tr><td>11-12</td><td>X</td><td>O</td><td>O</td><td></td></tr> <tr><td>12-14</td><td>O</td><td>O</td><td>X</td><td></td></tr> <tr><td>21-22</td><td>X</td><td>O</td><td>O</td><td></td></tr> <tr><td>22-24</td><td>O</td><td>O</td><td>X</td><td></td></tr> <tr><td>31-32</td><td>X</td><td>O</td><td>O</td><td></td></tr> <tr><td>32-34</td><td>O</td><td>O</td><td>X</td><td></td></tr> </table>	1	0	2			11-12	X	O	O		12-14	O	O	X		21-22	X	O	O		22-24	O	O	X		31-32	X	O	O		32-34	O	O	X	
1	0	2																																			
11-12	X	O	O																																		
12-14	O	O	X																																		
21-22	X	O	O																																		
22-24	O	O	X																																		
31-32	X	O	O																																		
32-34	O	O	X																																		
	EFD 6		<table border="1"> <tr><td>0</td><td>I</td><td></td><td></td><td></td></tr> <tr><td>13-14</td><td>O</td><td>X</td><td></td><td></td></tr> <tr><td>23-24</td><td>O</td><td>X</td><td></td><td></td></tr> </table>	0	I				13-14	O	X			23-24	O	X																					
	0	I																																			
	13-14	O	X																																		
23-24	O	X																																			
EFD 63		<table border="1"> <tr><td>0</td><td>I</td><td></td><td></td><td></td></tr> <tr><td>13-14</td><td>O</td><td>X</td><td></td><td></td></tr> <tr><td>23-24</td><td>O</td><td>X</td><td></td><td></td></tr> <tr><td>33-34</td><td>O</td><td>X</td><td></td><td></td></tr> </table>	0	I				13-14	O	X			23-24	O	X			33-34	O	X																	
0	I																																				
13-14	O	X																																			
23-24	O	X																																			
33-34	O	X																																			
EFD 64		<table border="1"> <tr><td>0</td><td>I</td><td></td><td></td><td></td></tr> <tr><td>13-14</td><td>O</td><td>X</td><td></td><td></td></tr> <tr><td>23-24</td><td>O</td><td>X</td><td></td><td></td></tr> <tr><td>33-34</td><td>O</td><td>X</td><td></td><td></td></tr> <tr><td>43-44</td><td>O</td><td>X</td><td></td><td></td></tr> </table>	0	I				13-14	O	X			23-24	O	X			33-34	O	X			43-44	O	X												
0	I																																				
13-14	O	X																																			
23-24	O	X																																			
33-34	O	X																																			
43-44	O	X																																			
	EFD 7		<table border="1"> <tr><td>0</td><td>-</td><td>I</td><td></td><td></td></tr> <tr><td>13-14</td><td>O</td><td>O</td><td>X</td><td></td></tr> <tr><td>21-22</td><td>O</td><td>X</td><td>X</td><td></td></tr> </table>	0	-	I			13-14	O	O	X		21-22	O	X	X																				
	0	-	I																																		
	13-14	O	O	X																																	
21-22	O	X	X																																		
EFD 8		<table border="1"> <tr><td>0</td><td>-</td><td>I</td><td></td><td></td></tr> <tr><td>13-14</td><td>O</td><td>O</td><td>X</td><td></td></tr> <tr><td>21-22</td><td>O</td><td>X</td><td>X</td><td></td></tr> </table>	0	-	I			13-14	O	O	X		21-22	O	X	X																					
0	-	I																																			
13-14	O	O	X																																		
21-22	O	X	X																																		
EFDY		<table border="1"> <tr><td>0</td><td>-</td><td>I</td><td>-</td><td>2</td></tr> <tr><td>13-14</td><td>X</td><td>O</td><td>O</td><td>O</td></tr> <tr><td>23-24</td><td>X</td><td>X</td><td>O</td><td>O</td></tr> <tr><td>33-34</td><td>O</td><td>O</td><td>O</td><td>X</td></tr> <tr><td>43-44</td><td>O</td><td>O</td><td>O</td><td>X</td></tr> </table>	0	-	I	-	2	13-14	X	O	O	O	23-24	X	X	O	O	33-34	O	O	O	X	43-44	O	O	O	X										
0	-	I	-	2																																	
13-14	X	O	O	O																																	
23-24	X	X	O	O																																	
33-34	O	O	O	X																																	
43-44	O	O	O	X																																	
	EFD		<table border="1"> <tr><td>13-14</td><td></td><td></td><td></td><td></td></tr> <tr><td>23-24</td><td></td><td></td><td></td><td></td></tr> <tr><td>33-34</td><td></td><td></td><td></td><td></td></tr> <tr><td>43-44</td><td></td><td></td><td></td><td></td></tr> </table>	13-14					23-24					33-34					43-44																		
	13-14																																				
	23-24																																				
33-34																																					
43-44																																					
EFD..		<table border="1"> <tr><td>13-14</td><td></td><td></td><td></td><td></td></tr> <tr><td>23-24</td><td></td><td></td><td></td><td></td></tr> <tr><td>33-34</td><td></td><td></td><td></td><td></td></tr> <tr><td>43-44</td><td></td><td></td><td></td><td></td></tr> </table>	13-14					23-24					33-34					43-44																			
13-14																																					
23-24																																					
33-34																																					
43-44																																					
<b>CARATTERISTICHE ELEMENTI DI CONTATTO</b>		<b>SIMBOLI SCHEMA ELETTRICO E FUNZIONALE ELECTRICAL AND ARRANGEMENT SYMBOLS</b>																																			
Elementi di contatto autopulenti dorati Corrente nominale : 16A Morsetti : a vite con serrafilo 2x2,5mm <sup>2</sup>			Ritorno a molla Spring return																																		
			Comando rotativo Rotary command																																		
			Dispositivo di blocco a richiesta Locking device upon request																																		
<b>ELECTRICAL CONTACTS CHARACTERISTICS</b>			Contatto aperto Opened contact																																		
			Contatto chiuso Closed contact																																		
Self cleaning golden plate contacts Rated current : 16A Terminals : On screw with plate clamp 2x2,5mm <sup>2</sup>			Contatto senza interruzione Contact without interruption																																		

# EFSC

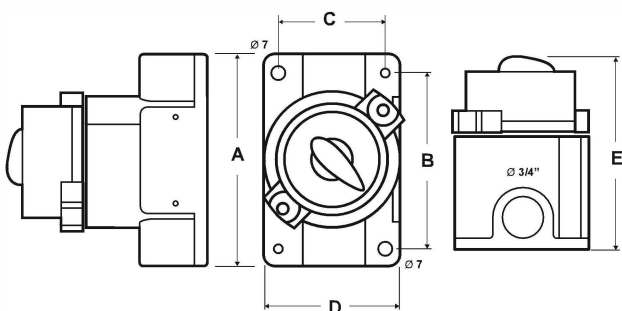
## INTERRUTTORI SEMIROTATIVI A CAMMES CON COMANDO FRONTALE CAM ROTARY SWITCHES WITH FRONTAL DRIVE

ESECUZIONE: EEx-d IIC II2GD IP 66  
 CERTIFICATO: KEMA 01ATEX2244  
 INSTALLAZIONE: zona 1 - zona 2 - zona 21 - zona 22  
 T class: T5 - T4 - T3 (EN 50014)  
 T 95°C - T 130°C - T 195°C (EN 50281-1-1)  
 T amb. standard -20°C +40°C  
 T amb. special -45°C +80°C

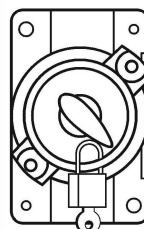
EXECUTION: EEx d IIC Group II2GD IP 66  
 CERTIFICATE: KEMA 01ATEX2244  
 INSTALLATION: zone 1 - zone 2 - zone 21 - zone 22  
 T class: T5 - T4 - T3 (EN 50014)  
 T 95°C - T 130°C - T 195°C (EN 50281-1-1)  
 T amb. standard -20°C +40°C  
 T amb. special -45°C +80°C

**Caratteristiche**  
 Interruttori semirotativi a cammes con comando frontale  
 Materiali : Lega leggera  
 A richiesta Viti di acciaio inox - guarnizioni al silicone

**Features**  
 Cam rotary switches with frontal drive  
 Materials : Light alloy (aluminium)  
 Optional Stainless screws - silicon gaskets



DENOMINAZIONE DESIGNATION	CORRENTE CURRENT	DIMENSIONI DIMENSIONS					POLI POLES
sigla-item		A	B	C	D	E	
EFSC 26	16A	124	105	65	80	112	2
EFSC 36	16A	124	105	65	80	112	3
EFSC 46	16A	124	105	65	80	112	4



Lucchettabile  
 Aggiungere al codice il  
 suffisso L

Padlocking  
 Add to code the suffix L

# SEL

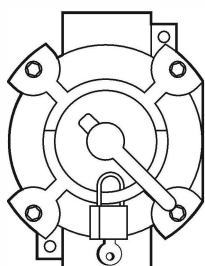
## INTERRUTTORI SWITCHES

ESECUZIONE: EEx-d IIC II2GD IP 66  
 CERTIFICATO: KEMA 01ATEX2246  
 INSTALLAZIONE: zona 1 - zona 2 - zona 21 - zona 22  
 T class: T6 - T5 - T4 (EN 50014)  
 T 80°C - T 95°C - T 130°C (EN 50281-1-1)  
 T amb. standard -20°C +40°C  
 T amb. special -50°C +80°C

EXECUTION: EEx d IIC Group II2GD IP 66  
 CERTIFICATE: KEMA 01ATEX2246  
 INSTALLATION: zone 1 - zone 2 - zone 21 - zone 22  
 T class: T6 - T5 - T4 (EN 50014)  
 T 80°C - T 95°C - T 130°C (EN 50281-1-1)  
 T amb. standard -20°C +40°C  
 T amb. special -50°C +80°C

**Caratteristiche**  
 Interruttori semirotativi a cammes con comando frontale  
 Materiali : Lega leggera  
 A richiesta: Viti di acciaio inox - guarnizioni al silicone

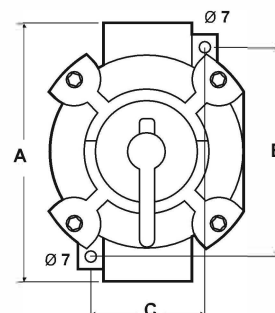
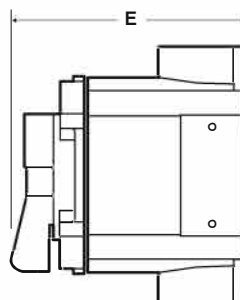
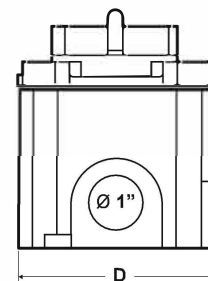
**Features**  
 Cam rotary switches with frontal drive  
 Materials : Light alloy (aluminium)  
 Optional : Stainless screws - silicon gaskets



Lucchettabile  
 Aggiungere al codice il  
 suffisso L

Padlocking  
 Add to code the suffix L

DENOMINAZIONE DESIGNATION	CORRENTE CURRENT	DIMENSIONI DIMENSIONS					POLI POLES
sigla-item		A	B	C	D	E	
SEL 325	32A	150	119	65	110	135	3
SEL 425	32A	150	119	65	110	135	4
SEL 625	32A	150	119	65	110	135	6
SEL 825	32A	150	119	65	110	135	8



# EJB ./CB

## CASSETTA CON INTERRUTTORI MAGNETOTERMICI ENCLOSURE WITH CIRCUIT BREAKERS

ESECUZIONE: EEx-d IIB II2G II2GD  
 CERTIFICATO: KEMA 01ATEX2257  
 INSTALLAZIONE: zona 1 - zona 2 - zona 21 - zona 22  
 T class: T6 - T5 (EN 50014)  
 T80°C - T 130°C (EN 50281-1-1)  
 T amb. standard -20°C +40°C  
 T amb. special -50°C +60°C

EXECUTION: EEx d IIB Group II2G II2GD  
 CERTIFICATE: KEMA 01ATEX2257  
 INSTALLATION: zone 1 - zone 2 - zone 21 - zone 22  
 T class: T6 - T5 (EN 50014)  
 T80°C - T 130°C (EN 50281-1-1)  
 T amb. standard -20°C +40°C  
 T amb. special -50°C +60°C

Caratteristiche  
 Cassetta con interruttori magnetotermici  
 Materiali : Lega leggera  
 A richiesta Viti di acciaio inox - guarnizione IP 66

Features  
 Enclosure with circuit breakers  
 Materials : Light alloy (aluminium)  
 Optional Stainless steel screws - gasket IP 66



DENOM. DESIGN.	N° MAX INTERRUTTORI MAGNETOTERMICI MAX N° OF CIRCUIT BREAKERS			N° MAX INTERRUTTORI MAGNETOTERMICI CON DIFFERENZIALE MAX N° OF CIRCUIT BREAKERS WITH RESIDUAL CURRENT DEVICE		
	2 poli 2 poles	3 poli 3 poles	4 poli 4 poles	2 poli 2 poles	3 poli 3 poles	4 poli 4 poles
Cassetta Enclosure						
EJB 755A	1 (63A)	1 (63A)	1 (63A)	1 (63A)	-	-
EJB 1076A	1 (63A)	1 (63A)	1 (63A)	1 (63A)	1 (63A)	1 (63A)
EJB 1286A	3 (25A)	3 (25A)	3 (25A)	3 (25A)	3 (25A)	3 (25A)
EJB 14107A	8 (25A)	5 (25A)	5 (25A)	4 (25A)	4 (25A)	2 (25A)
EJB 17129A	14 (25A)	12 (25A)	10 (25A)	10 (25A)	6 (25A)	6 (25A)
EJB 221410A	18 (25A)	16 (25A)	12 (25A)	12 (25A)	8 (25A)	8 (25A)

# EJB-544/SM

## CASSETTA CON INTERRUTTORE PER PROTEZIONE MOTORI ENCLOSURE WITH CIRCUIT BREAKERS FOR PROTECTION MOTOR

ESECUZIONE: EEx-d IIB II2G II2GD  
 CERTIFICATO: KEMA 01ATEX2257  
 INSTALLAZIONE: zona 1 - zona 2 - zona 21 - zona 22  
 T class: T6 - T5 (EN 50014)  
 T80°C - T 130°C (EN 50281-1-1)  
 T amb. standard -20°C +40°C  
 T amb. special -50°C +60°C

EXECUTION: EEx d IIB Group II2G II2GD  
 CERTIFICATE: KEMA 01ATEX2257  
 INSTALLATION: zone 1 - zone 2 - zone 21 - zone 22  
 T class: T6 - T5 (EN 50014)  
 T80°C - T 130°C (EN 50281-1-1)  
 T amb. standard -20°C +40°C  
 T amb. special -50°C +60°C

Caratteristiche  
 Cassetta con interruttore per protezione motori  
 Materiali : Lega leggera  
 A richiesta Viti di acciaio inox - guarnizione IP 66

Features  
 Enclosure with circuit breaker for protection of motors  
 Materials : Light alloy (aluminium)  
 Optional Stainless steel screws - gasket IP 66



DENOMINAZIONE DESIGNATION	CORRENTE CURRENT	POTENZA NOM. RATED POWER	POTENZA NOM. RATED POWER
sigla - item	[A]	Kw@230V	Kw@400V
EJB 544/SM 01	0,10 ÷ 0,16	-	-
EJB 544/SM 02	0,16 ÷ 0,25	-	0,06
EJB 544/SM 03	0,25 ÷ 0,4	0,06	0,09
EJB 544/SM 04	0,40 ÷ 0,63	-	0,12
EJB 544/SM 05	0,63 ÷ 1	-	0,25
EJB 544/SM 06	1 ÷ 1,6	0,25	0,37
EJB 544/SM 07	1,6 ÷ 2,5	0,37	0,75
EJB 544/SM 08	2,5 ÷ 4	0,75	1,1
EJB 544/SM 10	4 ÷ 6,30	1,1	2,2
EJB 544/SM 14	6 ÷ 10	2,20	3
EJB 544/SM 16	9 ÷ 14	3	5,5
EJB 544/SM 20	13 ÷ 18	4	7,5
EJB 544/SM 21	17 ÷ 23	5,5	9
EJB 544/SM 22	20 ÷ 25	5,5	11
EJB 544/SM 32	24 ÷ 32	7,5	15

# EFSC

ESECUZIONE: EEx-d IIB II2GD  
IP 65  
CERTIFICATO: CESI 02ATEX140  
T class: T6 - T85°C  
T amb. standard -20°C +50°C

EXECUTION: EEx d IIB Group II2GD  
IP 65  
CERTIFICATE: CESI 02ATEX140  
T class: T6 - T85°C  
T amb. standard -20°C +50°C

**Caratteristiche**  
Custodia in lega leggera con viteria in acciaio inox.  
Verniciatura esterna epossivinilica RAL 7000.

**A richiesta**  
Disponibili con manovra lucchettabile.

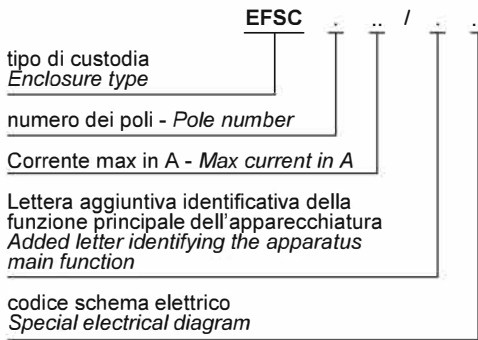
**Dati di targa**  
I max = 63A (in AC1) - V max = 690 V c.a.

**General data**  
Enclosure in light alloy with external bolts and screw in stainless steel. RAL 7000 external epoxyvinyl coating.

**On request**  
Available with locking movement.

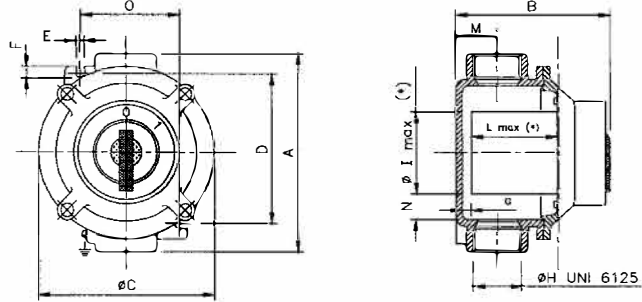
**Rating**  
I max = 63A (in AC1) - V max = 690 V c.a.

Identificazione costruzione elettrica  
Electrical apparatus identification



# INTERRUTTORE - COMMUTATORE - DEVIATORE - INVERTITORE - INSERITORE SWITCH - COMMUTATOR - DEVIATION SWITCH - REVERSER - CONNECTOR

Fino a Up to	DIMENSIONI											PESO WEIGHT (g)		
	A	B	C	D	E	F	G	H	I	L	M		N	O
Max 32A	156	118	131	108	7	15	5	1"	70	63	30	13	76	1300
Max 63A	195	145	167	140	9	19	7	1 1/2"	90	81	41	21	95	2200



DENOM. DESIG.	ELEMENTI DI CONTATTO CONTACT ELEMENTS	LETTERA AGG. IDENTIFICATIVA ADDED IDENTIFYING LETTER	PESO WEIGHT (g)
sigla - item			(g)
EFSC 325	INTERRUTTORE TRIPOLARE THREE POLE SWITCH	-	1300
EFSC 425	INTERRUTTORE TETRAPOLARE TETRAPOLAR SWITCH	-	1300
EFSC 332	INTERRUTTORE TRIPOLARE THREE POLE SWITCH	-	1300
EFSC 432	INTERRUTTORE TETRAPOLARE TETRAPOLAR SWITCH	-	1300
EFSC 340	INTERRUTTORE TRIPOLARE THREE POLE SWITCH	-	2300
EFSC 440	INTERRUTTORE TETRAPOLARE TETRAPOLAR SWITCH	-	2300
EFSC 363	INTERRUTTORE TRIPOLARE THREE POLE SWITCH	-	2300
EFSC 463	INTERRUTTORE TETRAPOLARE TETRAPOLAR SWITCH	-	2300
EFSC...JC	(*)COMMUTATORE uno o più poli fino a 32A (*)COMMUTATOR one or several pole up to 32A	C	
EFSC...JD	(*)DEVIATORE uno o più poli fino a 32A (*)DEVIATION SWITCH one or several pole up to 32A	D	
EFSC...JI	(*)INVERTITORE uno o più poli fino a 32A (*)REVERSER one or several pole up to 32A	I	
EFSC...JM...	(*)INSERITORE uno o più poli fino a 32A (*)CONNECTOR one or several pole up to 32A	M	seguito dal codice dello schema Followed by diagram code

(\*) Dimensioni maxime del selettore - (\*) Maximum dimensions of selector switch

# IM - IMV INTERRUTTORI MAGNETICI PROXIMITY SWITCHES

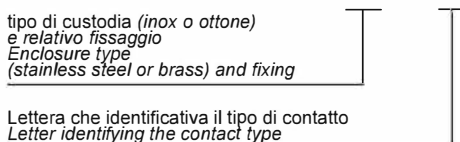
ESECUZIONE: EEx-d IIC II2GD IP 65  
CERTIFICATO: CESI 03ATEX033X  
T class: T6 - T85°C

EXECUTION: EEx d IIC Group II2GD IP 65  
CERTIFICATE: CESI 03ATEX033X  
T class: T6 - T85°C

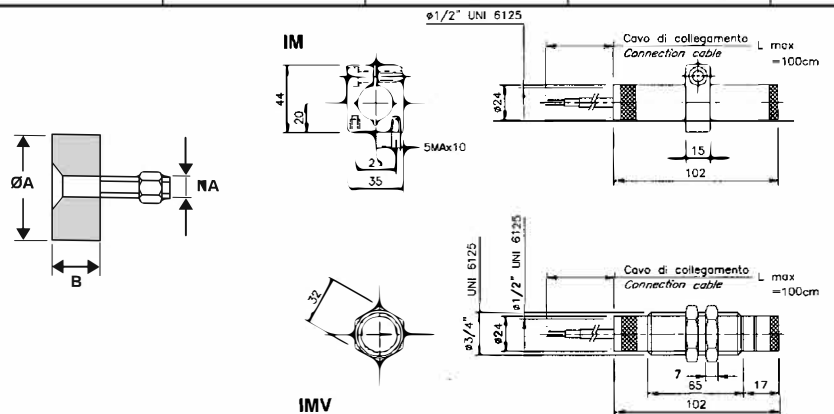
**Caratteristiche**  
Consentono un'elevata intensificazione di controlli senza contatto fisico. Ciò è soprattutto utile quando è necessario rilevare o contare oggetti con notevole velocità; inoltre non essendo sottoposti ad una meccanica hanno una durata praticamente illimitata. Ideali per impieghi in ambienti critici con presenza di oli, grassi, liquidi, polveri, ecc. L'azionamento dell'interruttore avviene mediante magnete permanente. Custodia esterna e accessori di fissaggio in acciaio inox ASI 316

**General data**  
They permit a high intensification of the control without physical contact. This is especially useful when recording or numerical items at a high velocity is necessary; furthermore not being permitted to mechanical wear their life is practically unlimited. Ideal for use in critical environments with presence of oil, greases, liquid, dust, etc. Switch actuation by means of a permanent-magnet. External enclosure and fixing accessories are ASI 316 stainless steel

Identificazione costruzione elettrica  
Electrical apparatus identification



DENOMINAZIONE DESIGNATION	CONTATTO CONTACT	SCHEMA DIAGRAM	CUSTODIA ENCLOSURE	PESO WEIGHT
sigla - item				(g)
IM / U	1 in deviazione 1 in deviation		In acciaio inox ASI 316 In stainless steel	370
IMO / U	1 in deviazione 1 in deviation		In ottone tropicalizzato ASI 316 In tropicalized brass	380



sigla - item	MAGNETE PERMANENTE PERMANENT MAGNET			DISTANZA DI AZIONAMENTO ACTUATION DISTANCE	PESO WEIGHT (g)
	A	B	MA		
M 1	23	7	3 x 15	3 + 7	15
M 2	23	11	4 x 20	5 + 12	20
M 3	23	17	5 x 22	12 + 25	60