



EVE...L series Lighting Fixture with LED

EVE-5050L, EVE-5060L and EVE-5060L1 series lighting fixtures are designed to provide an optimal replacement to the conventional incandescent lamps and to provide a valid alternative for the energy-saving lamps in hazardous areas where it's necessary to light up using light sources close to the operator and to the equipment.

Application sectors:



CERTIFICATION DATA

Classification:	Group II	Category 2GD		
Installation: EN 60079.14	zone 1 - zone 2 (Gas)	zone 21 - zone 22 (Dust)		
Marking:	CE 0722 Ex II 2GD Ex de IIC T6 Gb - Ex tb IIIC T85°C Db IP66			
Certification:	ATEX	CESI 12 ATEX 006		
	IEC Ex	IECEX CES 07.0004	All IEC Ex and TR CU certification data contact comm@antideflagrante.com	
	TR CU	AVAILABLE		
Standards:	CENELEC EN 60079-0: 2012, EN 60079-1: 2007, EN 60079-7: 2007, EN 60079-31: 2009 and EUROPEAN DIRECTIVE 2014/34/UE IEC 60079-0: 2011, IEC 60079-1: 2007, IEC 60079-7: 2007, IEC 60079-31: 2008 European Directive 2006/95 Low voltage European Directive 2004/108 Electromagnetic compatibility European Directive 2003/108 WEEE Waste electrical and electronic equipment European Directive 2011/64 RoHS			
Class temperature:	80°C (T6)			
Ambient temperature:	EV..5060L1 -20°C +40°C	EV..5050L -20°C +50°C		
Degree of protection:	IP66			



ORIGINAL PRODUCT

MECHANICAL FEATURES

Body:	Low copper content aluminium alloy
Globe:	Shock and temperature resistant borosilicate glass with aluminium shade ring
Gaskets:	Silicone acid/hydrocarbon resistant
Guard:	Electro-polished stainless steel. Can also be supplied on request without a guard as the lighting fixture has passed the glass breakage test (4 Joule EN60079-0 / IEC60079-0)
Mounting:	See "EV series dimensional drawings"
Bolts and screws:	Stainless steel
Coating:	Polyester coating Ral 7035 (Light grey)
Corrosion Resistance:	The STANDARD of the aluminium alloy used by manufacturer has passed the tests required by standards EN60068-2-30 (hot/humid cycles) and EN60068-2-11 (salt mist tests)

ELECTRICAL FEATURES

LED:	n. 3 LEDs for EVE-5050L, n. 7 LEDs for EVE-5060L and EVE-5060L1
Rated voltage:	230 Vac/dc, 110/230 Vac/dc only for EVE-5050L
Rated frequency:	50/60 Hz
Connection:	Direct connection to terminal board L, N, Pe. Section 4mm ²



Section view EVE-5050L

ACCESSORIES AVAILABLE / SPECIAL REQUESTS


Cable gland: for armoured cable or for non-armoured cable.

Special request $\text{Ex } 2\text{GD Ex d IIC T6 Gb Ex tb IIIC T85}^\circ\text{C IP66}$. Code example: **EVA-5050L**

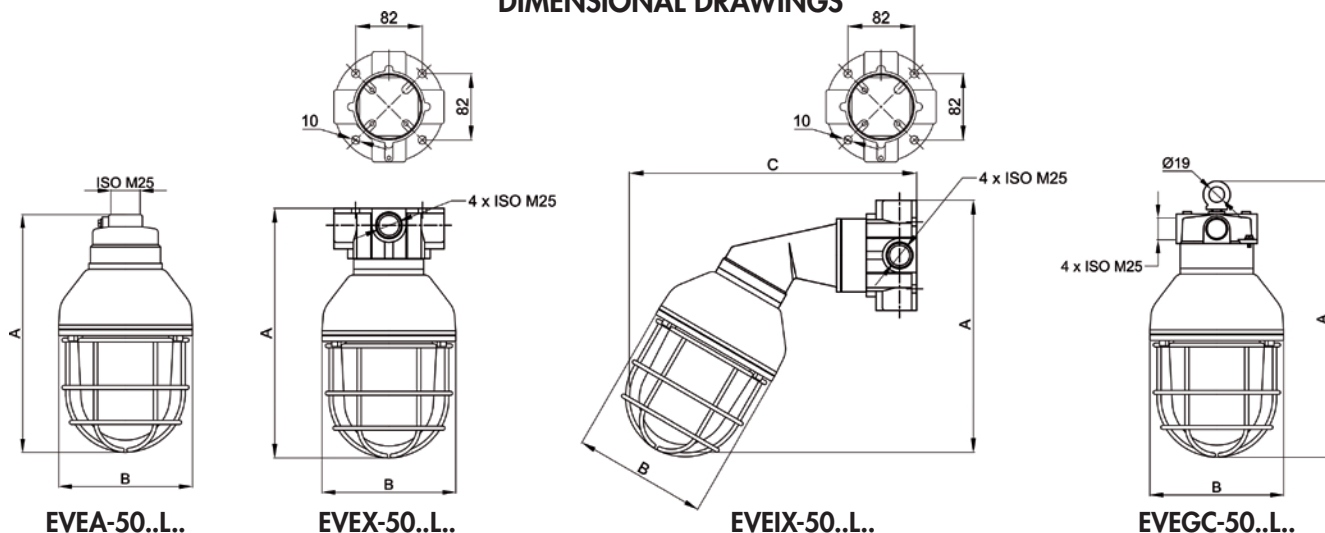
Rated voltage: 24 Vac/dc (code EV..-5050L/**24**)




EVE...L series Lighting Fixture with LED selection chart

Code	Dimensions mm			Lamp type	Watt	Class Ta =+40°C	Max surface temperature °C	Weight kg	 mm
	A	B	C						
EVEA-5050L	261	150	-	LED	8	T6	51	2,6	160x150x330
EVEA-5060L	323	170	-	LED	13	T6	54	3,2	190x170x390
EVEA-5060L1	323	170	-	LED	17	T6	57	3,2	190x170x390
EVEA-5050L	260	150	-	LED	8	T6	51	3,0	160x150x330
EVEA-5060L	322	170	-	LED	13	T6	54	3,9	190x170x390
EVEA-5060L1	322	170	-	LED	17	T6	57	3,9	190x170x390
EVEIX-5050L	285	150	310	LED	8	T6	51	3,5	190x170x390
EVEIX-5060L	339	170	344	LED	13	T6	54	4,1	260x210x490
EVEIX-5060L1	339	170	344	LED	17	T6	57	4,1	260x210x490
EVEGC-5050L	296	150	-	LED	8	T6	51	2,8	160x150x330
EVEGC-5060L	358	170	-	LED	13	T6	54	3,6	190x170x390
EVEGC-5060L1	358	170	-	LED	17	T6	57	3,3	190x170x390

DIMENSIONAL DRAWINGS



Lighting fixtures for loop-in/loop-out execution

Code	Dimension mm		Watt	Weight kg	 mm
	A	B			
EVE-5050L	300	150	8	2,7	160x150x330
EVE-5060L	358	170	13	4,0	190x170x390
EVE-5060L1	358	170	17	4,1	190x170x390
EVES-5050L	325	150	8	2,7	160x150x330
EVES-5060L	384	170	13	4,0	190x170x390
EVES-5060L1	358	170	17	4,1	190x170x390

DIMENSIONAL DRAWINGS

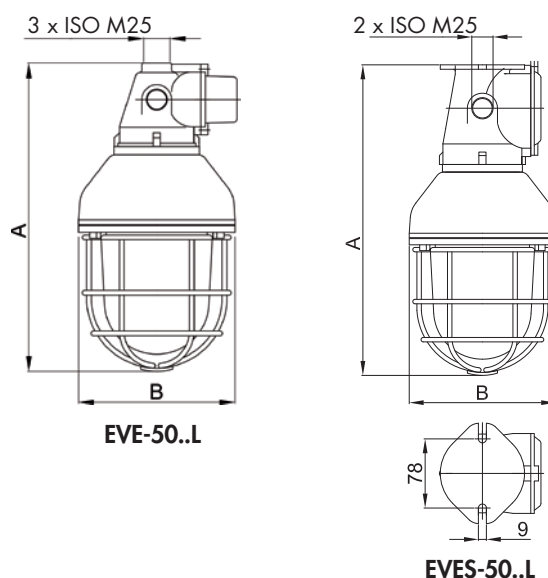




ILLUSTRATION	DESCRIPTION	MODEL	FEATURES	CODE	KEY
	LED plate with electronic circuit complete with diffuser, heat dissipator and frame.	EVE-5050L	n. 3 power LEDs. Diffuser in polycarbonate. Aluminium dissipator and frame	G-0571/1	
		EVE-5060L EVE-5060L1	n. 7 power LEDs. Diffuser in polycarbonate. Aluminium dissipator and frame	G-0572/1	
	Power supply electronic	EVE-5050L	90 - 264 Vac 50/60 Hz	RT-6LED	
		EVE-5060L	220 - 240 Vac 50/60 Hz	RV-16LED	
		EVE-5060L1	220 - 240 Vac 50/60 Hz	RV-17LED	
	Protective guard	EVE-5050L	Material: electro-polished stainless steel	G50-0417	
		EVE-5060L		G60-0417	
	OR gasket	Globo 50	Materiale: NBR	OR-4512SH70	
		Globo 60		K15-131	
	Ex e pendant mounting EVE		3 x ISO M25	G-0444	
	Ex e pendant mounting EVES		2 x ISO M25	G-0439	
	Globe with shade ring	EVE-5050L	Borosilicate glass globe Threaded aluminium shade ring	G50-0440CM	
		EVE-5060L		G60-0440CM	
	Pendant eyebolt		Material: galvanised steel	G0F-8	

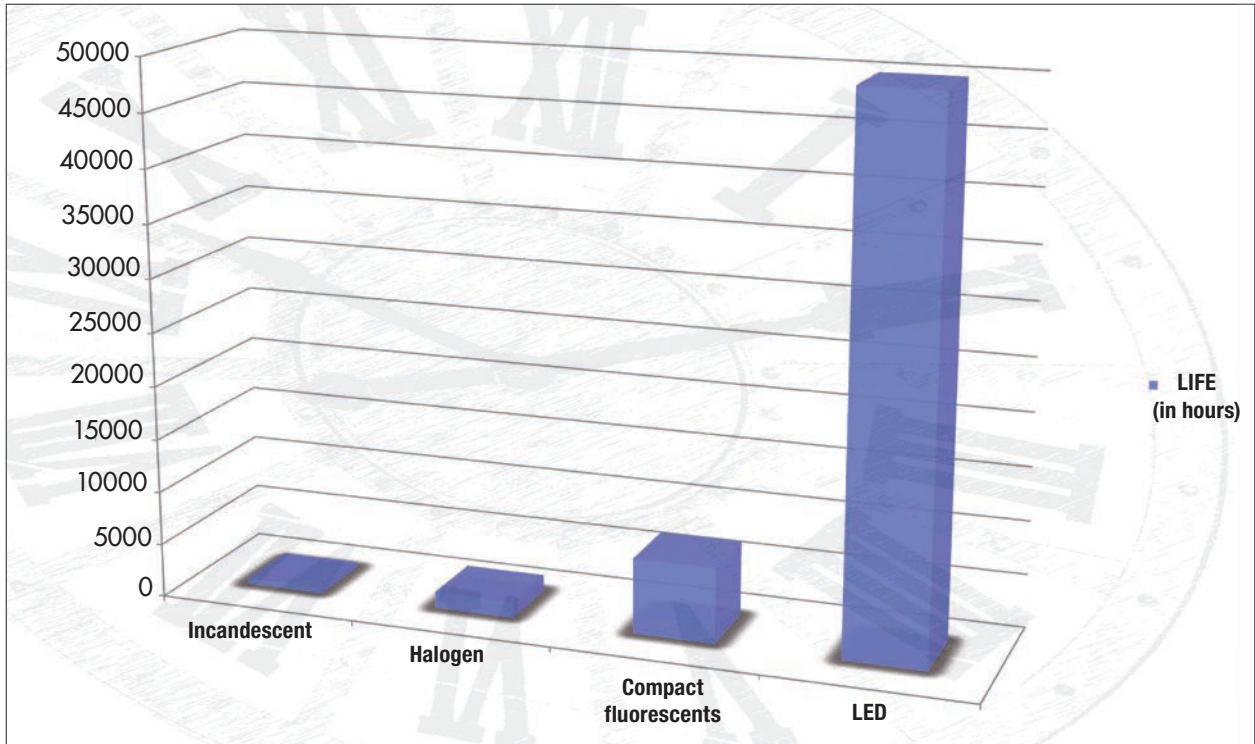


EVE...L series Accessories and spare parts available on request

ILLUSTRATION	DESCRIPTION	MODEL	FEATURES	CODE	KEY
	Pendant mounting EVEA		1 x ISO M25	G-0213I	
	Pendant mounting with eyebolt EVEGC		4 x ISO M25	G-0216I	
	Ceiling mounting EVEX		4 x ISO M25	G-0214I	
	Wall mounting with bracket EVEIX		4 x ISO M25	G-0215I	
	Reflector	EVE-5050L	White painted aluminium Stainless steel	G50-427 G50-427IN	 
		EVE-5060L..	White painted aluminium Stainless steel	G60-427 G60-427IN	 
	Dome reflector	EVE-5050L	Contact our Sales Office for availability		 
		EVE-5060L..	White painted aluminium	G60-427D	 
	30° inclined dome reflector	EVE-5050L	Contact our Sales Office for availability		 
		EVE-5060L..			 
	Cable gland		For models and codes, visit www.antideflagrante.com		 
	Articulated bracket for sloping mounting (have a look at installation and mounting methods)		Material: galvanised steel	G-0543	 
	Warning signs on the frame	On request	Materials: translucent film on plexiglass and aluminium frame	G-0513	 



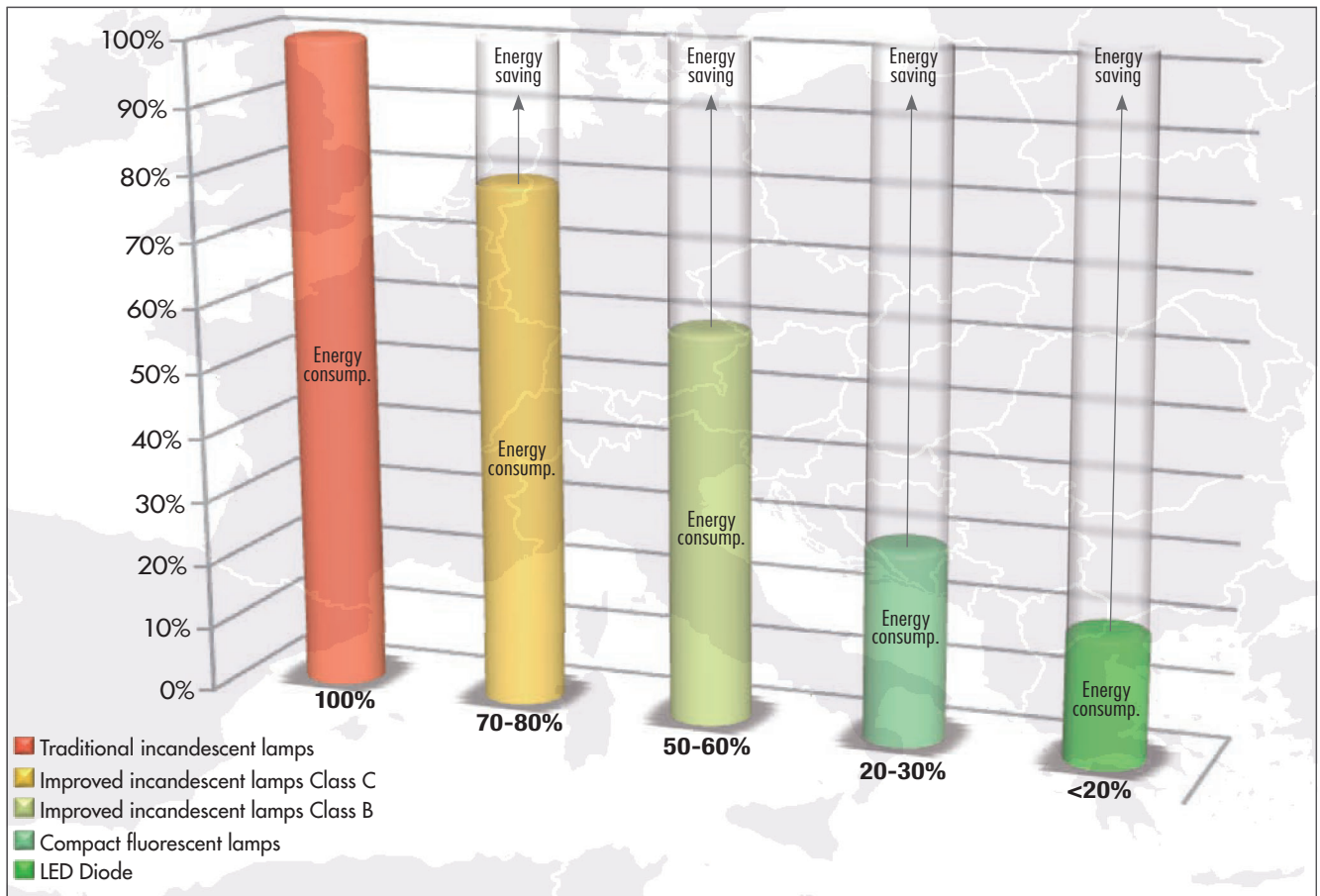
Estimate of average life period between several types of lamps



The respect of two basic conditions, the internal temperature and the intensity of current, guarantees a life of LEDs equal to 100,000 hours.

Comparison of consumption between different types of lamps

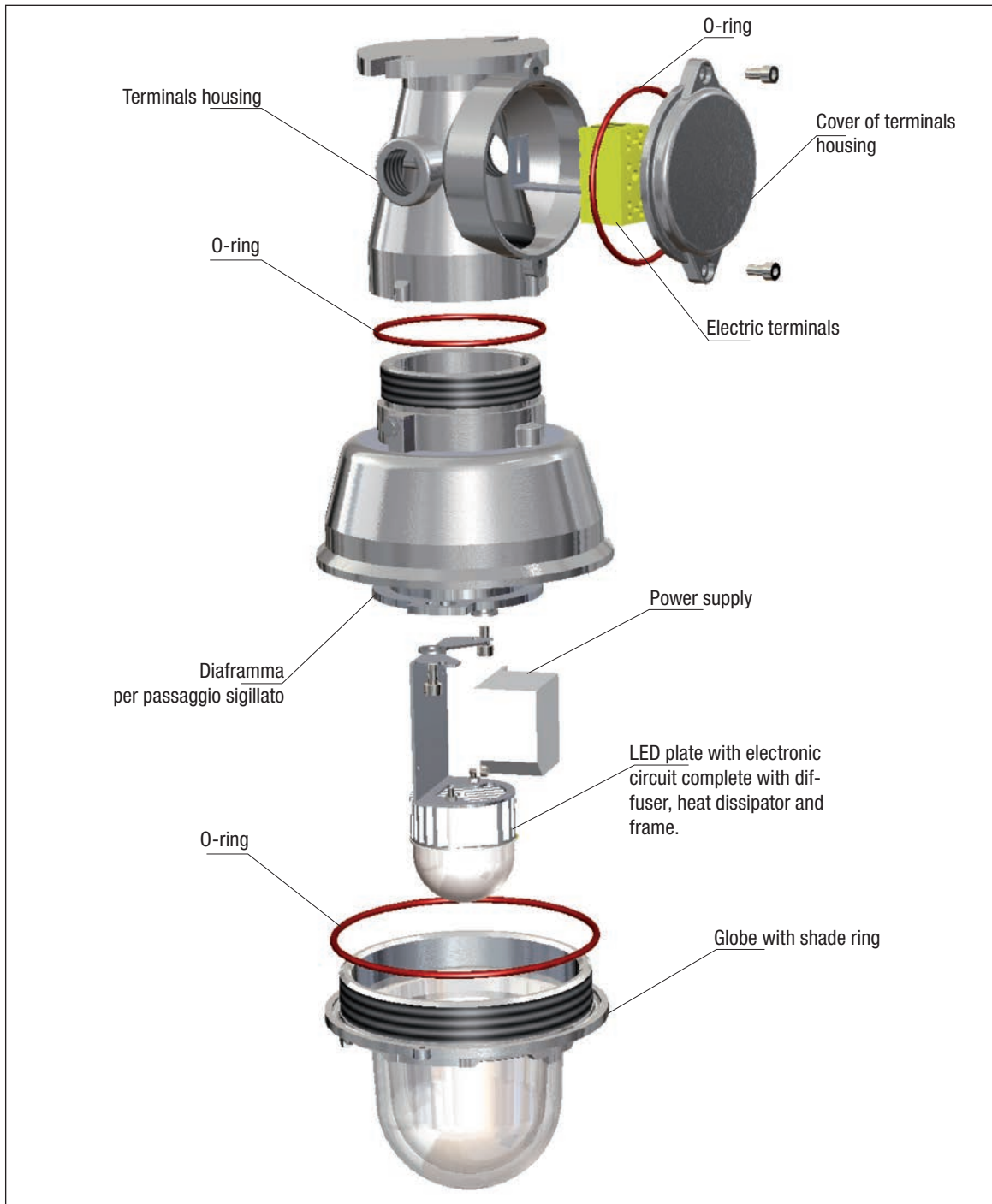
The return investment is 18 to 24 months without considering the savings in maintenance costs.





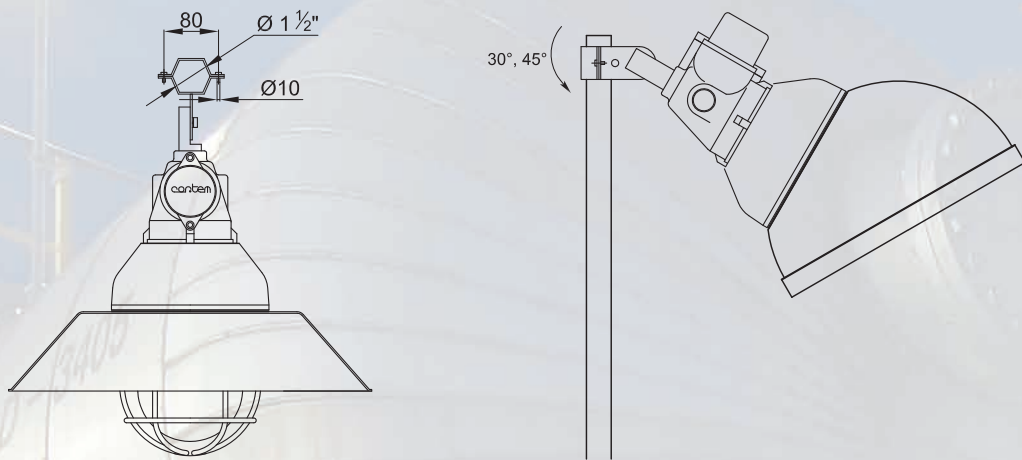
EVE...L series Lighting Fixture with LED

EXPLODED DIAGRAM OF EVE-5050L LIGHTING FIXTURES

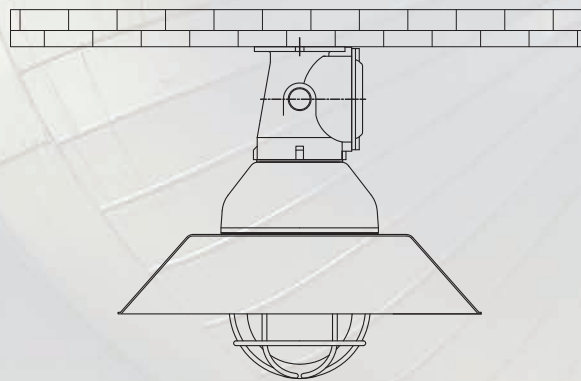




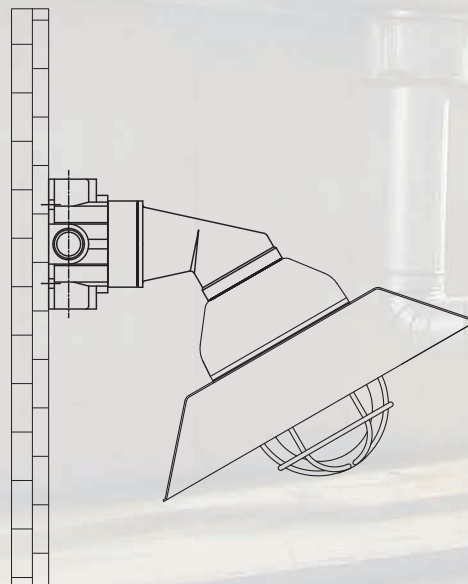
Example of mounting with articulated bracket



Example of ceiling mounting with lighting fixture for loop-in / loop-out



Example of wall mounting



Dimension in mm



Photometric diagram

EVE-5050L, PEACK CD EQUIVALENTS

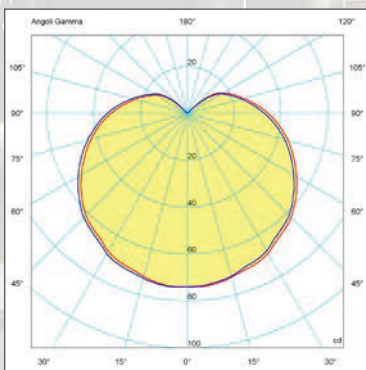
			
EVE-5050L (8W) LED	EVA (15W) Fluorescent	EVA (50W) Halogen	EVA (75W) Incandescent

EVE-5060L, PEACK CD EQUIVALENTS

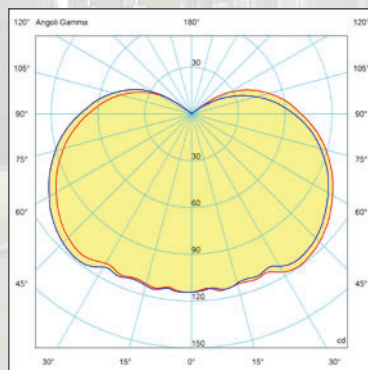
			
EVE-5060L (13W) LED	EVA (30W) Fluorescent	EVA (110W) Halogen	EVA (150W) Incandescent

EVE-5060L1, PEACK CD EQUIVALENTS

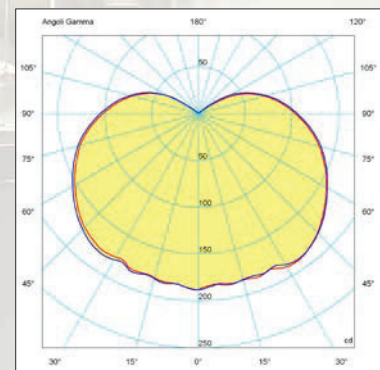
			
EVE-5060L1 (17W) LED	EVA (40W) Fluorescent	EVA (150W) Halogen	EVA (200W) Incandescent



EVE-5050L Luminous flux: 430 lm



EVE-5060L Luminous flux: 795 lm



EVE-5060L1 Luminous flux: 1200 lm

— = plane 90270
 — = plane 0180