

# FGAB series barrier cable glands for armoured cable

FGAB series barrier cable glands for armoured cable are used to ensure the IP 66/67 degree and the explosion protection in applications where prescriptions of installation are required according to EN-IEC 60079-14:2015 certification.



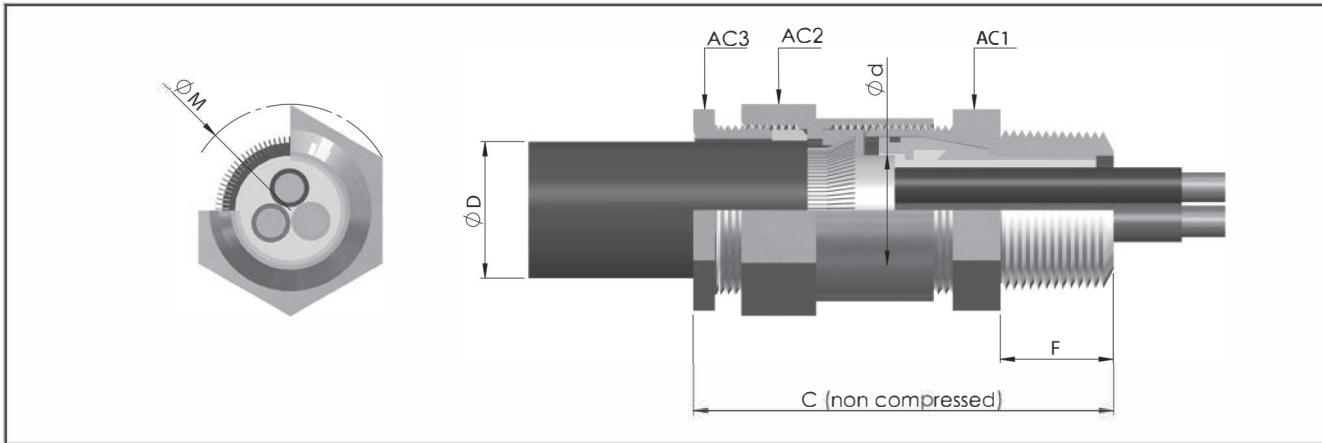
<b>Classification:</b> 2014/34/UE	<b>Group II</b>	<b>Category 2GD</b>
<b>Installation:</b> EN 60079.14	<b>zone 1 - zone 2 (Gas)</b>	<b>zone 21 - zone 22 (Dust)</b>
<b>Marking:</b>	<b>CE 0722 Ex II 2 GD - Ex d IIC Gb Ex e IIC Gb Ex tb IIC Db IP66/67</b>	
<b>Certification:</b>	<b>ATEX</b>	<b>CESI 00 ATEX 075</b>
	<b>IECEX</b>	<b>IECEX CES 14.0015X</b>
	<b>TR CU</b>	<b>AVAILABLE</b>
<b>Standards:</b>	<b>CENELEC EN 60079-0: 2012, EN 60079-1: 2007, EN 60079-7: 2007, EN 60079-31: 2009 and European Directive 2014/34/UE</b>	
	<b>IEC60079-0: 2011, IEC60079-1: 2007-04, IEC60079-31: 2008, IEC 60079-7: 2006-07 Directive RoHS 2002/95/CE</b>	
<b>Operating temperature:</b>	<b>-20°C +60°C</b>	
<b>Degree of protection:</b>	<b>IP66/67</b>	

Accessories upon request						
Locknut *	ISO thread	Nickel-plated brass	Shrouds black TPV made	Code	Nickel-plated brass earthing rings *	Code
	M20x1,5	<b>DL1IB</b>		<b>PGA1</b>		<b>A1311IB</b>
	M25x1,5	<b>DL2IB</b>		<b>PGA2</b>		<b>A2312IB</b>
	M32x1,5	<b>DL3IB</b>		<b>PGA3</b>		<b>A3313IB</b>
	M40x1,5	<b>DL4IB</b>		<b>PGA6R</b>		<b>A4314IB</b>
	M50x1,5	<b>DL5IB</b>		<b>PGA6R</b>		<b>A5315IB</b>
	M63x1,5	<b>DL6IB</b>		<b>PGA6</b>		<b>A6316IB</b>
	M75x1,5	<b>DL7IB</b>		<b>PGA7</b>		<b>A7317IB</b>
	M90x1,5	<b>DL8IB</b>		<b>PGA8</b>		<b>A8318IB</b>
	Stainless steel idented washers *		For ISO threading	Code	Adaptors and reducers RE... series	
			M20	<b>RD11IS/A4</b>		
			M25	<b>RD12IS/A4</b>		
			M32	<b>RD13IS/A4</b>		
			M40	<b>RD14IS/A4</b>		
			M50	<b>RD15IS/A4</b>		
M63			<b>RD16IS/A4</b>			

\* For different threads contact the sales office.



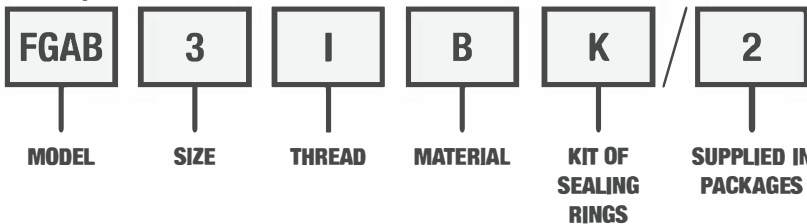
**comm@antideflagranticge.com**



**CABLE GLANDS SELECTION TABLE**

Code Nickel-plated brass	Thread	Dimensions in mm						Range		Armour thickness min-max	Weight Kg
		AC1	AC2	AC3	ØM	F	C	ØD min-max	Ød min-max		
FGAB1BK/3	1/2" ISO7/1	27	30	27	35	19	84	8 - 18	5 - 13	0,5 - 1,4	1,122 (3pc)
FGAB2BK/3	3/4" ISO7/1	32	35	32	41	19	85	17 - 25	11 - 18	0,5 - 1,8	1,251 (3pc)
FGAB3BK/2	1" ISO7/1	40	42	40	49	26	94,5	23 - 32	17 - 24	0,5 - 2	1,116 (2pc)
FGAB4BK	1 ¼" ISO7/1	53	60	50	69	26	98	29 - 39	23 - 30	0,9 - 2	1,170
FGAB5BK	1 ½" ISO7/1	60	67	55	77	26	98,5	36 - 46	29 - 38	1,2 - 2,5	1,305
FGAB6BK	2" ISO7/1	72	79	72	91	26	99	44 - 60	36 - 49	1,3 - 2,5	1,577
FGAB7BK	2 ½" ISO7/1	95	105	82	121	32	115	51 - 70	44 - 61	1,3 - 2,5	3,000
FGAB8BK	3" ISO7/1	105	115	103	133	32	117	65 - 84	59 - 74	1,5 - 3,2	3,650
FGAB1NBK/3	1/2" NPT	27	30	27	35	19	84	8 - 18	5 - 13	0,5 - 1,4	1,122 (3pc)
FGAB2NBK/3	3/4" NPT	32	35	32	41	19	85	17 - 25	11 - 18	0,5 - 1,8	1,251 (3pc)
FGAB3NBK/2	1" NPT	40	42	40	49	26	94,5	23 - 32	17 - 24	0,5 - 2	1,116 (2pc)
FGAB4NBK	1 ¼" NPT	55	60	50	69	26	98	29 - 39	23 - 30	0,9 - 2	1,170
FGAB5NBK	1 ½" NPT	60	67	55	77	26	98,5	36 - 46	29 - 38	1,2 - 2,5	1,305
FGAB6NBK	2" NPT	72	79	72	91	26	99	44 - 60	36 - 49	1,3 - 2,5	1,577
FGAB7NBK	2 ½" NPT	90	105	82	121	32	115	51 - 70	44 - 61	1,3 - 2,5	3,000
FGAB8NBK	3" NPT	105	115	103	133	32	117	65 - 84	59 - 74	1,5 - 3,2	3,650
FGAB1IBK/3	M20x1,5	27	30	27	35	16	81	8 - 18	5 - 13	0,5 - 1,4	1,122 (3pc)
FGAB2IBK/3	M25x1,5	32	35	32	41	16	82	17 - 25	11 - 18	0,5 - 1,8	1,251 (3pc)
FGAB3IBK/2	M32x1,5	40	42	40	49	16	84,5	23 - 32	17 - 24	0,5 - 2	1,116 (2pc)
FGAB4IBK	M40x1,5	55	60	50	69	16	88	29 - 39	23 - 30	0,9 - 2	1,170
FGAB5IBK	M50x1,5	60	67	55	77	16	88,5	36 - 46	29 - 38	1,2 - 2,5	1,305
FGAB6IBK	M63x1,5	72	79	72	91	18	89	44 - 60	36 - 49	1,3 - 2,5	1,577
FGAB7IBK	M75x1,5	95	105	82	121	18	101	51 - 70	44 - 61	1,3 - 2,5	3,000
FGAB8IBK	M90x1,5	105	115	103	133	18	103	65 - 84	59 - 74	1,5 - 3,2	3,650

**Example of Order Code**



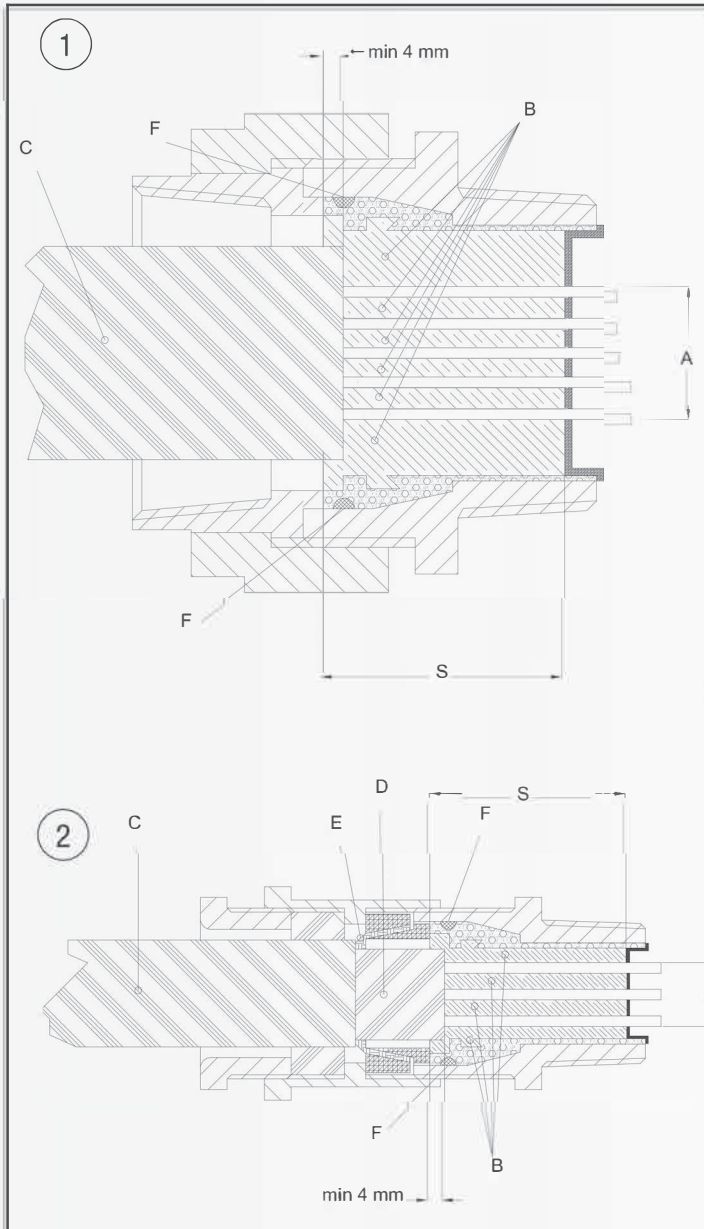
For sealing system, diameter and maximum number of conductors to be used see "Sealing method" chapter

**TECHNICAL NOTES:**

- The silicone o-ring for the IP protection for cylindrical threads (ISO metric) is supplied already assembled on cable gland
- Other materials upon request
- For "Ex i" intrinsically safe marking, blu nut RAL 5015 (example code FGAB5BKIA)



## Sealing method of barrier cable glands



### Note:

1. Amount of resin  $S \geq 20\text{mm}$
2. a= sealed conductors
3. b= bi-component resin
4. c= external sheat of cable
5. d= internal sheat of cable
6. e= cable armour
7. f= sealing ring for IP protection
8. min. 4 mm (sealing for external sheat of the cable mandatory)

### Examples of resined barrier cable glands:

1. FBF series for non-armoured cable
2. FGAB series for amoured cable
3. FB series for non-armoured cable

DIMENSIONS (mm)				
Conductors section mm <sup>2</sup>	Maximum number of conductors	Ø internal cable min-max	Ø external cable min-max	Size NPT cable gland
1,0	4	5-10	8-14	1/2"
1,5	7	5-13	8-18	1/2"
	12	11-18	17-25	3/4"
	27	17-24	23-32	1"
	37	23-30	29-39	1 1/4"
2,5	5	5-13	8-18	1/2"
	10	11-18	17-25	3/4"
	19	17-24	23-32	1"
4,0	3	5-13	8-18	1/2"
	5	11-18	17-25	3/4"
6,0	1	5-13	8-18	1/2"
	5	11-18	17-25	3/4"
10,0	1	5-13	8-18	1/2"
	3	11-18	17-25	3/4"
	5	17-24	23-32	1"



DIMENSIONS (mm)				
Conductors section mm <sup>2</sup>	Maximum number of conductors	Ø internal cable min-max	Ø external cable min-max	Size NPT cable gland
16,0	1	5-13	8-18	1/2"
	2	11-18	17-25	3/4"
	4	17-24	23-32	1"
	5	23-30	29-39	1 1/4"
25,0	1	5-13	8-18	1/2"
	1	11-18	17-25	3/4"
	3	17-24	23-32	1"
	5	23-30	29-39	1 1/4"
35,0	1	5-13	8-18	1/2"
	1	11-18	17-25	3/4"
	3	17-24	23-32	1"
	5	23-30	29-39	1 1/4"
50,0	1	11-18	17-25	3/4"
	1	17-24	23-32	1"
	3	23-30	29-39	1 1/4"
	4	29-38	36-46	1 1/2"
	5	36-49	44-60	2"
70,0	1	11-18	17-25	3/4"
	1	17-24	23-32	1"
	2	23-30	29-39	1 1/4"
	4	29-38	36-46	1 1/2"
	5	36-49	44-60	2"
95,0	1	17-24	23-32	1"
	1	23-30	29-39	1 1/4"
	2	29-38	36-46	1 1/2"
	5	36-49	44-60	2"
120,0	1	17-24	23-32	1"
	1	23-30	29-39	1 1/4"
	1	29-38	36-46	1 1/2"
	4	36-49	44-60	2"
150,0	1	17-24	23-32	1"
	1	23-30	29-39	1 1/4"
	1	29-38	36-46	1 1/2"
	3	36-49	44-60	2"
	4	44-61	51-70	2 1/2"
185,0	1	23-30	29-39	1 1/4"
	1	29-38	36-46	1 1/2"
	1	36-49	44-60	2"
	4	44-61	51-70	2 1/2"
240,0	1	23-30	29-39	1 1/4"
	1	29-38	36-46	1 1/2"
	1	36-49	44-60	2"
	3	44-61	51-70	2 1/2"
	4	59-74	65-84	3"
300,0	1	29-38	36-46	1 1/2"
	1	36-49	44-60	2"
	1	44-61	51-70	2 1/2"
	4	59-74	65-84	3"
400,0	1	23-30	29-39	1 1/4"
	1	29-38	36-46	1 1/2"
	1	36-49	44-60	2"
	1	44-61	51-70	2 1/2"
500,0	1	29-37,5	36-46	1 1/2"
	1	36-48,5	44-60	2"
	1	44-61	51-70	2 1/2"
630,0	1	29-38	36-46	1 1/2"
	1	36-49	44-60	2"
	1	44-61	51-70	2 1/2"

