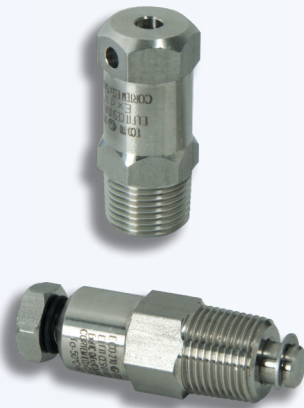




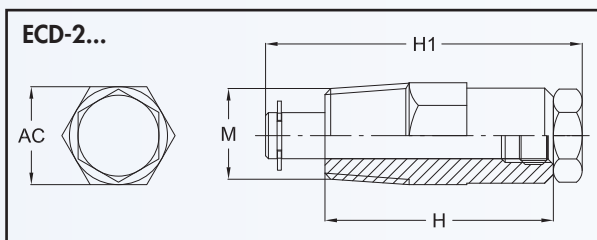
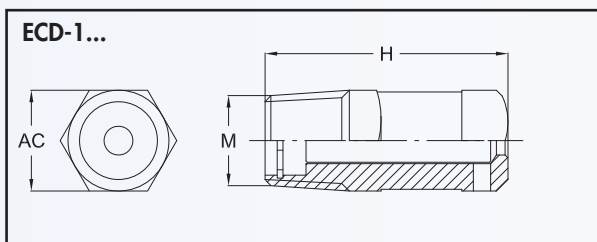
Drain and breather valves are suitable for use in any type of explosion proof enclosure to drain the condensation and vapours developed inside the enclosure.



Classification: 2014/34/UE	Group II	Category 2GD	
Installation: EN 60079.14	zone 1 - zone 2 (Gas)		ECD-1...
	zone 1 - zone 2 (Gas)	zone 21 - zone 22 (Dust)	ECD-2...
Marking:	CE 0722 Ex II 2 G Ex d IIC/IIB Gb		ECD-1...
	CE 0722 Ex II 2 GD Ex d IIC/IIB - Ex e IIC Gb Ex tb IIIC Db IP66		ECD-2...
Certification:	ATEX	CESI 01 ATEX 081U	
	IECEX	IECEX CES 14.0016U	All IEC Ex and TR CU certification CONTACT
	TR CU	AVAILABLE	comm@antideflagranticge.com

Standards:	CENELEC EN 60079-0: 2012, EN 60079-1: 2007, EN 60079-7: 2007, EN 60079-31: 2009 and EUROPEAN DIRECTIVE 2014/34/UE IEC60079-0: 2011, IEC60079-1: 2007-04, IEC 60079-7: 2006-07, IEC60079-31: 2008 Directive RoHS 2002/95/CE
Operating temp. (IIC):	-50°C +60°C
Operating temp. (IIB):	-50°C +150°C
Degree of protection:	IP66

Certificates are available connecting to comm@antideflagranticge.com



SELECTION TABLE OF ECD VALVES

Code In stainless steel AISI 316	Thread	Dimensions in mm			Use	Weight Kg
		H	H1	AC		
ECD110S	3/8" IS07/1	42	-	17	Drain	0,08
ECD115S	1/2" IS07/1	43	-	22	Drain	0,08
ECDS110S	3/8" IS07/1	42	-	17	Breather	0,10
ECD210S	3/8" IS07/1	40	55	17	Drain	0,11
ECD215S	1/2" IS07/1	40	55	22	Drain	0,20

TECHNICAL NOTES:

- Available also in aluminium (example code ECD110)
- Available also with NPT thread (example code ECD110NS)
- Available also with ISO METRIC thread



**comm@antideflagrangice.com**

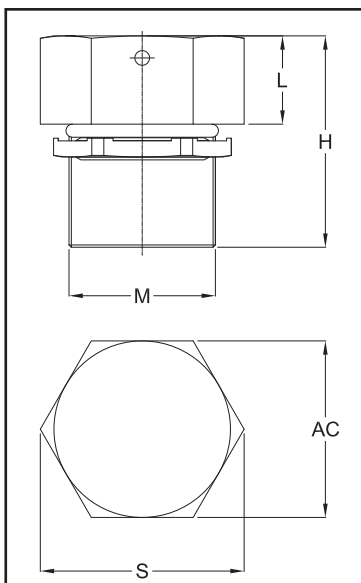
Automatic drainage and breather valves ECDE series are suitable to be used on increased safety, intrinsically safety or watertight enclosures to facilitate the elimination of condensation or vapors developed inside. Thanks to a precise mechanism, it is possible to obtain a continuous drainage and breathing of the junction box, protecting it from the possible formations of internal condensation and thus avoiding the periodic manual discharge, while ensuring a suitable IP degree of protection.



Classification: 2014/34/UE	Group II	Category 2GD
Installation: EN 60079.14	zone 1 - zone 2 (Gas)	zone 21 - zone 22 (Dust)
Marking:	CE 0722 Ex II 2 GD Ex eb IIC Gb Ex tb IIIC Db IP66	
Certification:	ATEX	CML 16 ATEX 1351X
	IECEX	IECEX CML16.0124X All IEC Ex certification contact comm@antideflagrangice.com

Standards:	CENELEC EN 60079-0: 2012, EN 60079-7: 2015, EN 60079-31: 2014 and EUROPEAN DIRECTIVE 2014/34/UE IEC60079-0: 2011, IEC 60079-7: 2015, IEC60079-31: 2013 Directive RoHS 2002/95/CE
Ambient temp.:	-60°C +150°C
Degree of protection:	IP66

Certificates are available connecting to comm@antideflagrangice.com



SELECTION TABLE OF ECDE VALVES							
Code In stainless steel AISI 316	Code In nickel- plated brass	Thread	Dimensions in mm				Use
			M	H*	L	S	
ECDE-B1S	ECDE-B1B	M20x1,5	26	13	28	24	Breather
ECDE-B2S	ECDE-B2B	M25x1,5	26	13	35	30	Breather
ECDE-D1S**	ECDE-D1B**	M20x1,5	26	13	28	24	Breather/Drain
ECDE-D2S**	ECDE-D2B**	M25x1,5	26	13	35	30	Breather/Drain

TECHNICAL NOTES:

- * Different lengths for thick junction boxes upon request.
- ** When the ECDE are intended for use as a drain, they must be installed at the bottom of the enclosure

