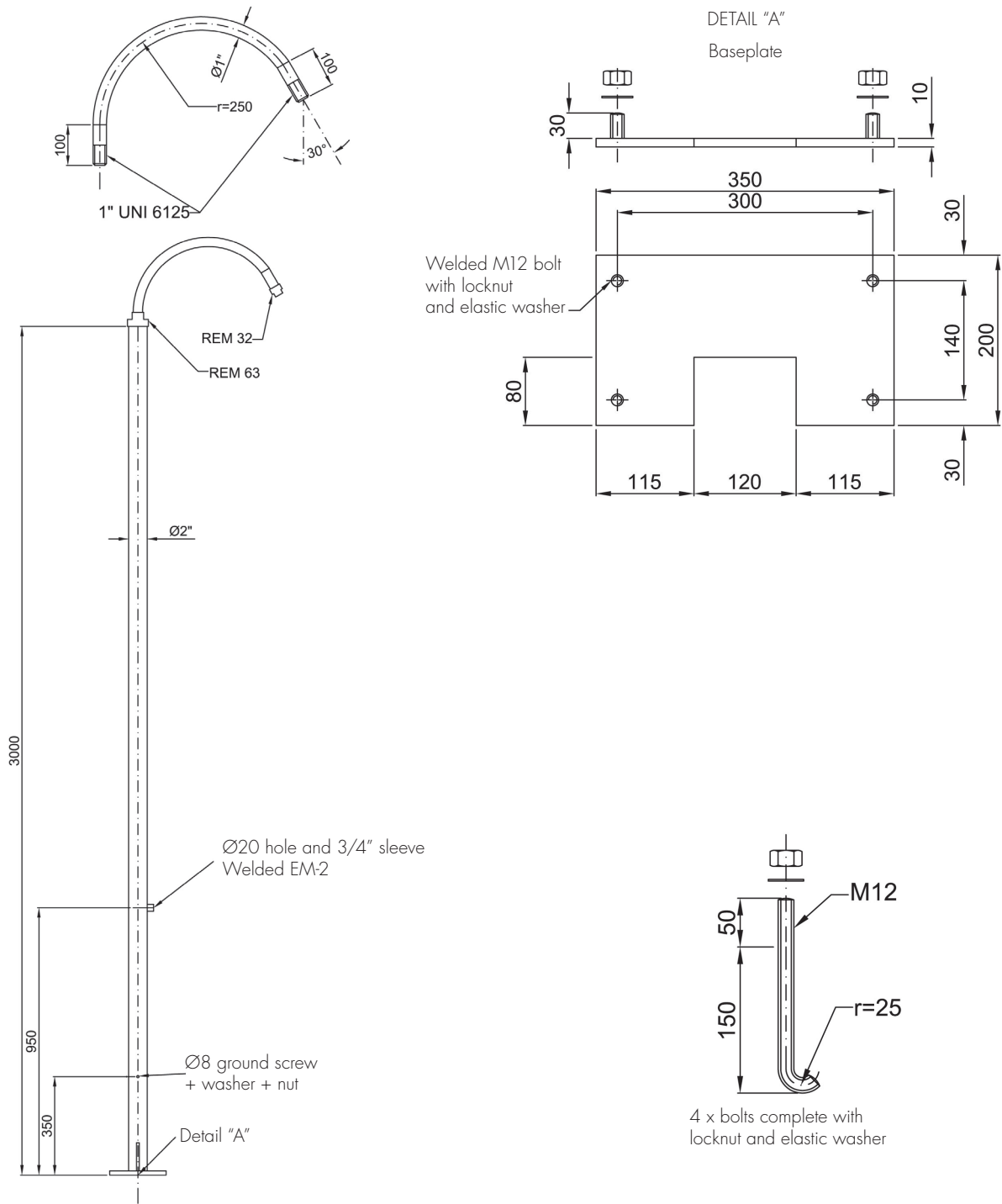




**POLE FOR MOUNTING  
EVA, EW, EWAT, EVEA, EVE, EWE, EWAE, EWNT SERIES LIGHTING FIXTURES**



Paline

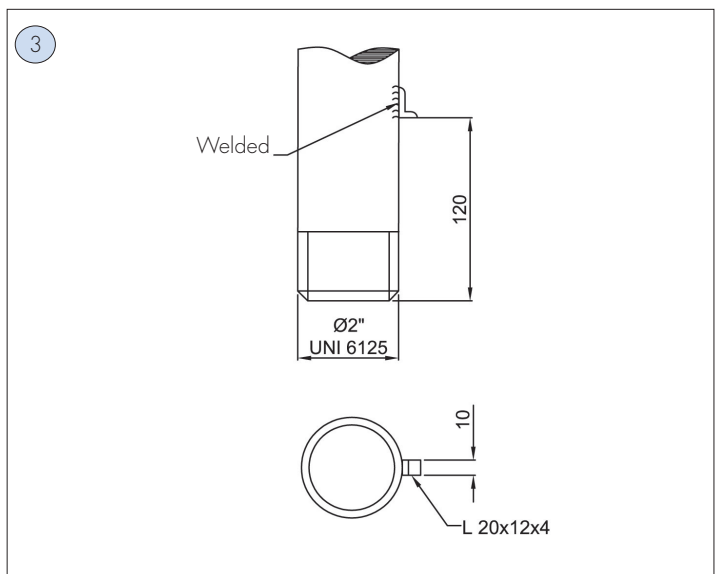
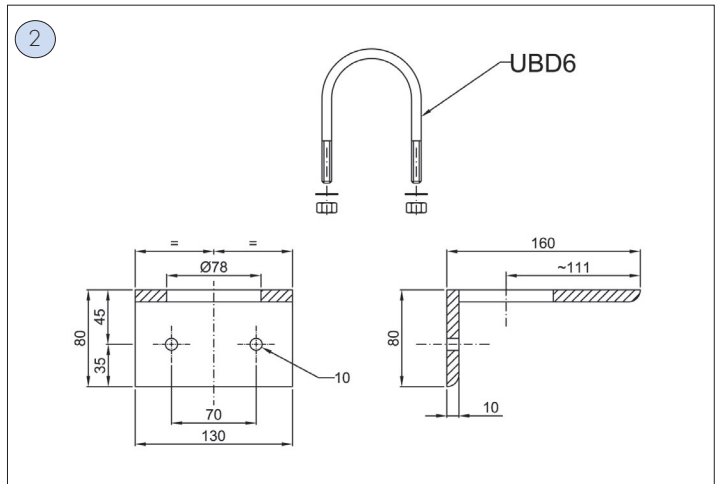
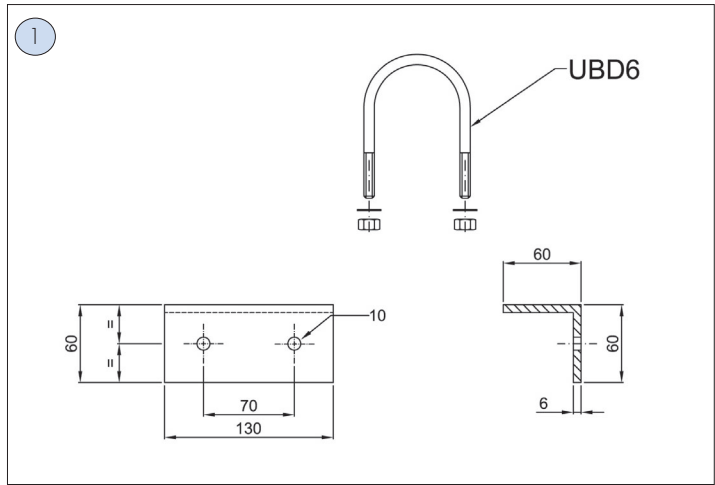
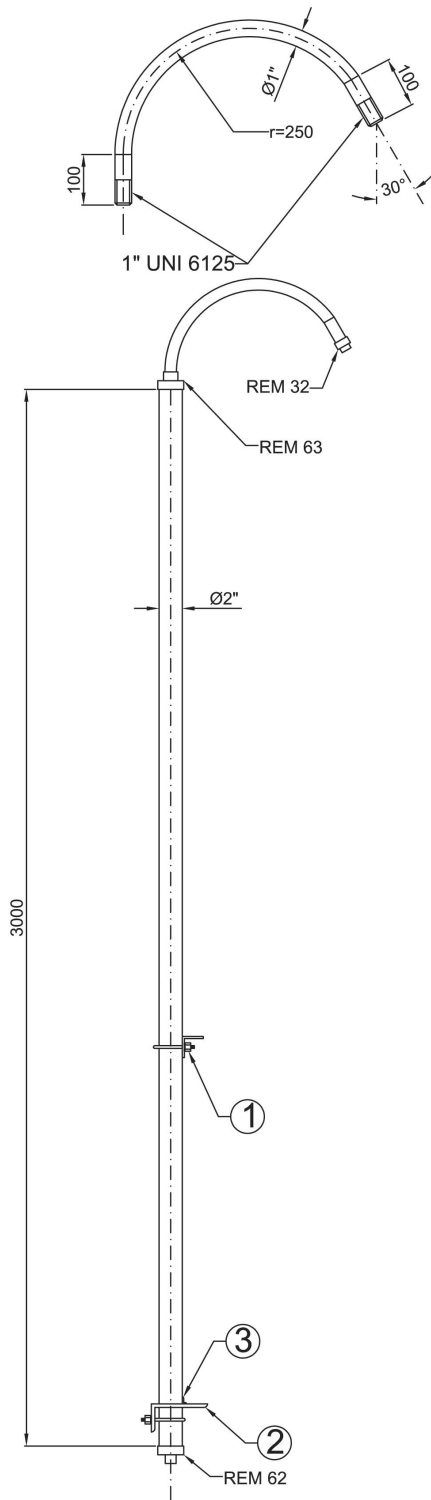
Dimensions in mm

CODE	DESCRIPTION
PAL-01	Pole supplied with welded plate and baseplate
PAL-02	Pole supplied with welded plate and bolts



**POLE FOR MOUNTING  
EVA, EW, EWAT, EVEA, EVE, EWE, EWAE, EWNT SERIES LIGHTING FIXTURES**

Paline

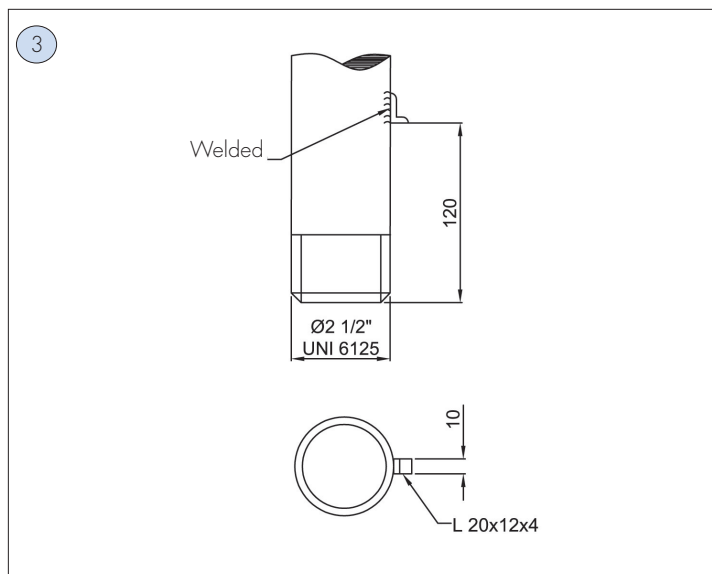
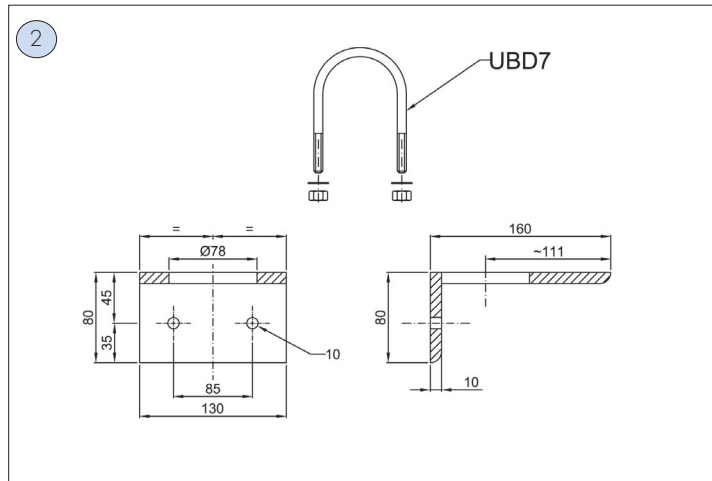
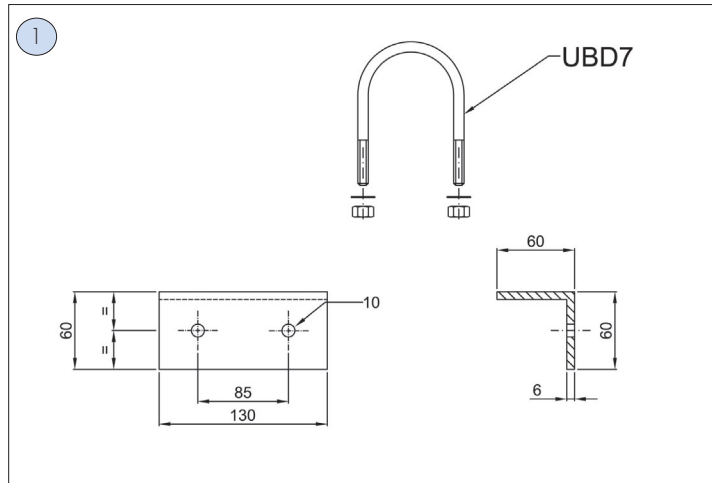
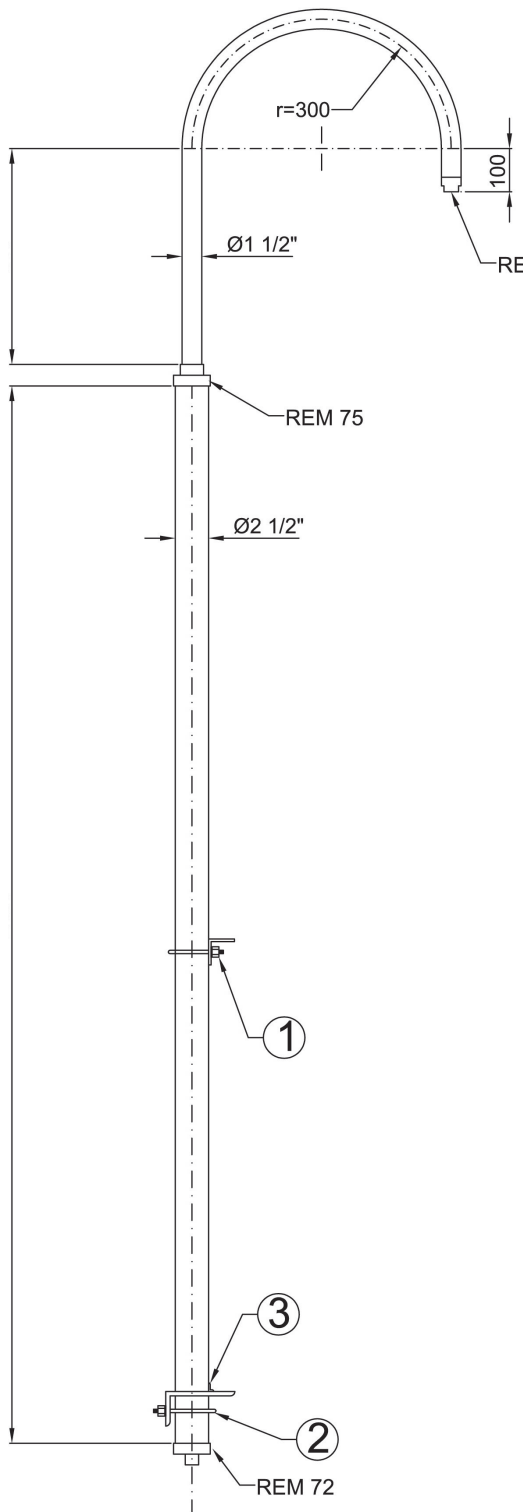


Dimensions in mm

CODE	DESCRIPTION
PAL-03	Pole supplied with angled mounting (see fig.1-2-3)



POLE FOR MOUNTING  
EVA, EW, EWAT, EVEA, EVE, EWE, EWAE, EWNT SERIES LIGHTING FIXTURES



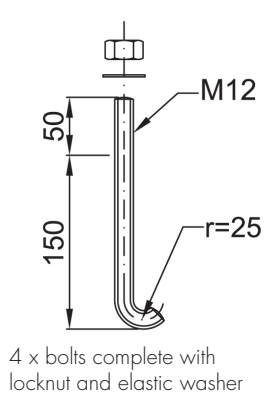
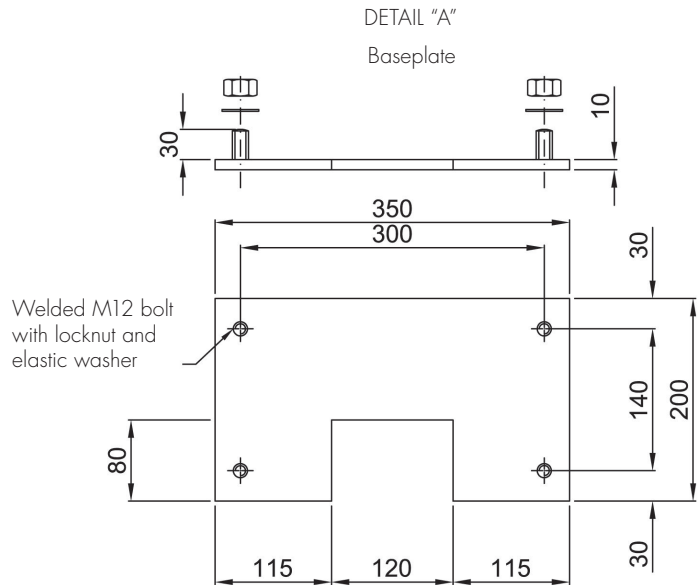
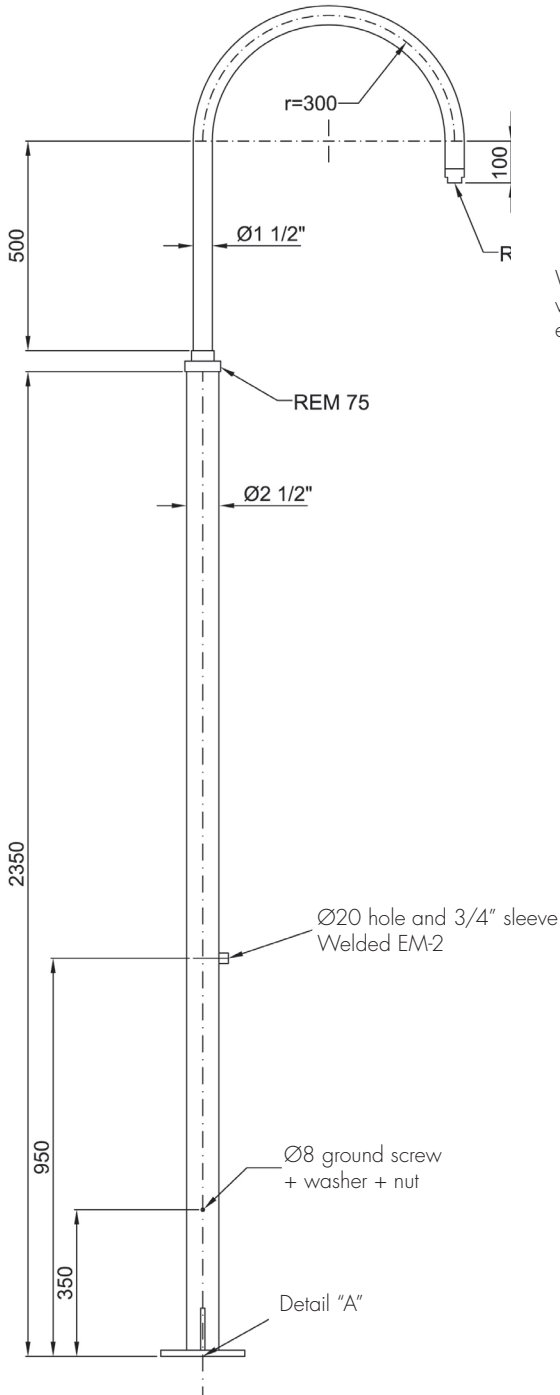
Dimensions in mm

CODE	DESCRIPTION
PAL-04	Pole supplied with angled mounting (see fig.1-2-3)



**POLE FOR MOUNTING  
EVA, EW, EWAT, EVEA, EVE, EWE, EWAE, EWNT SERIES LIGHTING FIXTURES**

Paline

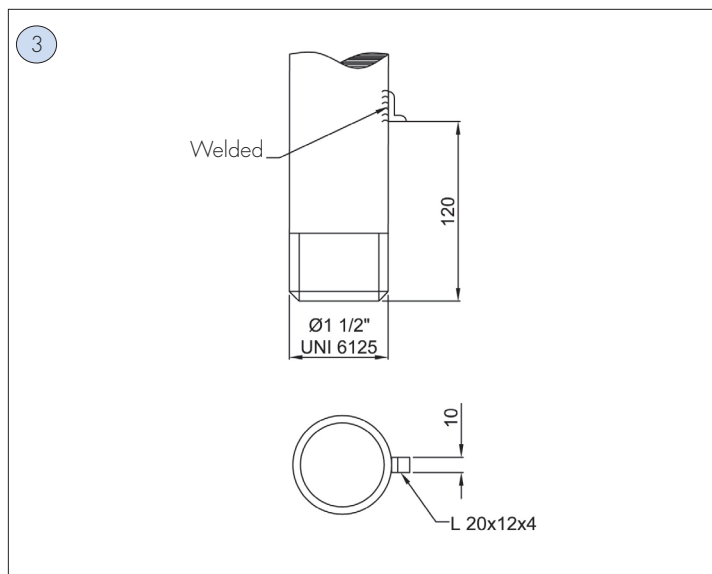
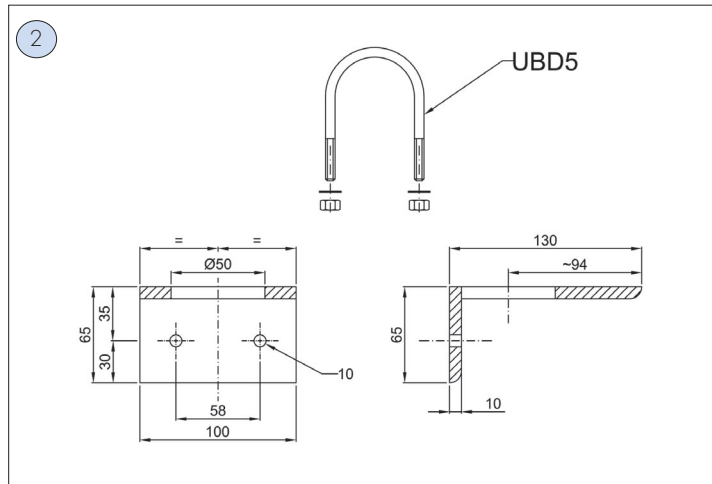
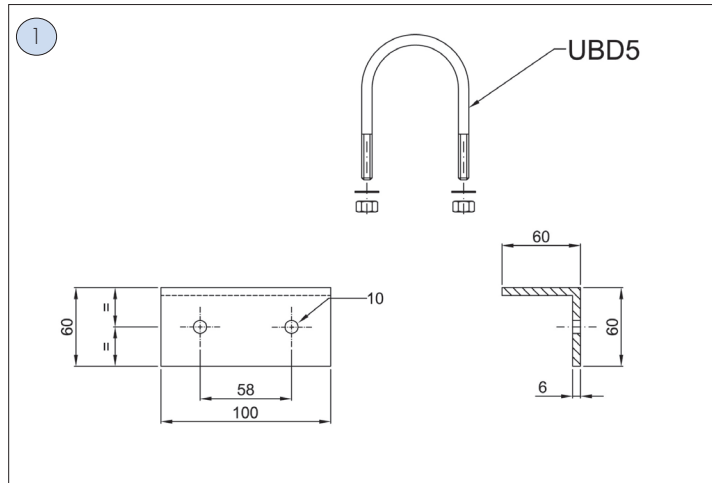
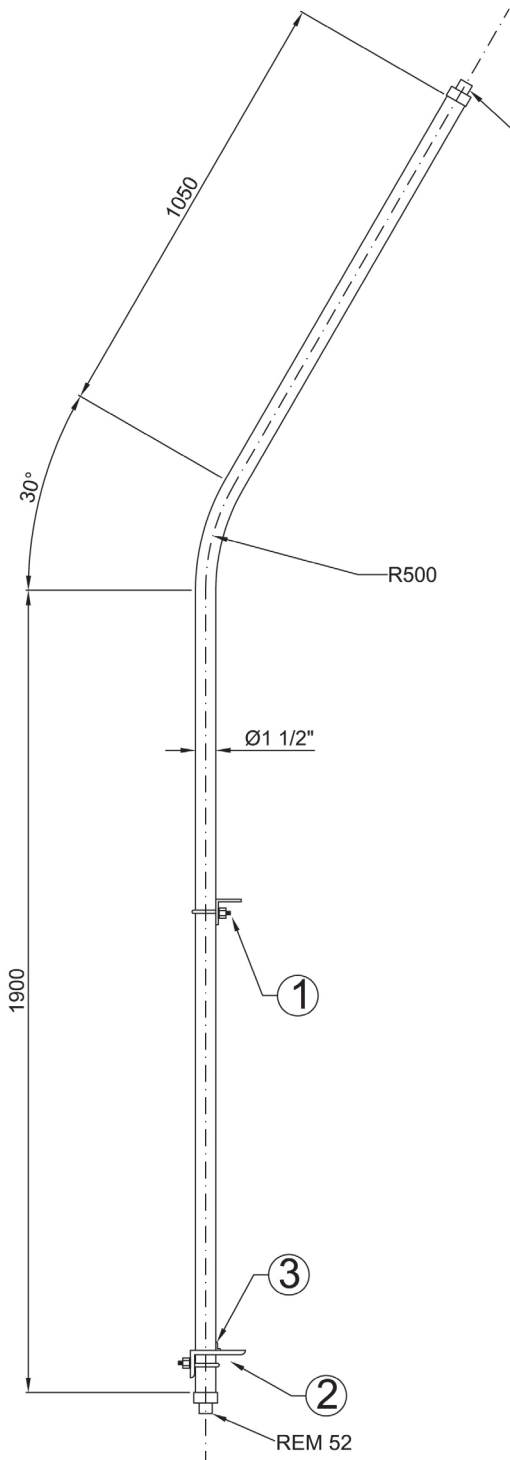


Dimensions in mm

CODE	DESCRIPTION
PAL-05	Pole supplied with welded plate and baseplate
PAL-06	Pole supplied with welded plate and bolts



POLE FOR MOUNTING  
FLFE, EXEN, EVF..E, EVFD, EXEL, FLF, AVN LIGHTING FIXTURES



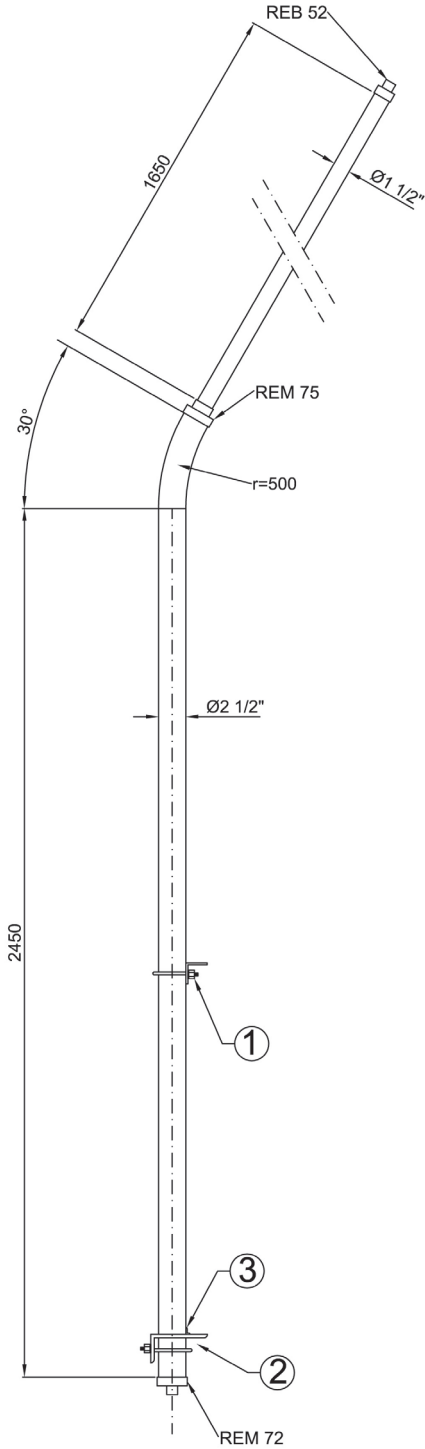
Dimensions in mm

CODE	DESCRIPTION
PAL-04	Pole supplied with angled mounting (see fig.1-2-3)

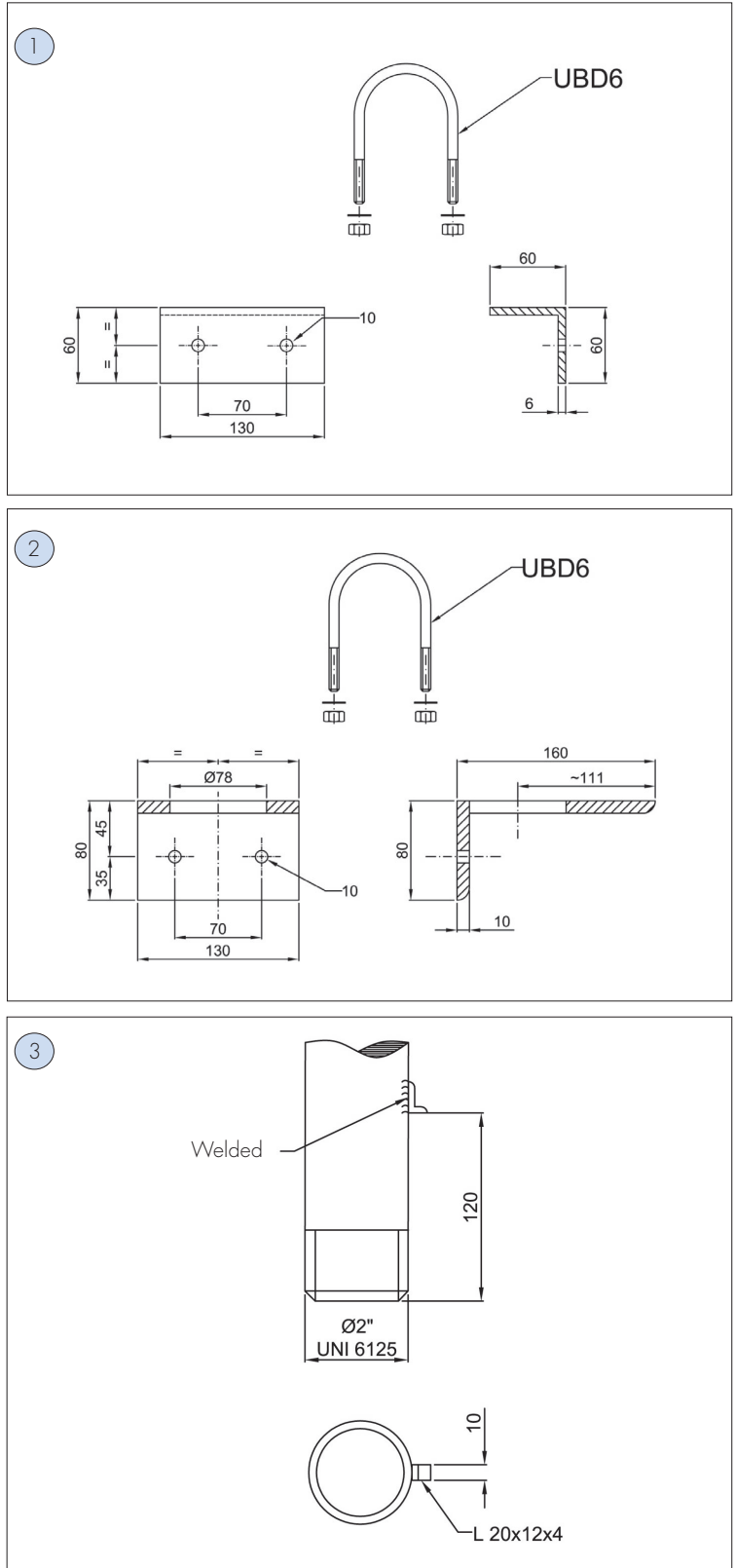


POLE FOR MOUNTING  
FLFE, EXEN, EVF..E, EVFD, EXEL, FLF, AVN LIGHTING FIXTURES

Paline



Dimensions in mm

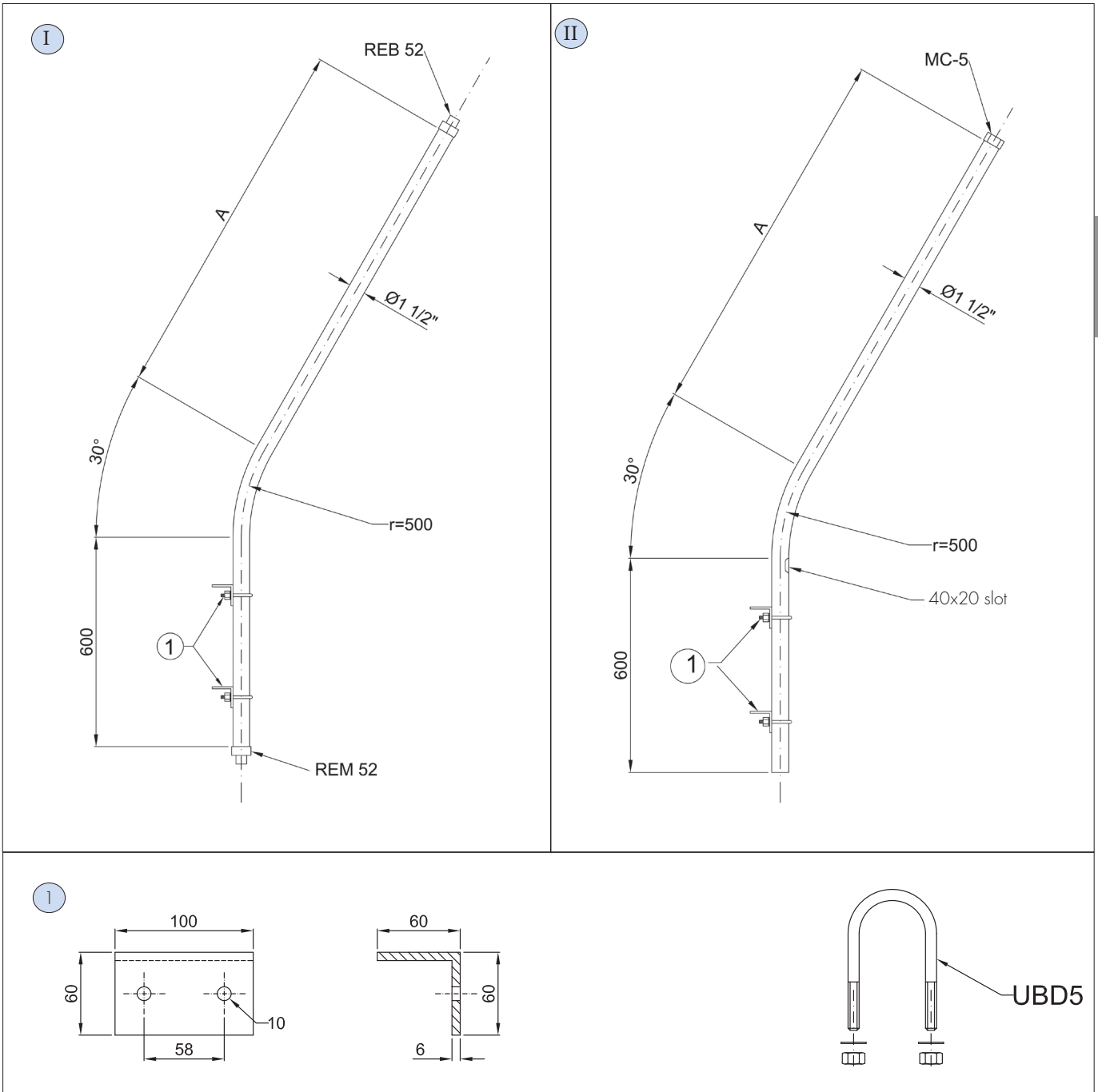


CODE	DESCRIPTION
PAL-08	Pole supplied with angled mounting (see fig.1-2-3)



**POLE FOR MOUNTING  
FLFE, EXEN, EVF.E, EVFD, EXEL, FLF, AVN LIGHTING FIXTURES**

Paline



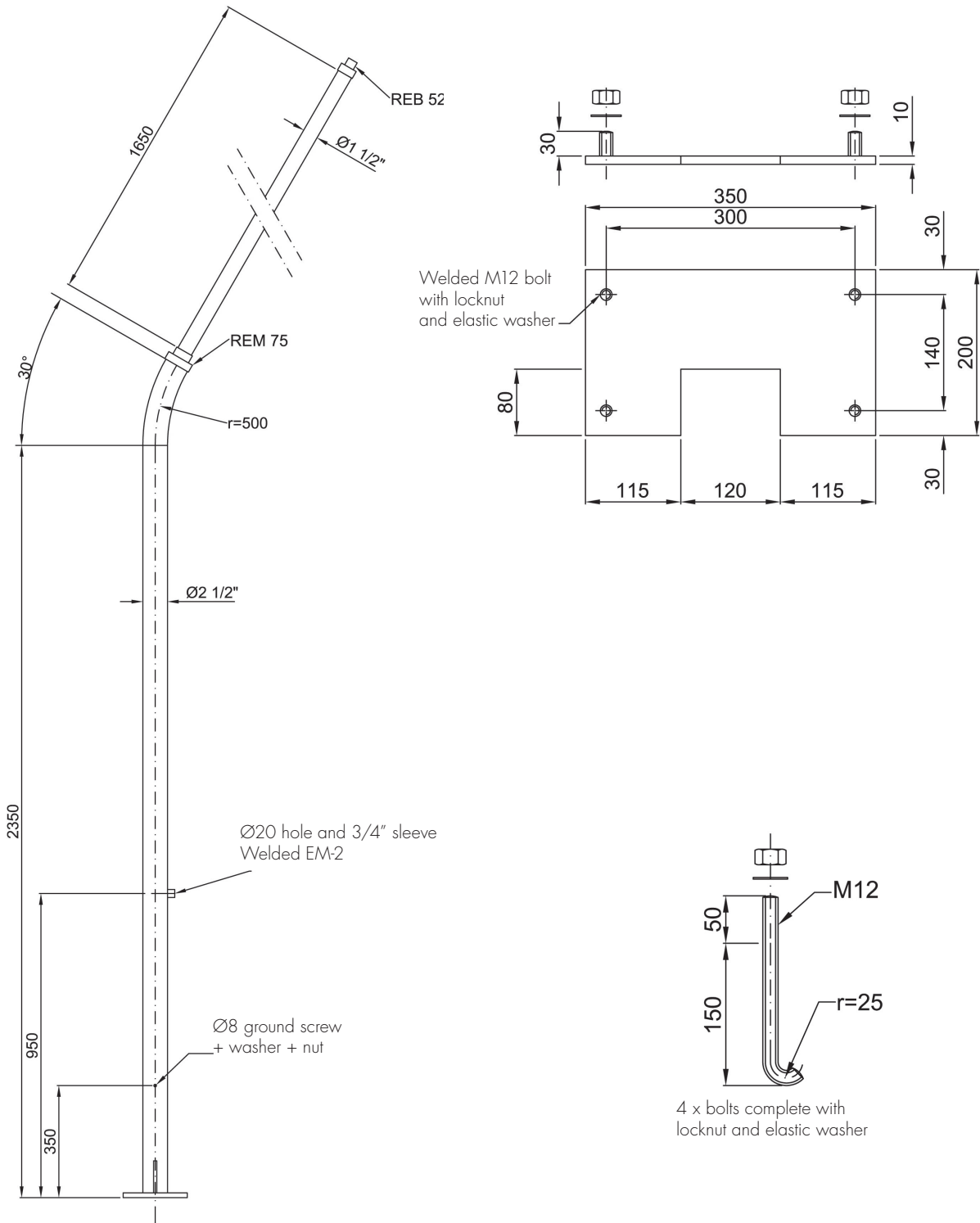
Dimensions in mm

CODE	DESCRIPTION	A (mm)
PAL-09	Pole(I) supplied with angled mounting (see fig.1)	1050
PAL-10	Pole(I) supplied with angled mounting (see fig.1)	1650
PAL-15	Pole(I) supplied with angled mounting (see fig.1)	1650
PAL-16	Pole(I) supplied with angled mounting (see fig.1)	1050



## POLE FOR MOUNTING FLFE, EXEN, EVF.E, EVFD, EXEL, FLF, AVN LIGHTING FIXTURES

Paline



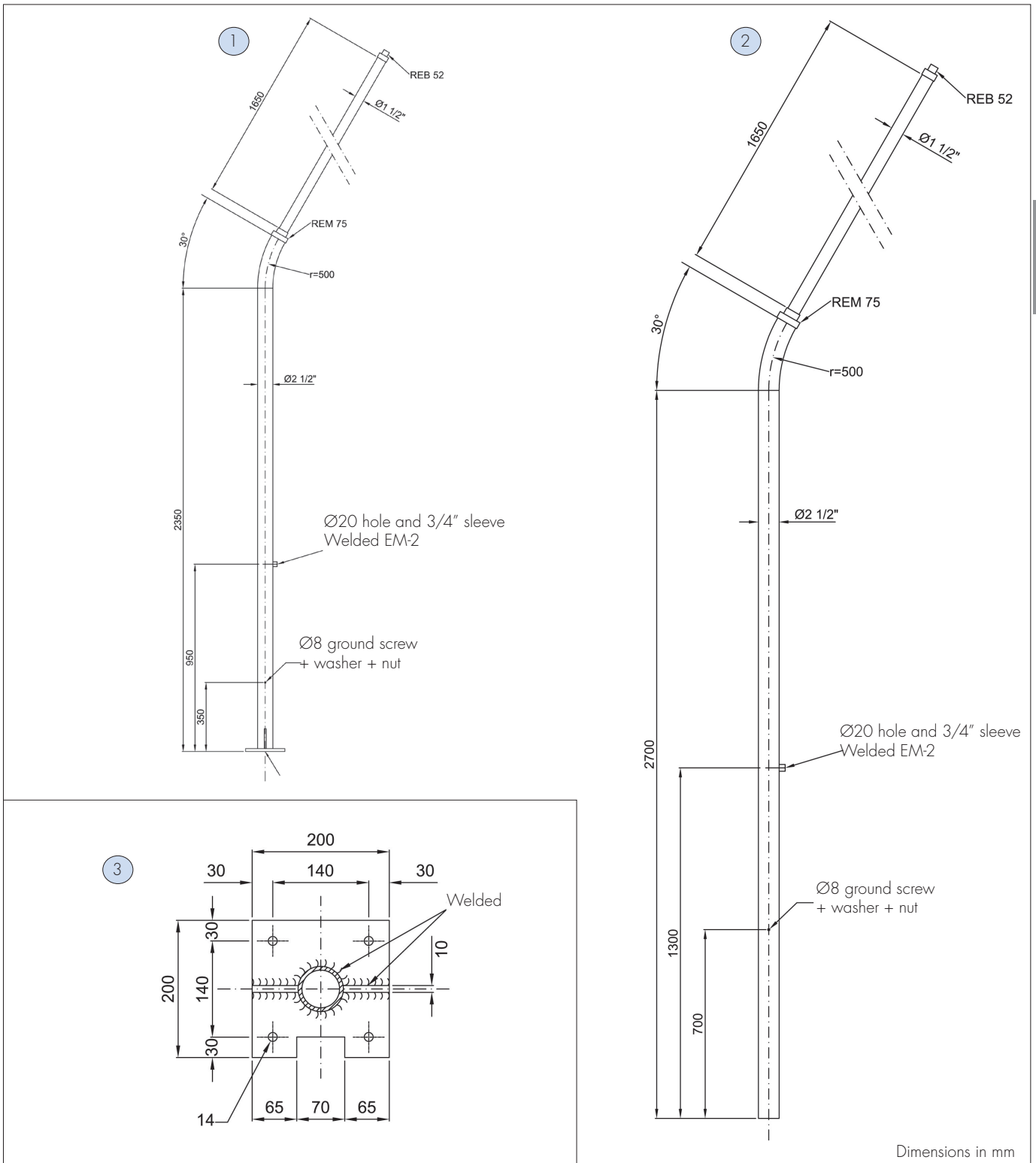
Dimensions in mm

CODE	DESCRIPTION
PAL-11	Pole supplied with welded plate and bolts
PAL-12	Pole supplied with welded plate and baseplate





POLE FOR MOUNTING  
FLFE, EXEN, EVF.E, EVFD, EXEL, FLF, AVN LIGHTING FIXTURES



Paline

CODE	DESCRIPTION
PAL-13	Pole supplied with welded plate and baseplate (see fig.1-3)
PAL-14	Pole (see fig.2)