

Cable gland series NAV for non-armoured cables from 3/8" to 4"

NAV series cable glands are suitable for use in hazardous areas with danger of explosion to enable direct insertion of non-armoured cables into explosion-proof junction boxes, lighting fixtures, plugs and sockets, etc. Thanks to their structure, they are particularly suitable both in harsh application, such as marine one, and places subjected to stress and mechanical shock as it often happens in all those places of the "heavy" industry where safety is a top priority. They are provided with one sealing ring which tightens the incoming cable ensuring the 'Ex d' way of protection and the IP 66/68. The result is a cable gland which provides maximum performance in terms of reliability and safety over time, is compatible with a wide range of the main, commercially available cables, and complies with the most recent applicable regulations.



Classification: 2014/34/EU	Group II	Category 2GD/3G
Installation: EN 60079.14	zone 1 - zone 2 (Gas)	zone 21 - zone 22 (Dust)
Marking:	CE 0722 (Ex) II 2 GD - Ex db IIC Gb - Ex eb IIC Gb II 2 D - Ex tb IIC Db II 3G Ex nR IIC Gc - IP66/68	
Certification:	ATEX (category 2):	IMQ 17 ATEX 016X
	ATEX (category 3):	IMQ 17 ATEX 017X
	IEC Ex IECEx IMQ 17.0010X	All IEC Ex and TR CU certification data
	TR CU AVAILABLE	contact comm@antideflagranti.gce.com
Standards:	CENELEC EN 60079-0: 2012+A11:2013, EN 60079-1: 2016, EN 60079-7: 2015, EN 60079-15: 2012, EN 60079-31: 2015 and EUROPEAN DIRECTIVE 2014/34/EU IEC60079-0: 2011 IEC60079-1: 2014 IEC60079-7: 2015 IEC60079-15: 2015 IEC60079-31: 2013 RoHS Directive 2002/95/EC	
Operating temperature:	-60 °C +130 °C	
Protection rating:	IP66/68 (30 metres - 12 hours)	
Design	BS 6121: Part 1:1989, IEC 62444, EN 62444	

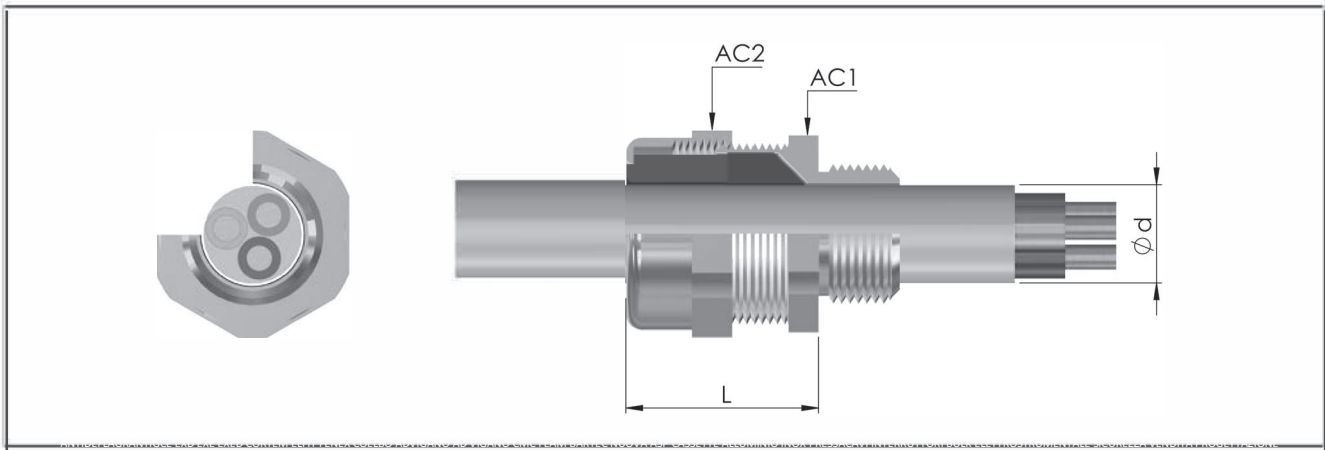
ACCESSORIES UPON REQUEST

Locknuts	ISO thread	Nickel-plated brass	Galvanized steel	Stainless steel	Sealing ring for flat/healing cables	Black IPV protector	CG	Code
	M16x1,5	DL01IB	DL01IG	DL01IS			NAV01NB	PGA1F
	M20x1,5	DL11IB	DL11IG	DL11IS			NAV1SNB	PGA1N
	M25x1,5	DL21IB	DL21IG	DL21IS			NAV1NB	PGA1
	M32x1,5	DL31IB	DL31IG	DL31IS			NAV2NB	PGA2N
	M40x1,5	DL41IB	DL41IG	DL41IS			NAV3NB	PGA4
	M50x1,5	DL51IB	DL51IG	DL51IS			NAV4NB	PGA4
	M63x1,5	DL61IB	DL61IG	DL61IS			NAV5SNB	PGA5
	M75x1,5	DL71IB	DL71IG	DL71IS			NAV5NB	PGA5N
	M90x1,5	DL81IB	DL81IG	DL81IS			NAV6SNB	PGA6
	M100x1,5	DL10IB	DL10IG	DL10IS			NAV6NB	PGA6
M115x1,5	DL115IB	DL115IG	DL115IS	NAV7SNB	PGA7			
Nickel-plated brass earthing rings	ISO thread	Nickel-plated brass	Stainless steel	Serrated stainless steel lock washers	Code	Adapters and reducers of the RE... series	NAV7NB	GTR7 Heat shrinkable
	M16x1,5	A0131B	A0131S		RDI01S/A4		NAV8NB	
	M20x1,5	A1311B	A1311S		RDI1S/A4		NAV9NB	
	M25x1,5	A2312B	A2312S		RDI2S/A4		NAV10NB	
	M32x1,5	A3313B	A3313S		RDI3S/A4			
	M40x1,5	A4314B	A4314S		RDI4S/A4			
	M50x1,5	A5315B	A5315S		RDI5S/A4			
	M63x1,5	A6316B	A6316S		RDI6S/A4			
	M75x1,5	A731B	A731S					
	M90x1,5	A831B	A831S					
M100x1,5	A10310IB	A10310IS						
M115x1,5	A1031B	A1031S						

* For different threads, contact the sales department.

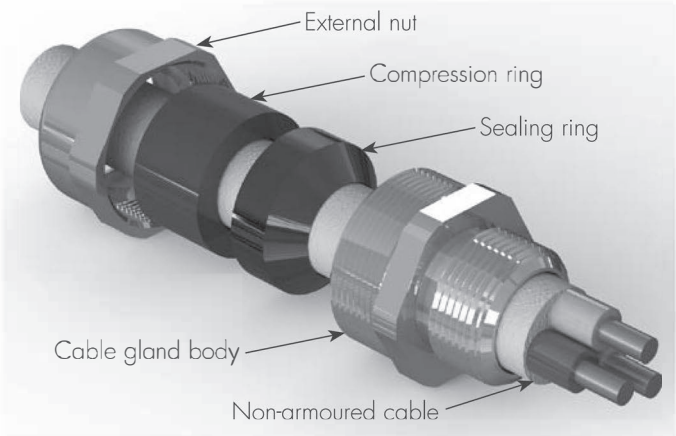
comm@antideflagranti.gce.com



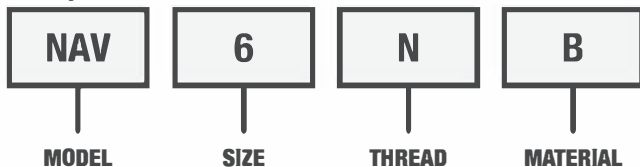


CABLE GLAND SELECTION TABLE

Code Nickel-plated brass	Thread	Code Nickel-plated brass	Thread	Dimensions in mm			Range	Weight
				AC1	AC2	L	Ød min-max Outer sheath of the cable	Kg
NAV01NB	3/8" NPT	NAV16IB	M16x1,5	24	24	34	3.5 - 8.6	0,086
NAV1SNB	1/2" NPT	NAV20SIB	M20x1,5	24	26	34	6.3 - 11.6	0,093
NAV1NB	1/2" NPT	NAV20IB	M20x1,5	30	32	37	6.5 - 14	0,126
NAV2NB	3/4" NPT	NAV25IB	M25x1,5	36	38	37	11 - 20	0,153
NAV3NB	1" NPT	NAV32IB	M32x1,5	45	47	40	17 - 27	0,232
NAV4NB	1 1/4" NPT	NAV40IB	M40x1,5	50	52	40	22 - 32	0,295
NAV5SNB	1 1/2" NPT	NAV50SIB	M50x1,5	55	57	43	29.5 - 38	0,374
NAV5NB	2" NPT	NAV50IB	M50x1,5	60	62	43	35.5 - 44	0,329
NAV6SNB	2" NPT	NAV63SIB	M63x1,5	68	77	51	40 - 50	0,753
NAV6NB	2 1/2" NPT	NAV63IB	M63x1,5	73	77	52	47 - 56	0,732
NAV7SNB	2 1/2" NPT	NAV75SIB	M75x1,5	80	82	55	53 - 62	0,714
NAV7NB	3" NPT	NAV75IB	M75x1,5	85	90	56	59 - 68	0,627
NAV8NB	3" NPT	NAV90IB	M90x1,5	100	110	59	66 - 79	1,384
NAV9NB	3 1/2" NPT	NAV100IB	M100x1,5	115	120	62	76 - 91	1,316
NAV10NB	4" NPT	NAV115IB	M115x1,5	120	130	62	86 - 98	1,937



Sample order code



TECHNICAL NOTES:

- Silicone o-rings are supplied for cylindrical threads (ISO metric) for the pre-assembled IP seal on the cable gland
- The ISO7/1 thread version is available upon request (sample code NAV1B)
- Also available in stainless steel (sample code NAV1S)
- Other materials on request
- For "Ex i" intrinsic safety version, RAL 5015 blue nut (sample code NAV1IA)

Cable glands series NAVF for non-armoured cable with female entry

NAVF series cable glands, with a female threaded outlet fitting, are suitable for use in areas with the risk of explosion, allowing the direct insertion of non-armoured cables in explosion proof enclosures, light fixtures, outlets, plugs, etc. Their structure makes them suitable for environments which are particularly difficult, such as marine environments, or where there are subjected to the mechanical stresses and impacts which often occur in heavy industry, where safety is the utmost priority. They are supplied with a sealing ring which is stretched over the cable at the inlet, ensuring 'Ex d' execution and an IP66/68 protection rating. The result is a cable gland which provides maximum performance, long-term reliability and safety, is compatible with a wide range of the main, commercially available cables, and complies with the most recent applicable regulations.



Classification: 2014/34/EU	Group II	Category 2GD/3G
Installation: EN 60079.14	zone 1 - zone 2 (Gas)	zone 21 - zone 22 (Dust)
Marking:	CE 0722 (Ex) II 2 GD - Ex db IIC Gb - Ex eb IIC Gb II 2 D - Ex tb IIC Db II 3G Ex nR IIC Gc - IP66/68	
Certification:	ATEX (category 2): IMQ 17 ATEX 016X	
	ATEX (category 3): IMQ 17 ATEX 017X	
	IEC Ex	IECEx IMQ 17.0010X <small>All IEC Ex and TR CU certification data</small>
	TR CU	AVAILABLE <small>contact comm@antideflagranticge.com</small>
Standards:	CENELEC EN 60079-0: 2012+A11:2013, EN 60079-1: 2016, EN 60079-7: 2015, EN 60079-15: 2012, EN 60079-31: 2015 and EUROPEAN DIRECTIVE 2014/34/EU IEC60079-0: 2011 IEC60079-1: 2014 IEC60079-7: 2015 IEC60079-15: 2015 IEC60079-31: 2013 RoHS Directive 2002/95/EC	
Operating temperature:	-60 °C +130 °C	
Protection rating:	IP66/68 (30 metres - 12 hours)	
Design	BS 6121: Part 1:1989, IEC 62444, EN 62444	

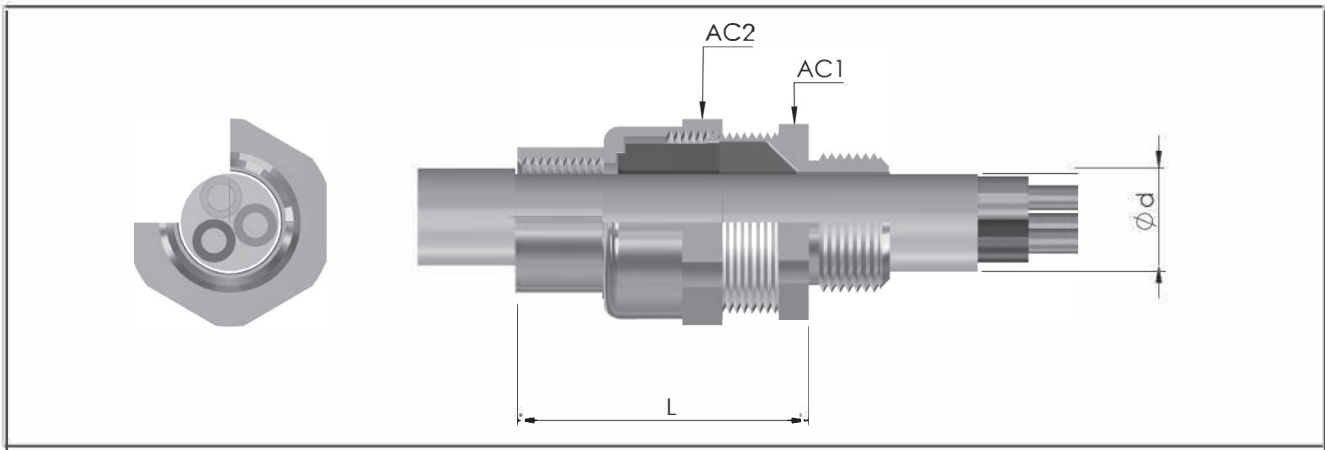
ACCESSORIES UPON REQUEST

Locknuts	ISO thread	Nickel-plated brass	Galvanized steel	Stainless steel	Sealing ring for flat/healing cables	
	M16x1,5	DL01IB	DL01IG	DL01IS		
	M20x1,5	DL11IB	DL11IG	DL11IS		
	M25x1,5	DL21IB	DL21IG	DL21IS		
	M32x1,5	DL31IB	DL31IG	DL31IS		
	M40x1,5	DL41IB	DL41IG	DL41IS		
	M50x1,5	DL51IB	DL51IG	DL51IS		
	M63x1,5	DL61IB	DL61IG	DL61IS		
	M75x1,5	DL71IB	DL71IG	DL71IS		
	M90x1,5	DL81IB	DL81IG	DL81IS		
	M100x1,5	DL10IB	DL10IG	DL10IS		
M115x1,5	DL115IB	DL115IG	DL115IS			
Nickel-plated brass earthing rings	ISO thread	Nickel-plated brass	Stainless steel	Serrated stainless steel lock washers	Code	Adapters and reducers of the RE... series
	M16x1,5	A0131B	A0131S		RD101S/A4	
	M20x1,5	A1311B	A1311S		RD11S/A4	
	M25x1,5	A2312B	A2312S		RD12S/A4	
	M32x1,5	A3313B	A3313S		RD13S/A4	
	M40x1,5	A4314B	A4314S		RD14S/A4	
	M50x1,5	A5315B	A5315S		RD15S/A4	
	M63x1,5	A6316B	A6316S		RD16S/A4	
	M75x1,5	A731B	A731S			
	M90x1,5	A831B	A831S			
M100x1,5	A103110IB	A103110IS				
M115x1,5	A1031B	A1031S				

* For different threads, contact the sales department.

comm@antideflagranticge.com

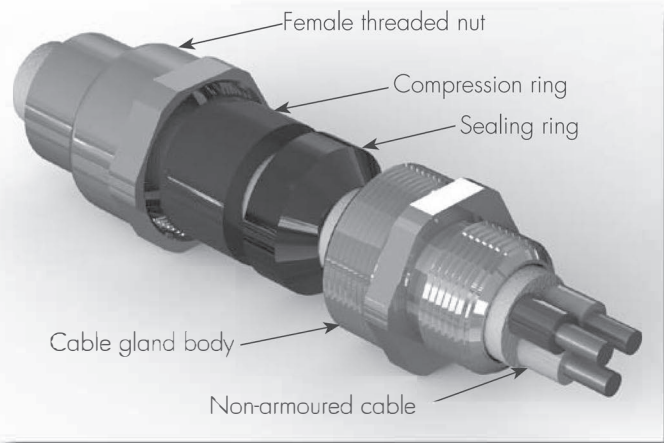
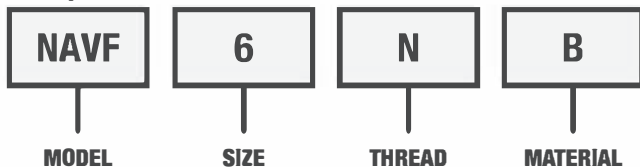




CABLE GLAND SELECTION TABLE

Code Nickel-plated brass	Thread	Code Nickel-plated brass	Thread	Dimensions in mm			Range	Weight
				AC1	AC2	L	Ød min-max Outer sheath of the cable	Kg
NAVF01NB	3/8" NPT	NAVF16IB	M16x1,5	24	24	53	3.5 - 8.6	0,107
NAVF1SNB	1/2" NPT	NAVF20SIB	M20x1,5	24	26	53	6.3 - 11.6	0,120
NAVF1NB	1/2" NPT	NAVF20IB	M20x1,5	30	32	56	6.5 - 14	0,155
NAVF2NB	3/4" NPT	NAVF25IB	M25x1,5	36	38	56	11 - 20	0,212
NAVF3NB	1" NPT	NAVF32IB	M32x1,5	45	47	59	17 - 27	0,276
NAVF4NB	1 ¼" NPT	NAVF40IB	M40x1,5	50	52	59	22 - 32	0,365
NAVF5SNB	1 ½" NPT	NAVF50SIB	M50x1,5	55	57	63	29.5 - 38	0,482
NAVF5NB	2" NPT	NAVF50IB	M50x1,5	60	62	63	35.5 - 44	0,428
NAVF6SNB	2" NPT	NAVF63SIB	M63x1,5	68	77	74	40 - 50	0,981
NAVF6NB	2 ½" NPT	NAVF63IB	M63x1,5	73	77	75	47 - 56	0,741
NAVF7SNB	2 ½" NPT	NAVF75SIB	M75x1,5	80	82	77	53 - 62	0,835
NAVF7NB	3" NPT	NAVF75IB	M75x1,5	85	90	78	59 - 68	0,934
NAVF8NB	3" NPT	NAVF90IB	M90x1,5	100	110	88	66 - 79	1,883
NAVF9NB	3 ½" NPT	NAVF100IB	M100x1,5	115	120	92	76 - 91	1,993
NAVF10NB	4" NPT	NAVF115IB	M115x1,5	120	130	92	86 - 98	2,332

Sample order code



TECHNICAL NOTES:

- Silicone o-rings are supplied for cylindrical threads (ISO metric) for the pre-assembled IP seal on the cable gland
- The ISO7/1 thread version is available upon request (sample code NAVF1B)
- Also available in stainless steel (sample code NAVF1S)
- Other materials on request
- For "Ex i" intrinsic safety version, RAL 5015 blue nut (sample code NAVF1IA)

Cable glands series NAVN for non-armoured cable with male entry

NAVN series cable glands, with a male outlet fitting, are suitable for use in areas with the risk of explosion, allowing the direct insertion of non-armoured cables in explosion proof enclosures, light fixtures, outlets, plugs, etc. Their structure makes them suitable for environments which are particularly difficult, such as marine environments, or where there are subjected to the mechanical stresses and impacts which often occur in heavy industry, where safety is the utmost priority. They are supplied with a sealing ring which is stretched over the cable at the inlet, ensuring 'Ex d' execution and an IP66/68 protection rating. The result is a cable gland which provides maximum performance, long-term reliability and safety, is compatible with a wide range of the main, commercially available cables, and complies with the most recent applicable regulations.



Classification: 2014/34/EU	Group II	Category 2GD/3G
Installation: EN 60079.14	zone 1 - zone 2 (Gas)	zone 21 - zone 22 (Dust)
Marking:	CE 0722 (Ex) II 2 GD - Ex db IIC Gb - Ex eb IIC Gb II 2 D - Ex tb IIC Db II 3G Ex nR IIC Gc - IP66/68	
Certification:	ATEX (category 2):	IMQ 17 ATEX 016X
	ATEX (category 3):	IMQ 17 ATEX 017X
	IEC Ex IECEx IMQ 17.0010X	All IEC Ex and TR CU certification data
	TR CU AVAILABLE	contact comm@antideflagranticge.com
Standards:	CENELEC EN 60079-0: 2012+A11:2013, EN 60079-1: 2016, EN 60079-7: 2015, EN 60079-15: 2012, EN 60079-31: 2015 and EUROPEAN DIRECTIVE 2014/34/EU IEC60079-0: 2011 IEC60079-1: 2014 IEC60079-7: 2015 IEC60079-15: 2015 IEC60079-31: 2013 RoHS Directive 2002/95/EC	
Operating temperature:	-60 °C +130 °C	
Protection rating:	IP66/68 (30 metres - 12 hours)	
Design	BS 6121: Part 1:1989, IEC 62444, EN 62444	



ACCESSORIES UPON REQUEST

Locknuts	ISO thread	Nickel-plated brass	Galvanized steel	Stainless steel	Sealing ring for flat/healing cables
	M16x1,5	DL01IB	DL01IG	DL01IS	
	M20x1,5	DL1IB	DL1IG	DL1IS	
	M25x1,5	DL2IB	DL2IG	DL2IS	
	M32x1,5	DL3IB	DL3IG	DL3IS	
	M40x1,5	DL4IB	DL4IG	DL4IS	
	M50x1,5	DL5IB	DL5IG	DL5IS	
	M63x1,5	DL6IB	DL6IG	DL6IS	
	M75x1,5	DL7IB	DL7IG	DL7IS	
	M90x1,5	DL8IB	DL8IG	DL8IS	
	M100x1,5	DL10IB	DL10IG	DL10IS	
M115x1,5	DL115IB	DL115IG	DL115IS		

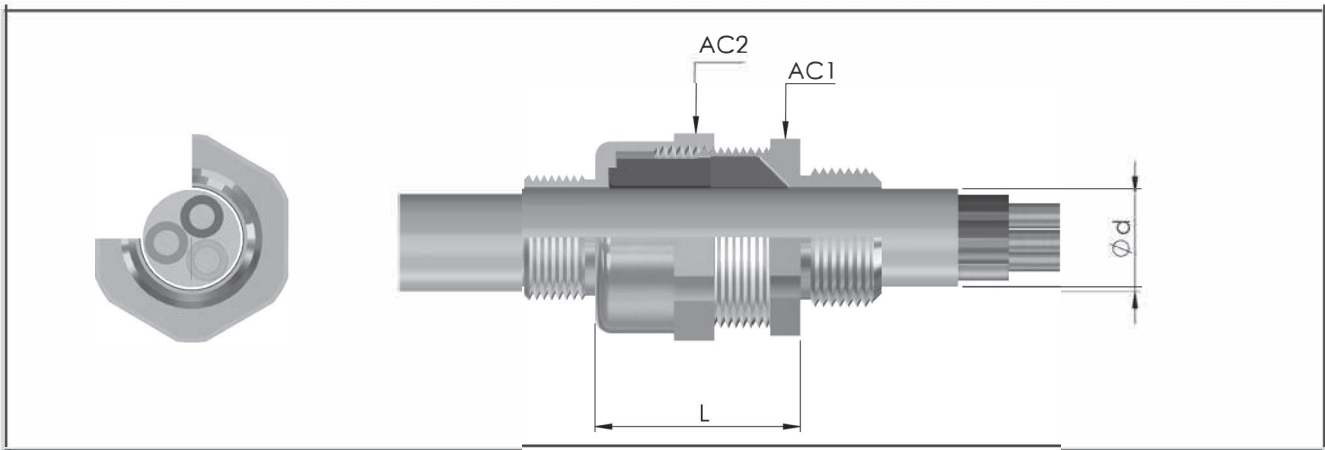
Code and dimensions are in the page pagina A.12

Nickel-plated brass earthing rings	ISO thread	Nickel-plated brass	Stainless steel	Serrated stainless steel lock washers	Code	Adapters and reducers of the RE... series
	M16x1,5	A0131B	A0131S		RD101S/A4	
	M20x1,5	A1311B	A1311S		RD11S/A4	
	M25x1,5	A2312B	A2312S		RD12S/A4	
	M32x1,5	A3313B	A3313S		RD13S/A4	
	M40x1,5	A4314B	A4314S		RD14S/A4	
	M50x1,5	A5315B	A5315S		RD15S/A4	
	M63x1,5	A6316B	A6316S		RD16S/A4	
	M75x1,5	A731B	A731S			
	M90x1,5	A831B	A831S			
	M100x1,5	A10310IB	A10310IS			
	M115x1,5	A1031B	A1031S			

* For different threads, contact the sales department.

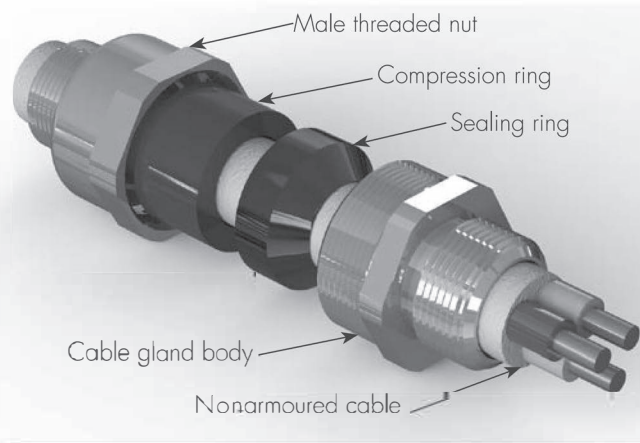
comm@antideflagranticge.com



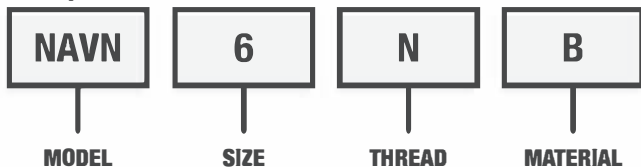


CABLE GLAND SELECTION TABLE

Code Nickel-plated brass	Thread	Code Nickel-plated brass	Thread	Dimensions in mm			Range	Weight
				AC1	AC2	L	Ød min-max Outer sheath of the cable	Kg
NAVN01NB	3/8" NPT	NAVN16IB	M16x1,5	24	24	53	3.5 - 8.6	0,105
NAVN1SNB	1/2" NPT	NAVN20SIB	M20x1,5	24	26	53	6.3 - 11.6	0,122
NAVN1NB	1/2" NPT	NAVN20IB	M20x1,5	30	32	56	6.5 - 14	0,150
NAVN2NB	3/4" NPT	NAVN25IB	M25x1,5	36	38	56	11 - 20	0,192
NAVN3NB	1" NPT	NAVN32IB	M32x1,5	45	47	59	17 - 27	0,264
NAVN4NB	1 ¼" NPT	NAVN40IB	M40x1,5	50	52	59	22 - 32	0,360
NAVN5SNB	1 ½" NPT	NAVN50SIB	M50x1,5	55	57	63	29.5 - 38	0,486
NAVN5NB	2" NPT	NAVN50IB	M50x1,5	60	62	63	35.5 - 44	0,392
NAVN6SNB	2" NPT	NAVN63SIB	M63x1,5	68	77	74	40 - 50	1,034
NAVN6NB	2 ½" NPT	NAVN63IB	M63x1,5	73	77	75	47 - 56	0,715
NAVN7SNB	2 ½" NPT	NAVN75SIB	M75x1,5	80	82	77	53 - 62	0,984
NAVN7NB	3" NPT	NAVN75IB	M75x1,5	85	90	78	59 - 68	0,948
NAVN8NB	3" NPT	NAVN90IB	M90x1,5	100	110	88	66 - 79	1,804
NAVN9NB	3 ½" NPT	NAVN100IB	M100x1,5	115	120	92	76 - 91	1,858
NAVN10NB	4" NPT	NAVN115IB	M115x1,5	120	130	92	86 - 98	2,779



Sample order code



TECHNICAL NOTES:

- Silicone o-rings are supplied for cylindrical threads (ISO metric) for the pre-assembled IP seal on the cable gland
- The ISO7/1 thread version is available upon request (sample code NAVN1B)
- Also available in stainless steel (sample code NAVN1S)
- Other materials on request
- For "Ex i" intrinsic safety version, RAL 5015 blue nut (sample code NAVN1IA)

Cable glands for non-armoured cables: Sealing ring for flat / heating cables



Cable gland type		E	F	Code
NAV..01N..	NAV..16I..	7.7	5.5	H01-567
NAV..1SN..	NAV..20SI..	7.7	5.5	H1S-567/1
NAV..1SN..	NAV..20SI..	8.7	3.5	H1S-567/2
NAV..1SN..	NAV..20SI..	9.7	4.1	H1S-567/3
NAV..1SN..	NAV..20SI..	10.2	4.1	H1S-567/4
NAV..1SN..	NAV..20SI..	10.7	4.6	H1S-567/5
NAV..1SN..	NAV..20SI..	10.7	5.1	H1S-567/6
NAV..1SN..	NAV..20SI..	10.7	6.1	H1S-567/7
NAV..1N..	NAV..20I..	7.7	5.5	H1-567/1
NAV..1N..	NAV..20I..	8.7	3.5	H1-567/2
NAV..1N..	NAV..20I..	9.7	4.1	H1-567/3
NAV..1N..	NAV..20I..	10.2	4.1	H1-567/4
NAV..1N..	NAV..20I..	10.7	4.6	H1-567/5
NAV..1N..	NAV..20I..	10.7	5.1	H1-567/6
NAV..1N..	NAV..20I..	10.7	6.1	H1-567/7
NAV..1N..	NAV..20I..	11.7	5.6	H1-567/8
NAV..2N..	NAV..25I..	7.7	5.5	H2-567/1
NAV..2N..	NAV..25I..	8.7	3.5	H2-567/2
NAV..2N..	NAV..25I..	9.7	4.1	H2-567//3
NAV..2N..	NAV..25I..	10.2	4.1	H2-567/4
NAV..2N..	NAV..25I..	10.7	4.6	H2-567/5
NAV..2N..	NAV..25I..	10.7	5.1	H2-567/6
NAV..2N..	NAV..25I..	10.7	6.1	H2-567/7
NAV..2N..	NAV..25I..	11.7	5.6	H2-567/8

