

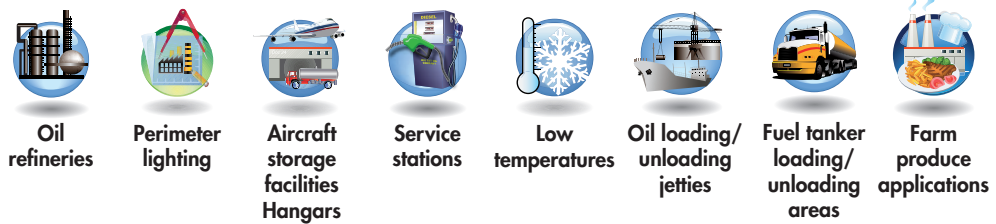
# TIGER series Rectangular floodlights



TIGER series floodlights have been manufactured and tested in compliance with European standards for use in hazardous areas classified as Zone 2 due to the presence of gases and as Zone 21, 22 for the presence of dusts. When fitted with a symmetrical internal reflector, they are ideal for lighting large areas and when fitted with an asymmetrical reflector they provide a concentrated beam of light exactly where it is required. Their IP66 degree of protection and excellent performance at high (+60°C) and low (-50°C) temperatures makes TIGER floodlights ideal for all those settings where climatic conditions are extreme. Wiring is greatly facilitated by the use of specially designated terminals that speed up installation and prevent wrong connections. The electrical components are easily accessed (ballast, capacitor, igniter) and are pre-wired to the terminal board this reducing maintenance time and installation costs.

Ex n

## Application sectors:



## CERTIFICATION DATA

Classification:

Group II

Category 3GD

Installation: EN 60079.14

zone 2 (Gas)

zone 22 (Dust)

zone 21  
(for IECEx, TR CU e INMETRO)

Marking:

CE 0722 Ex II 3GD Ex nR IIC T3, T2 Gc; Ex tc IIIC T145°C ÷ T210°C Dc IP66

Certification:

ATEX CESI 06 ATEX 054

IEC Ex ITS 12.0004X

TR CU AVAILABLE

All IEC Ex and TR CU certification data  
comm@antideflagrantiige.com

Standards:

CENELEC EN 60079-0: 2012, EN 60079-15: 2010, EN60079-31: 2009, EN 60529:1991 and EUROPEAN DIRECTIVE 2014/34/UE  
IEC 60079-0: 2011, IEC 60079-15: 2010, IEC 60079-31: 2008, IEC 60529: 2001  
European Directive 2006/95 Low voltage  
European Directive 2004/108 Electromagnetic compatibility  
European Directive 2003/108 WEEE Waste electrical and electronic equipment  
European Directive 2011/64 RoHS

Class temperature:

300°C (T2)

200°C (T3)

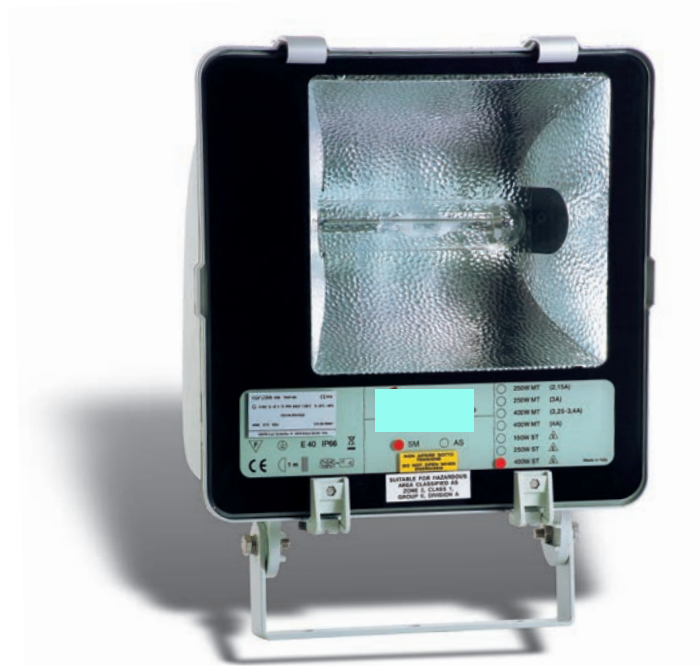
Ambient temperature:

Standard  
-25°C +60°C

Special  
-50°C +60°C

Degree of protection:

IP66



ORIGINAL PRODUCT

## MECHANICAL FEATURES

<b>Body:</b>	Die-cast aluminium (EN AB 46100)
<b>Glass:</b>	Tempered to withstand shock and high temperatures
<b>Gaskets:</b>	Acid, hydrocarbon and high temperature resistant silicone
<b>Internal reflector:</b>	Symmetrical and asymmetrical (see photometric diagrams) in 99.85 oxidised, polished aluminium
<b>Supporting bracket:</b>	5 mm galvanised steel with index for tracking goniometer
<b>Mounting:</b>	2 x Ø11 and 1 x Ø13 holes mm
<b>Bolts and screws:</b>	Stainless steel
<b>Locking mechanism:</b>	Aluminium clips
<b>Hinge:</b>	Stainless steel
<b>Entries:</b>	1xISO M20 entry. Floodlight fixture complete with cable gland for non armoured cable
<b>Coating:</b>	Polyester Ral 7035 (Light grey)

## ELECTRICAL FEATURES


<b>Lamp holder:</b>	E40 ceramic
<b>Rated voltage:</b>	230 V AC
<b>Rated frequency:</b>	50 Hz
<b>Connection:</b>	Direct connection to the terminal board L, N, Pe. Section 4mm <sup>2</sup>
<b>Power factor:</b>	0.90

## ACCESSORIES AVAILABLE / SPECIAL REQUESTS

Discharge lamp  
 Rated voltage: 277 V 60 Hz (code TIGER-400HA/**277**)  
 Rated voltage: 480 V 50 Hz (code TIGER-400HA/**480**)  
 Rated frequency: 60 Hz at 230 V (code TIGER-400HA/**60**)  
 Loop in / loop out on request  
 Other voltages available on request

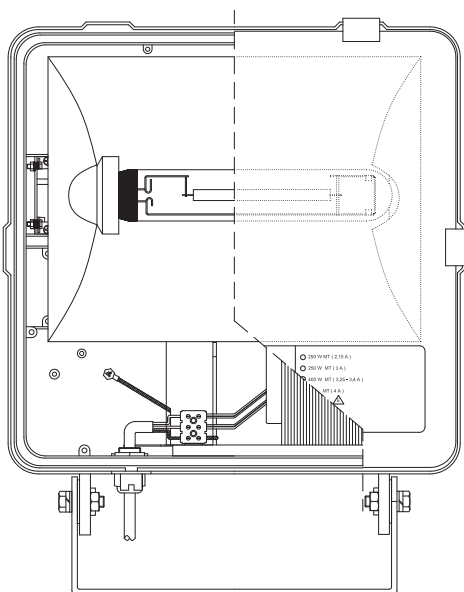
# TIGER series selection chart



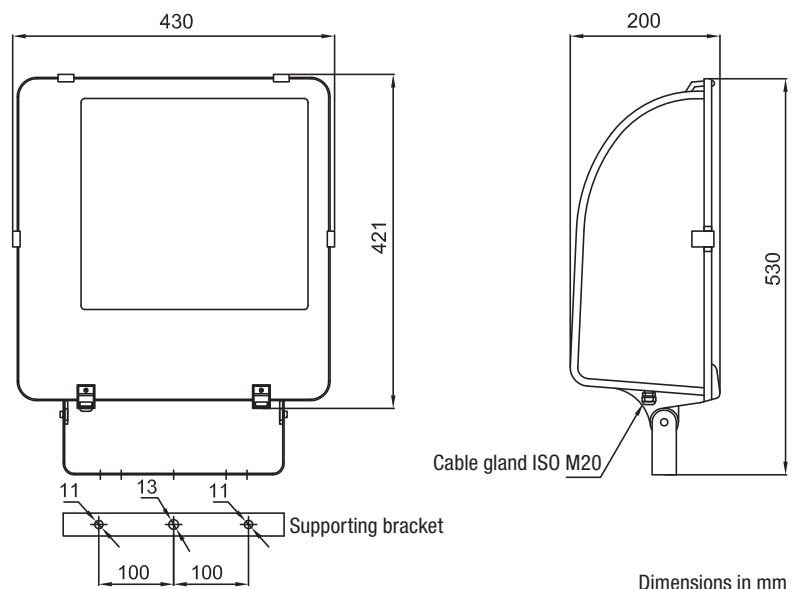
Code	Lamp type	Reflector	Watt	Class T.a. +55°C	Max surface temperature °C	Weight kg	 mm
<b>TIGER-150NA</b>	high pressure sodium	Symmetrical	150	T3	160	9	480x440x220
<b>TIGER-150NAAS</b>	high pressure sodium	Asymmetrical	150	T3	160	9	480x440x220
<b>TIGER-250NA</b>	high pressure sodium	Symmetrical	250	T3	160	10,2	480x440x220
<b>TIGER-250NAAS</b>	high pressure sodium	Asymmetrical	250	T3	160	10,2	480x440x220
<b>TIGER-400NA</b>	high pressure sodium	Symmetrical	400	T3-T2	189-210	11,5	480x440x220
<b>TIGER-400NAAS</b>	high pressure sodium	Asymmetrical	400	T3-T2	189-210	11,5	480x440x220
<b>TIGER-250HA</b>	metal halide	Symmetrical	250	T2	160	10,2	480x440x220
<b>TIGER-250HAAS</b>	metal halide	Asymmetrical	250	T2	160	10,2	480x440x220
<b>TIGER-400HA</b>	metal halide	Symmetrical	400	T3-T2	189-210	10,2	480x440x220
<b>TIGER-400HAAS</b>	metal halide	Asymmetrical	400	T3-T2	189-210	10,2	480x440x220

Ex n

INTERNAL VIEW



DIMENSIONAL DRAWING



**DON'T FORGET TO ORDER THE ACCESSORIES**

Example: Floodlight model  
TIGER-250NA

+

Lamp  
LAMPNAV250W

+

other... see key





Ex n

ILLUSTRATION	DESCRIPTION	MODEL	FEATURES	CODE	KEY
	High pressure sodium vapour lamp	E40	150 W (ST150W)	LAMPNAV150WPLU	 
			250 W (ST250W)	LAMPNAV250WPLU	
			400 W (ST400W)	LAMPNAV400WPLU	
	Metal halide lamp	E40	230 W (MT250W)	LAMP230WJMT	 
			360 W (MT400W)	LAMP360WJMT	
	Supporting bracket		Material: galvanised steel	000040877	
	Non-armoured cable gland kit with rubbers, seal and lock nut	ISO M20	Ex e II IP 66/68 (std. cable range 7÷12)		
	Front ring with glass and hinges		Material: tempered glass	G-0563	



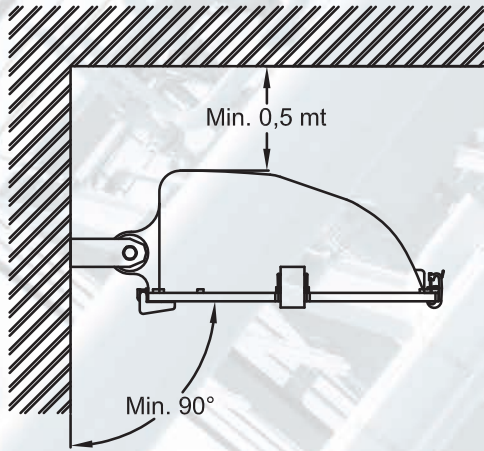
ILLUSTRATION	DESCRIPTION	MODEL	FEATURES	CODE	KEY
	Lamp holder	E40	750W 16A	PORT E-40	
	Sodium vapour and metal halide ballast	150 W	230V 50 Hz	R-150 NA	
		250W		R-250 NA	
		400W		R-400 NA	
	Capacitor for metal halide	250W	20 $\mu$ F 250V	F-30	
		400W	40 $\mu$ F 250V	F-40	
	Capacitor for sodium vapour	250W	35 $\mu$ F 250V	F-35	
		400W	50 $\mu$ F 250V	F-50	
	Igniter	150 W 250 W 400 W		R 100	

Ex n

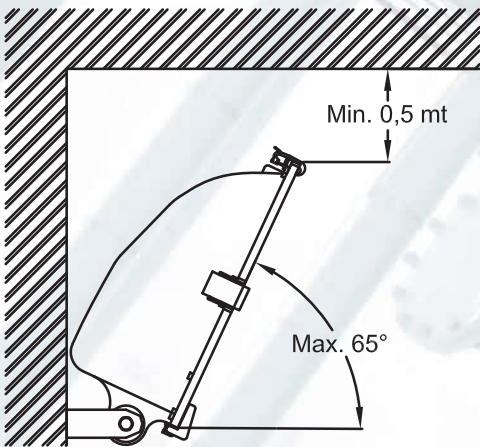
[comm@antideflagranti.com](mailto:comm@antideflagranti.com)



At the maximum ambient temperature  $T.a.+60^{\circ}\text{C}$ , the temperature class and max surface temp of TIGER-400 model floodlights depends on the installation conditions.

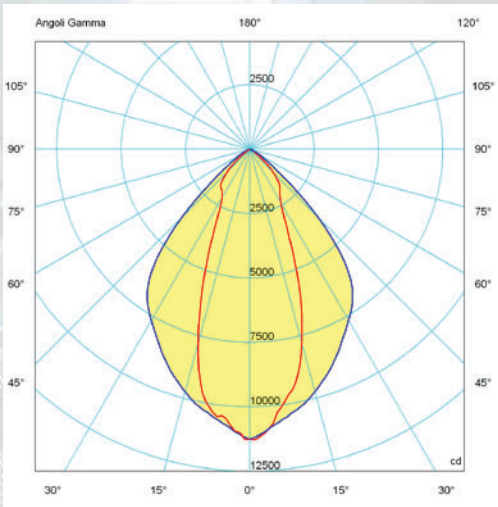


Temperature classes for floodlights installed at 180°		
LAMP	45° C	60°C
150 W	T3	T3
250 W	T3	T3
400 W	T3	T2

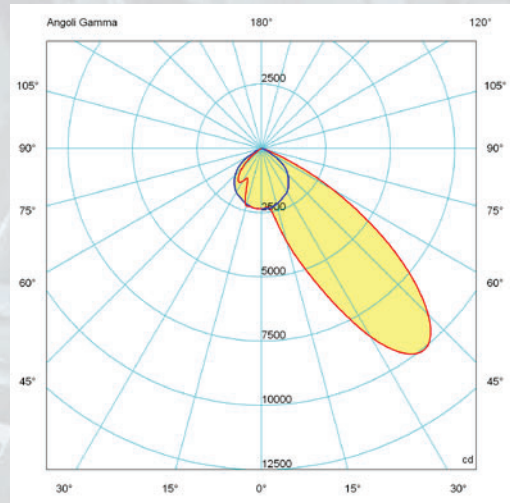


Temperature classes for floodlights installed at other angles		
LAMP	45° C	60°C
150 W	T3	T3
250 W	T3	T3
400 W	T3	T3

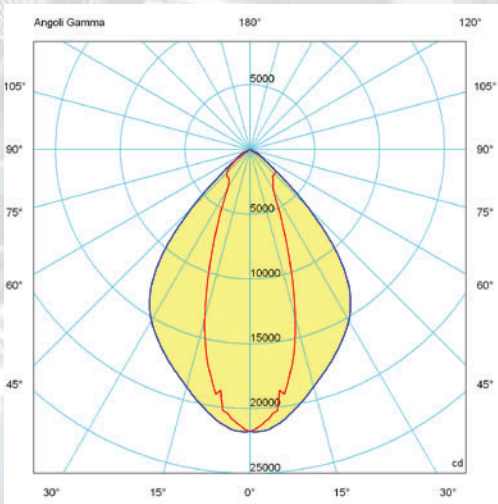




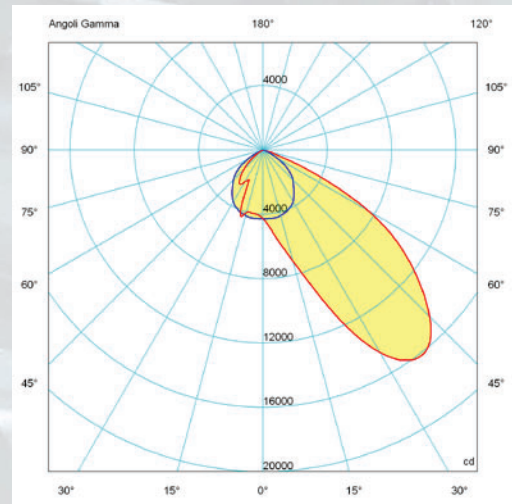
**TIGER SYMMETRICAL 150W SODIUM**



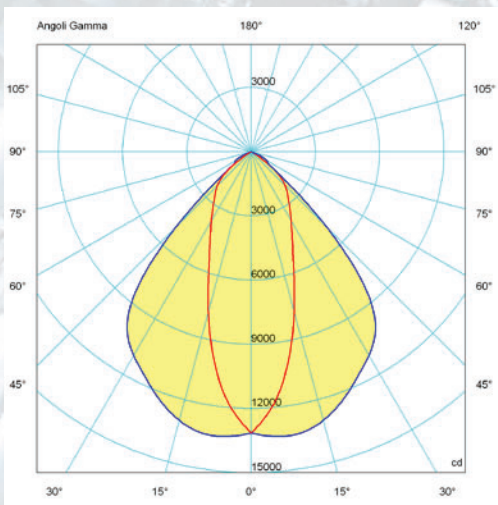
**TIGER ASYMMETRICAL 150W SODIUM**



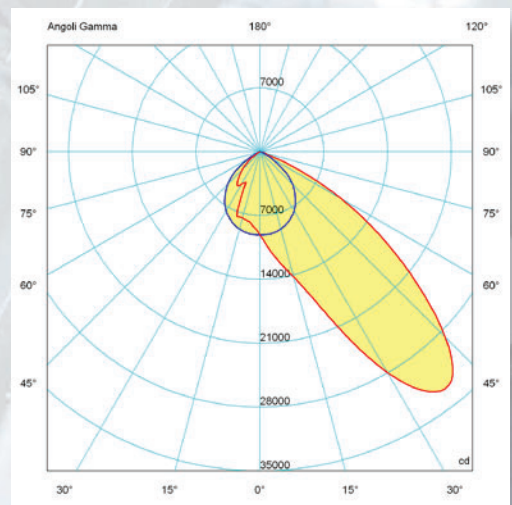
**TIGER SYMMETRICAL 250W SODIUM**



**TIGER ASYMMETRICAL 250W SODIUM**



**TIGER SYMMETRICAL 400W SODIUM**



**TIGER ASYMMETRICAL 400W SODIUM**

— = plane 90270  
 — = plane C 0180